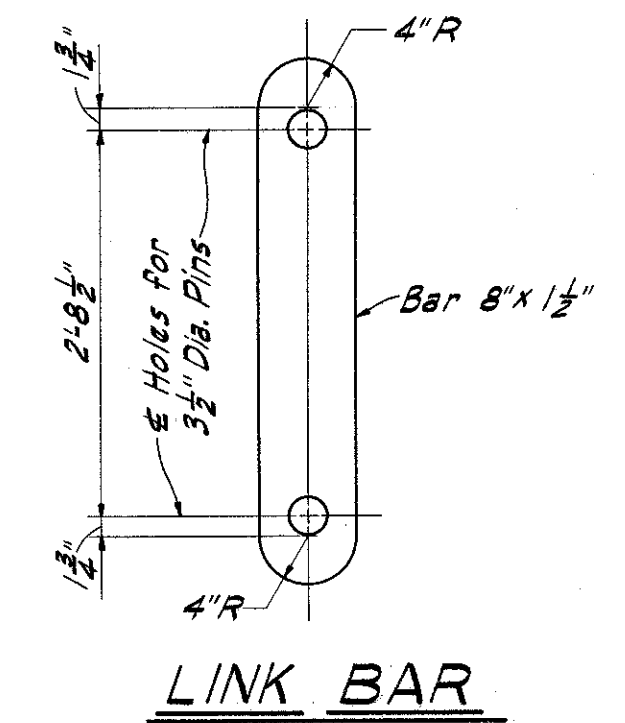
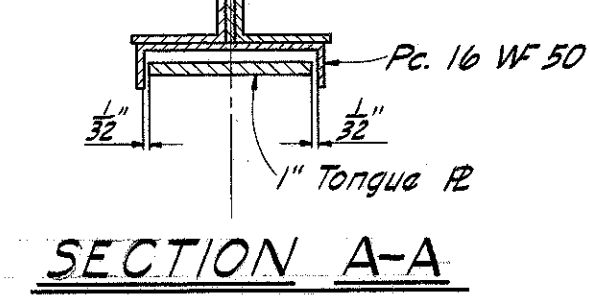


**GIRDERS G5-G8  
FIXED HINGE TO PIER NO.1**

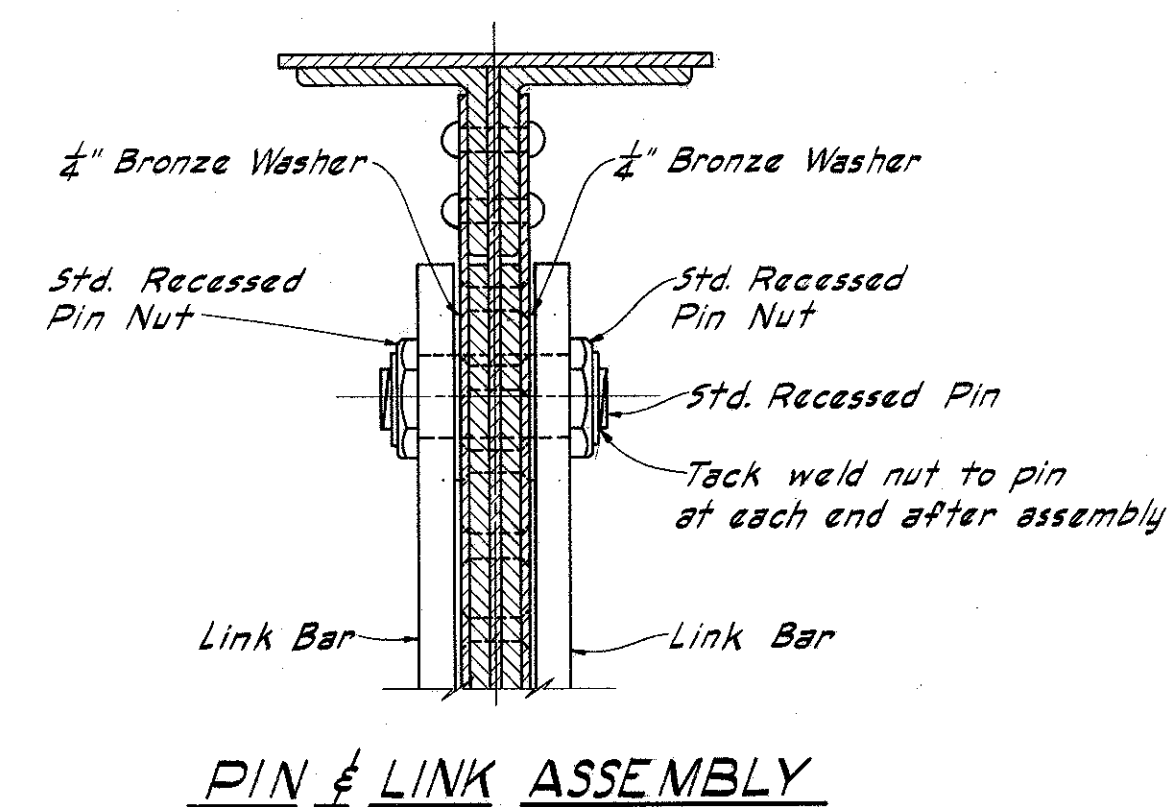
**GIRDERS G5-G8  
PIER NO.2 TO EXPANSION HINGE**



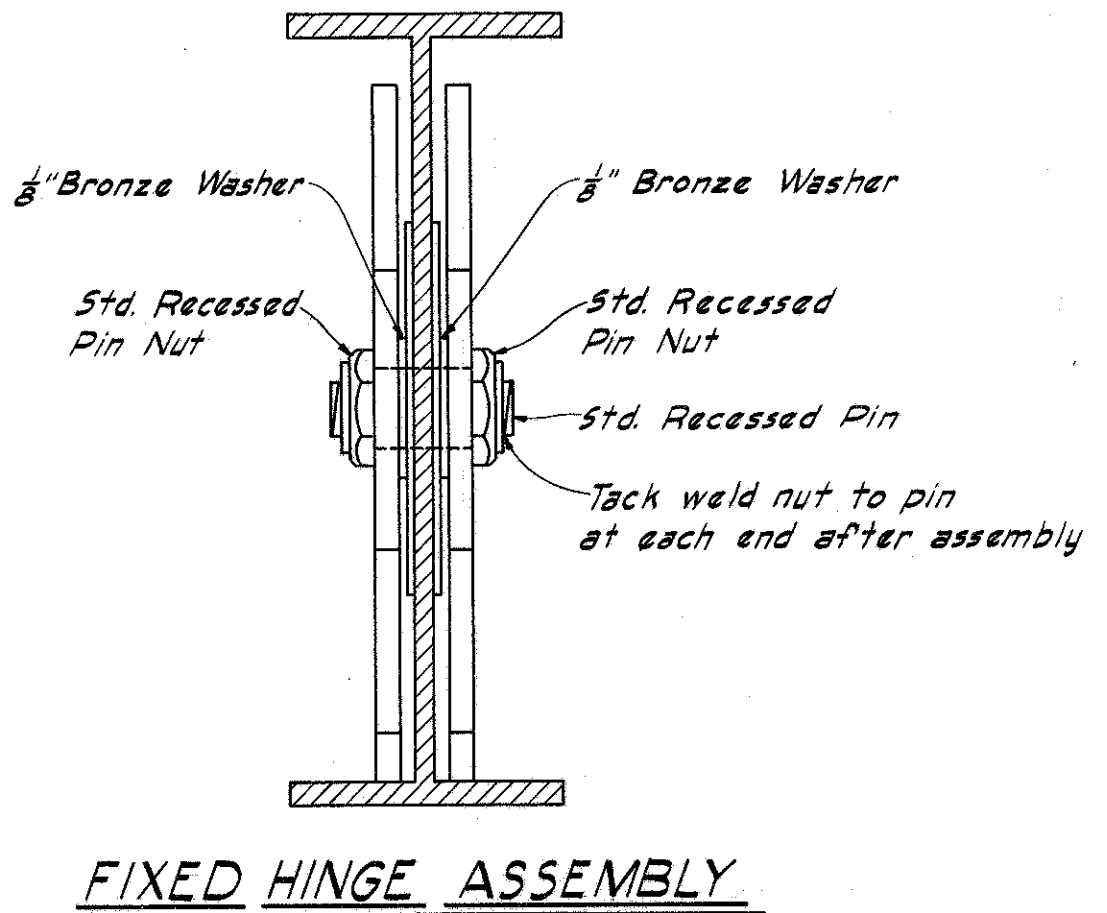
**LINK BAR**



**SECTION A-A**

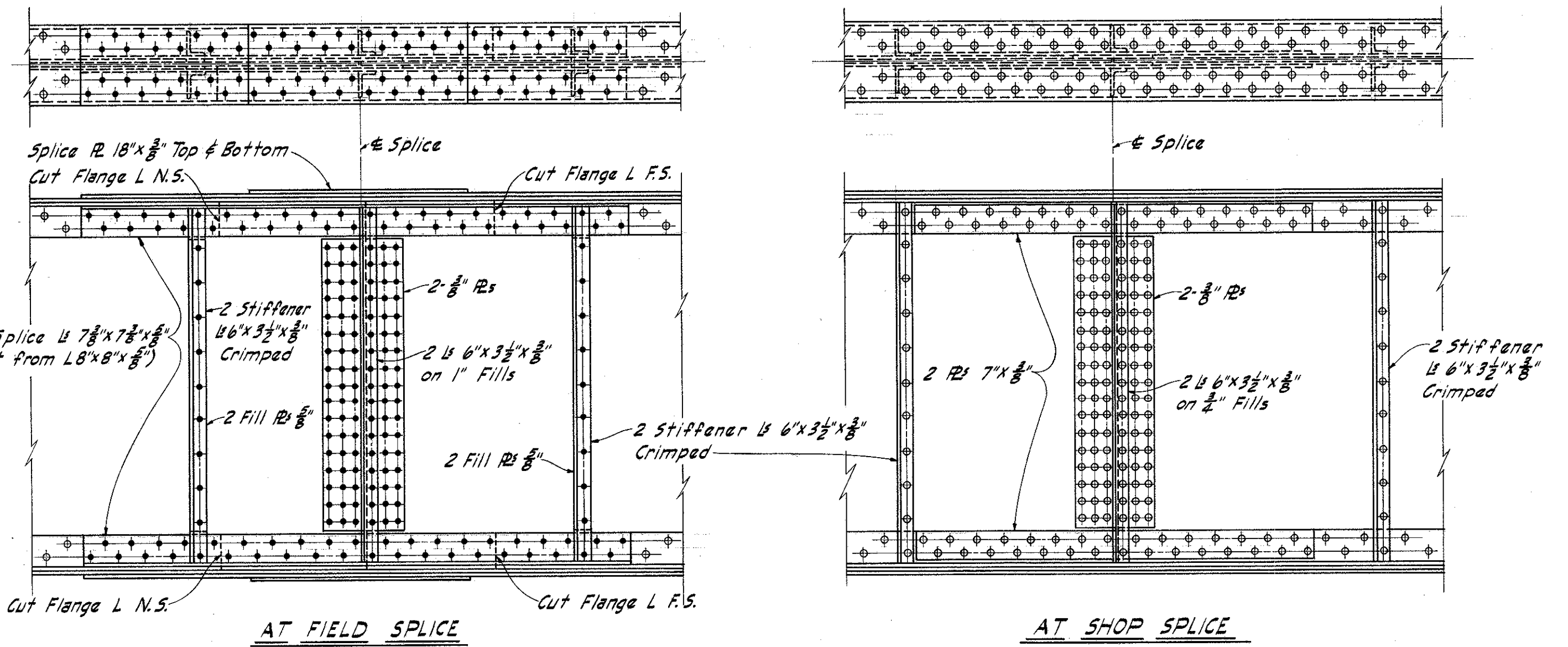


**PIN & LINK ASSEMBLY**



**FIXED HINGE ASSEMBLY**

NOTE:  
N.S. indicates near side  
F.S. indicates far side



**TYPICAL DETAILS FOR  
GIRDERS G5-G8**

MICHAEL BAKER JR., CONSULTING ENGINEERS ROCHESTER, PENNSYLVANIA					
<b>GIRDER ELEVATION &amp; DETAILS</b>					
GIRDERS G5-G8					
BRIDGE NO. LAK-1-0276					
UNDER MAPLE GROVE ROAD					
LAKE COUNTY					
					STA. 145+98.94
Designed	Drawn	Traced	Checked	Reviewed-Date	Revised
P.C.K.	C.V.P.	E.F.T.	H.C.M.	H.G.H. 8-22-38	

58-B-150