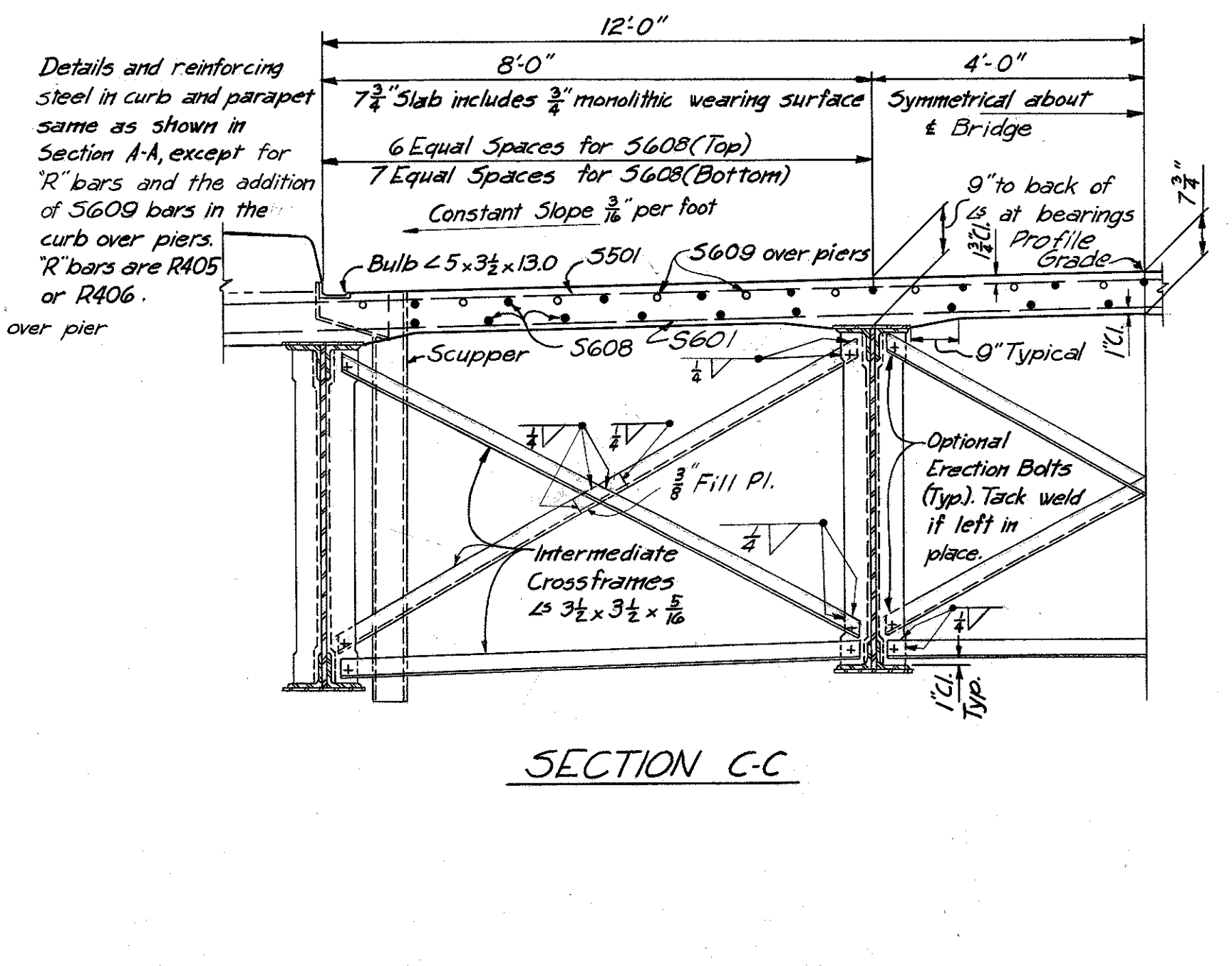
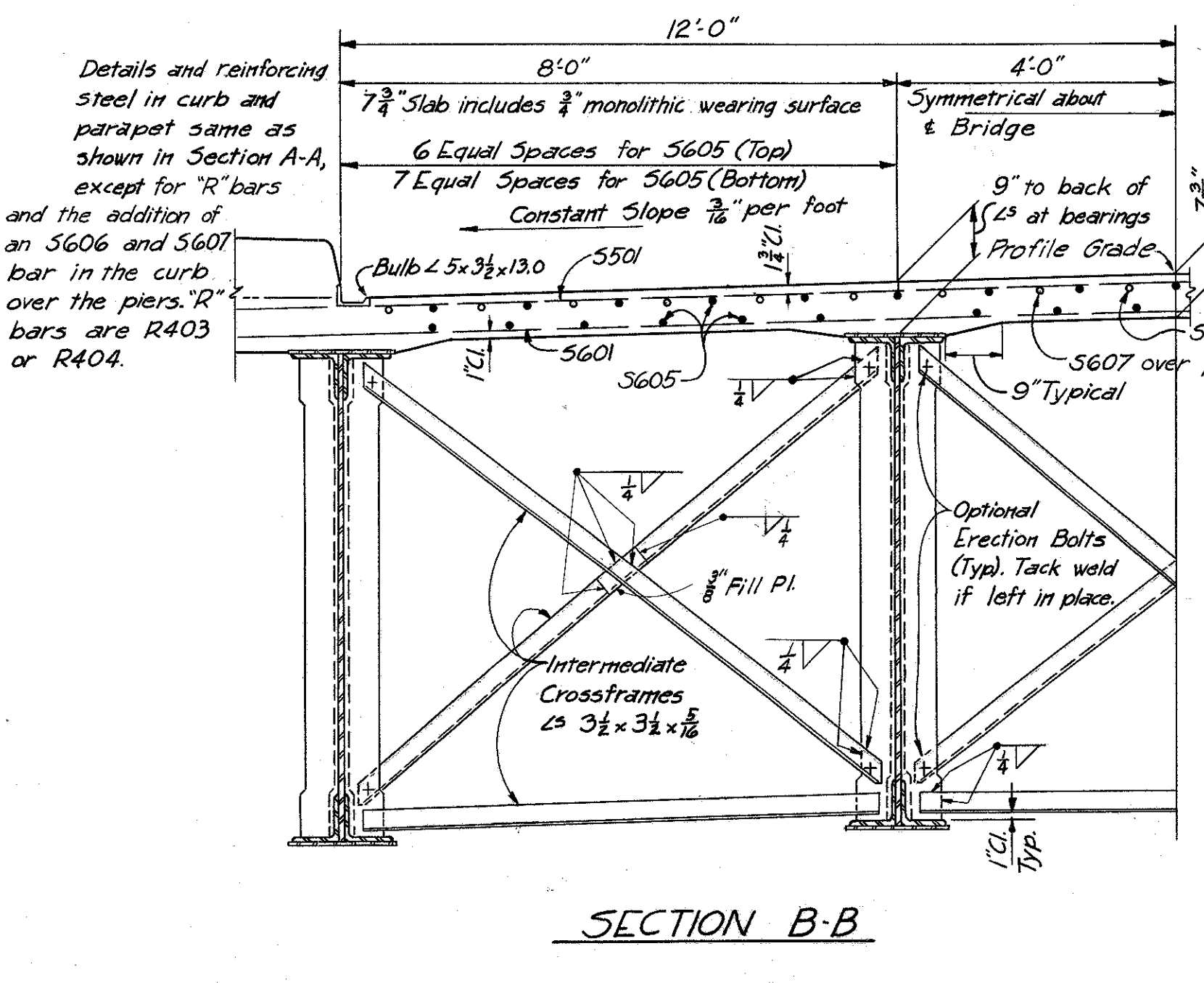
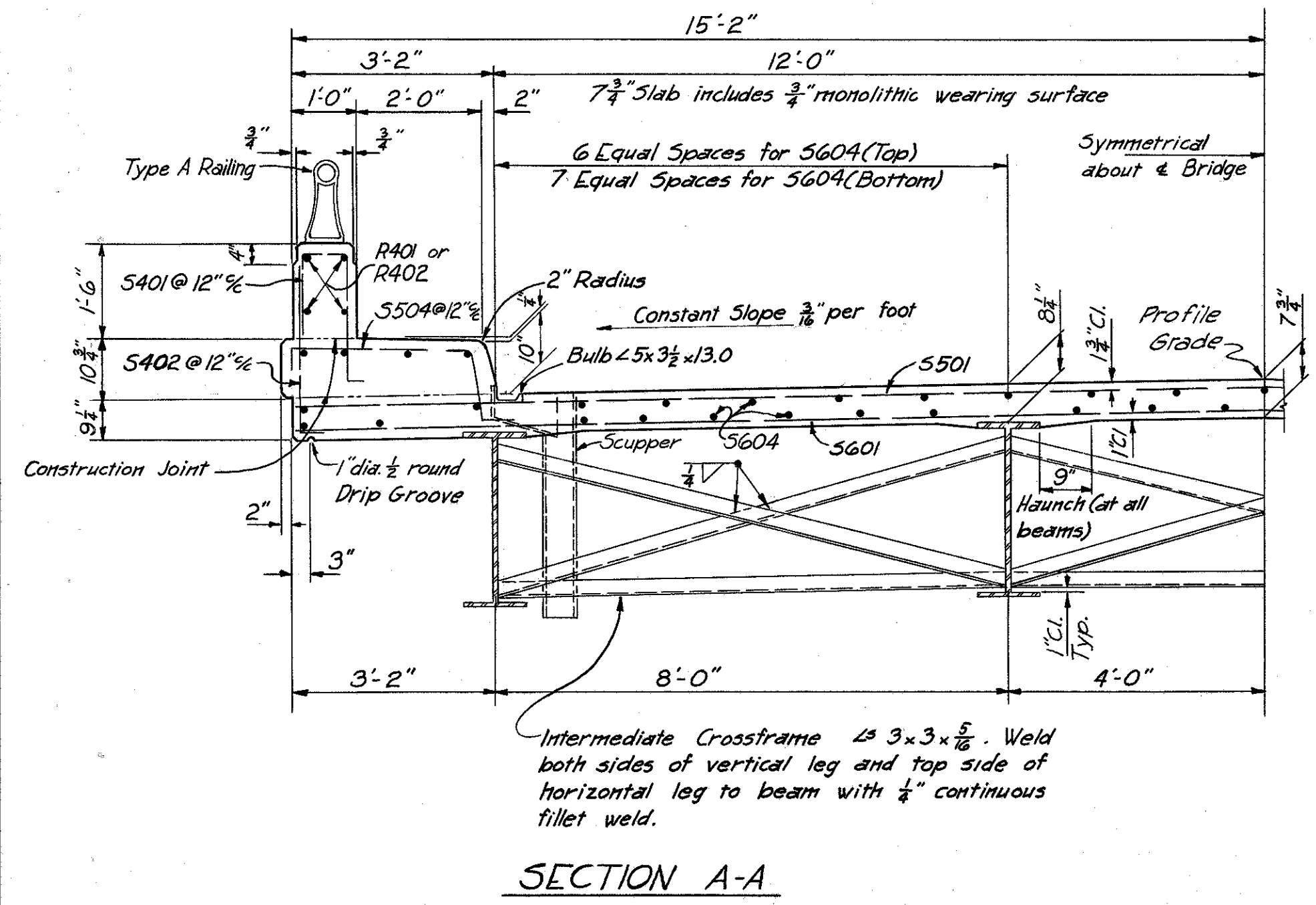


DECK PLACING PROCEDURE: In placing the deck concrete, construction joints will be permitted parallel to the transverse reinforcing steel and near the middle of any span. Because of the flow of curing water from the surface of previously placed deck concrete, the sequence of pours shall be upgrade, starting at the lowest end.

NOTES

- Refer to Standard Drawing CSB-2-56, Sheet 3 of 6 for gutter, scupper, and curb plate details.
- Concrete and reinforcing steel above parapet construction joint included with railing for payment.
- Concrete shall be Class "C".



MICHAEL BAKER JR., CONSULTING ENGINEERS
ROCHESTER, PENNSYLVANIA

SLAB & SECTIONS
BRIDGE NO. LAK-I-0276
UNDER MAPLE GROVE ROAD

LAKE COUNTY STA. 145 + 98.94

Designed	Drawn	Traced	Checked	Reviewed-Date	Revised
P.C.K.	Y.G.	C.R.H.	H.C.M.	H.G.H. 8-22-58	