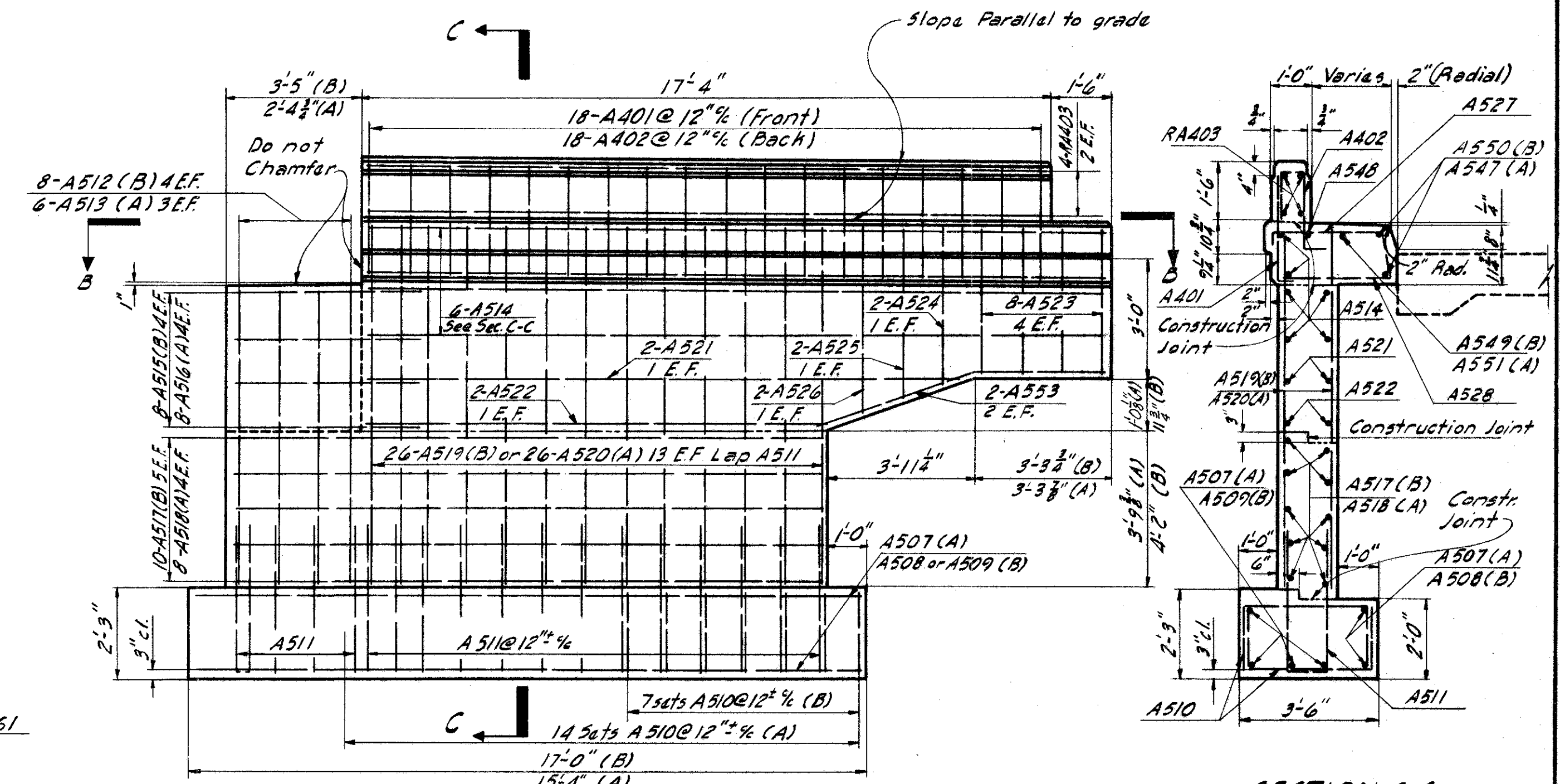
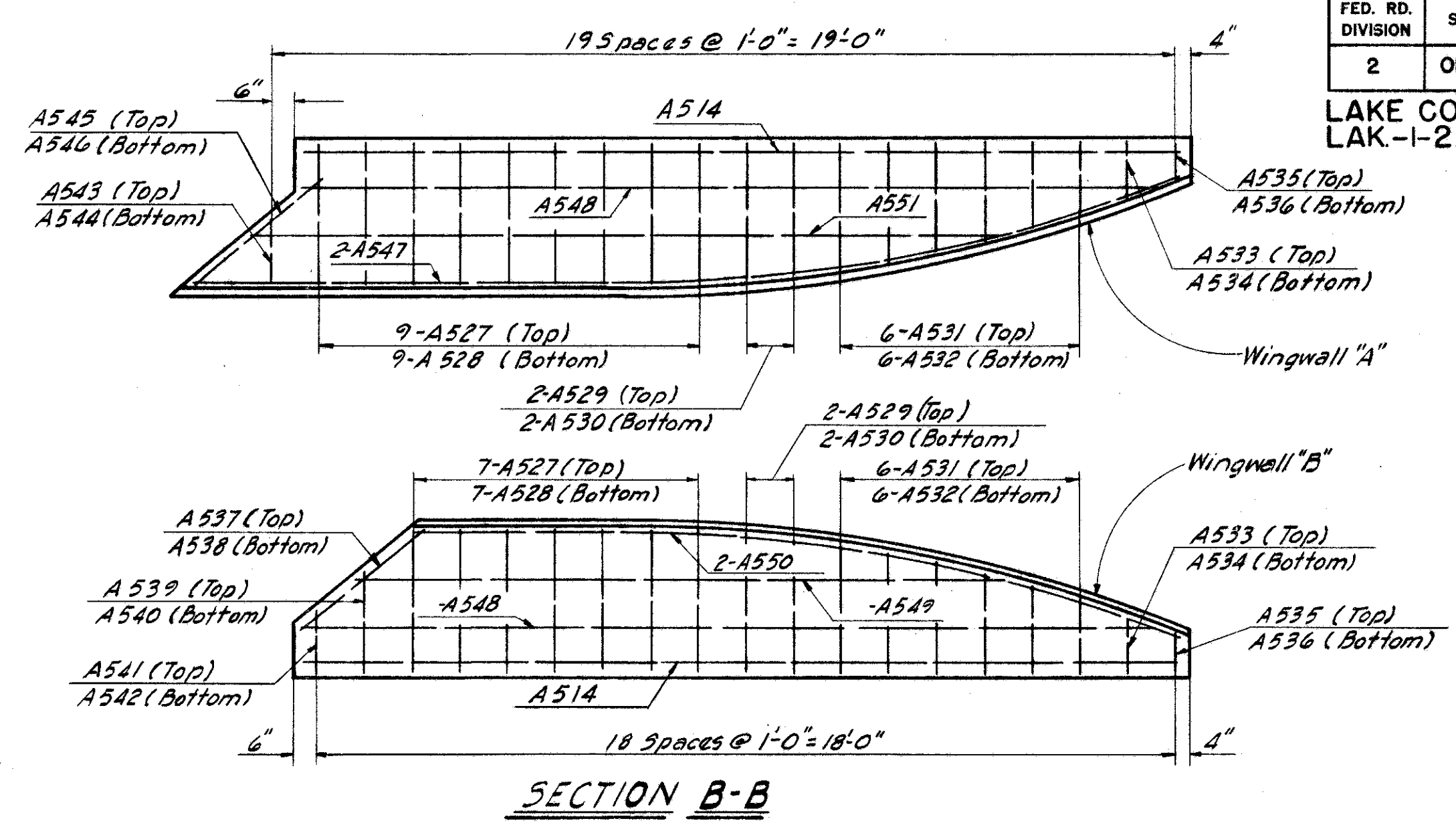
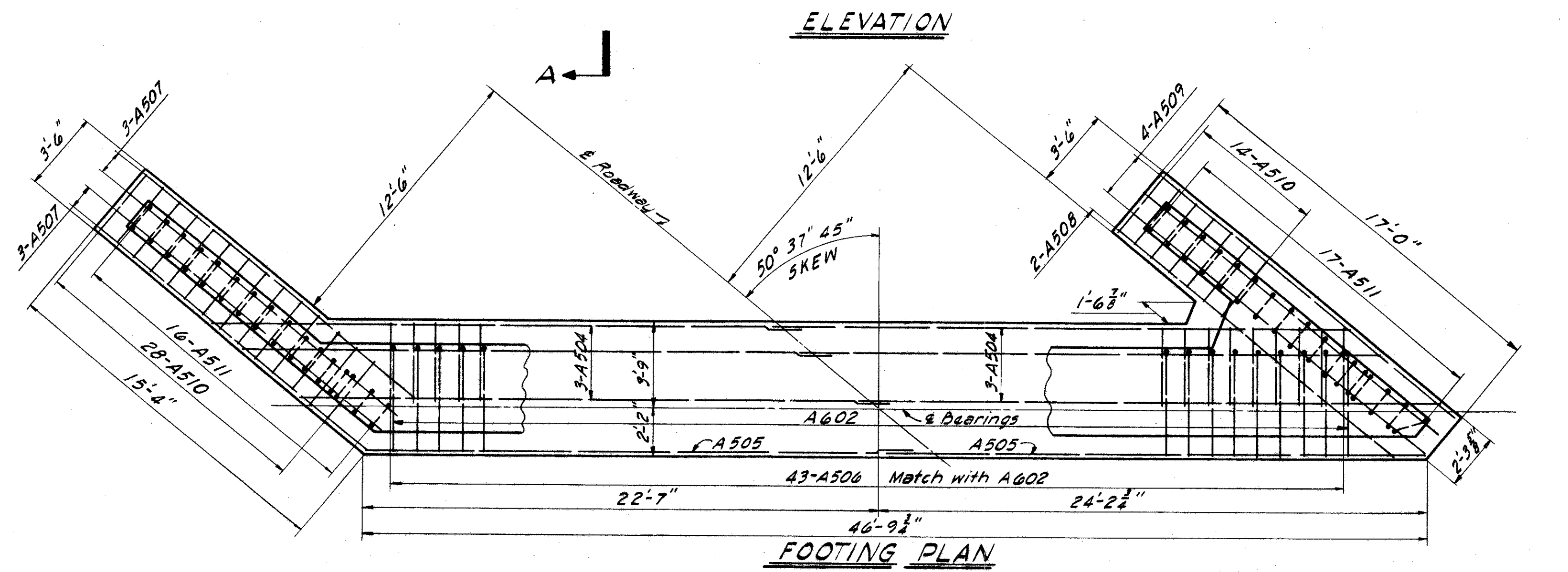
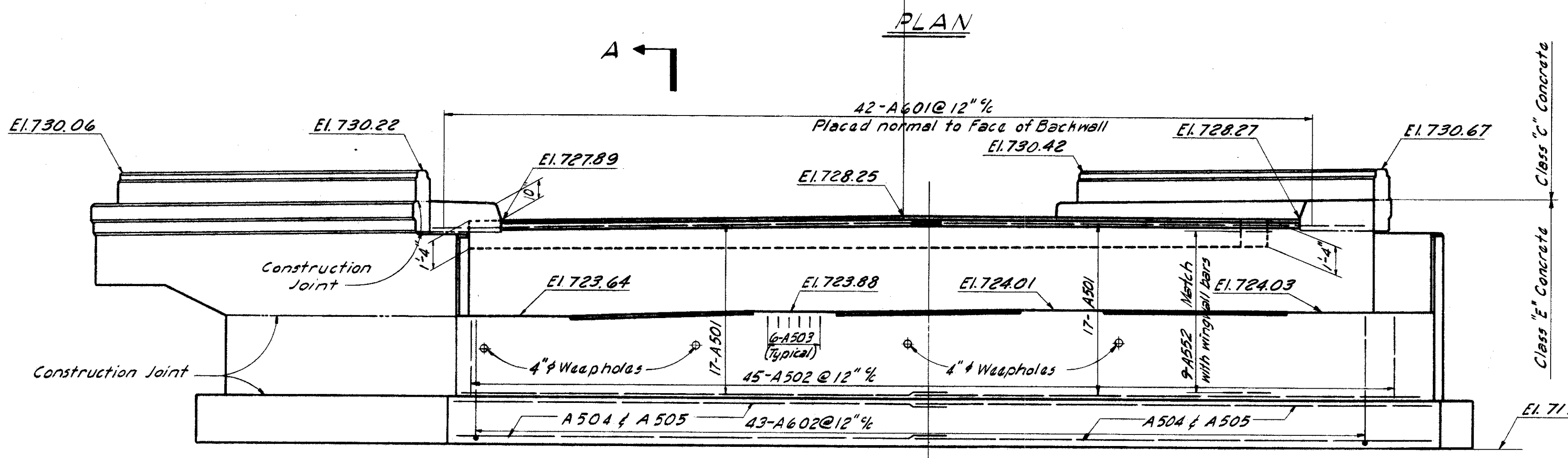
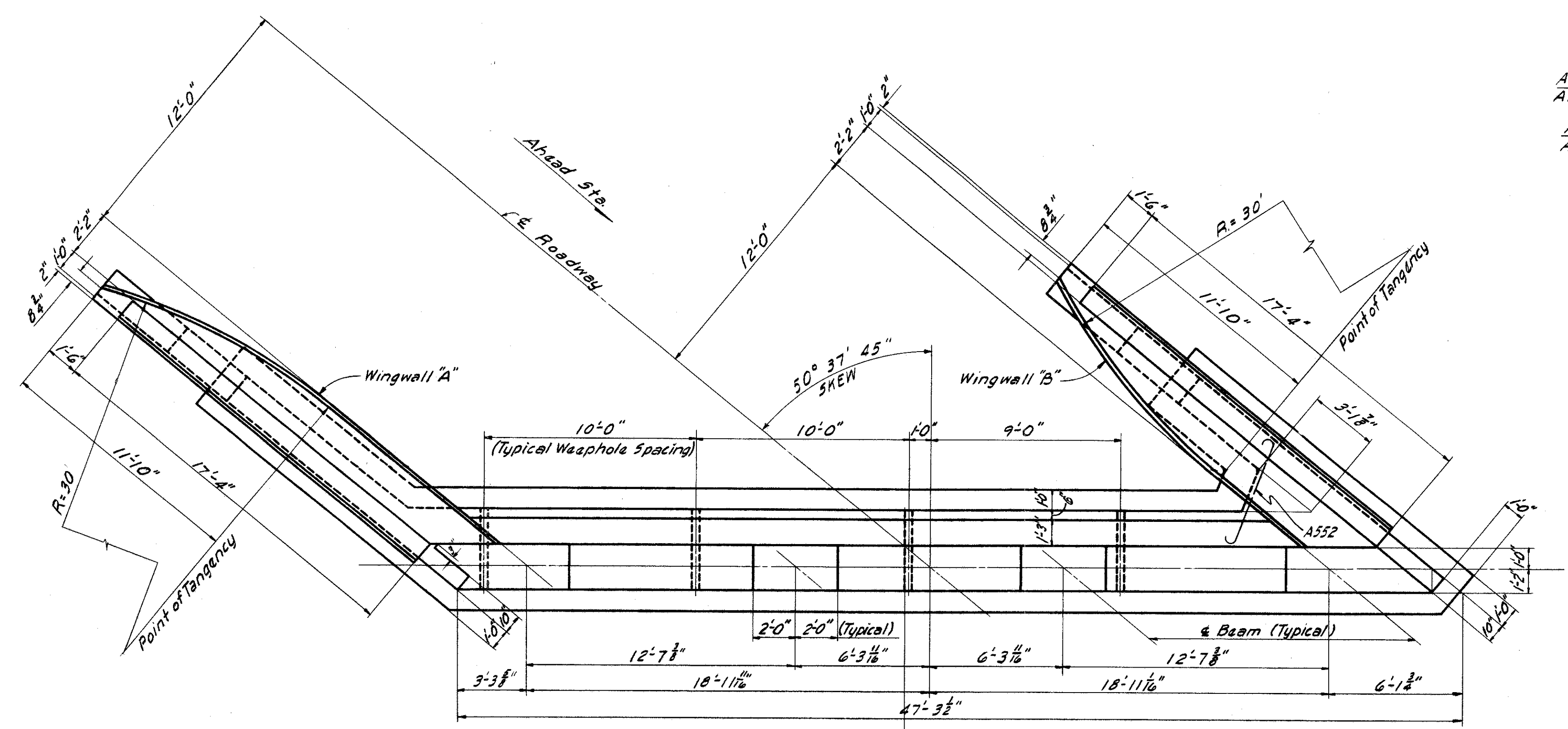


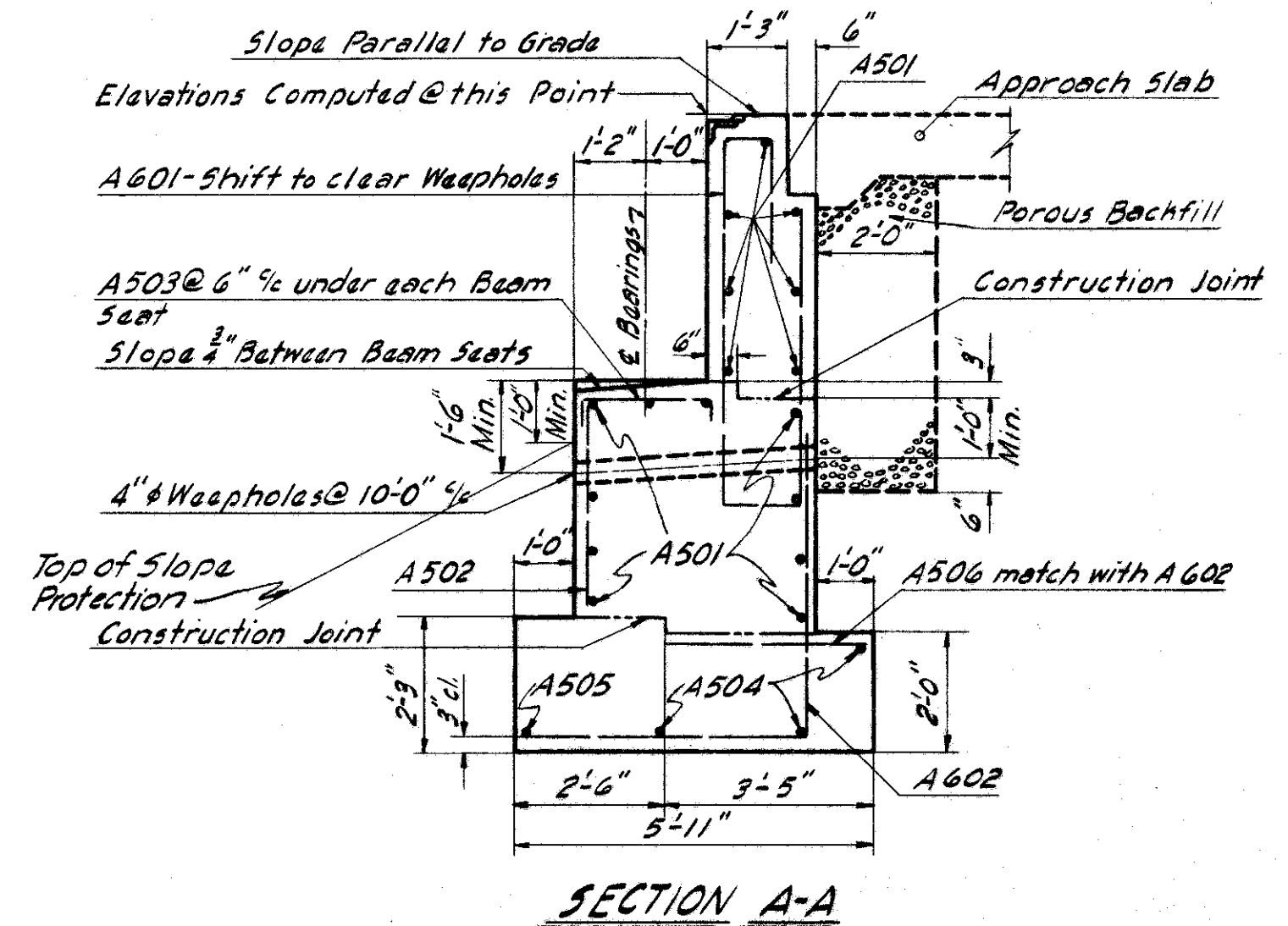
FED. RD. DIVISION	STATE	PROJECT	TYPE FUNDS
2	OHIO	I-1103(19)	

LAKE COUNTY  
LAK-1-2.16

2873  
312



NOTE:  
(A) Indicates Wingwall "A"  
(B) Indicates Wingwall "B"  
E.F. Indicates Each Face  
If (A) or (B) is not indicated,  
bar numbers and dimension  
are for each Wingwall.



This sheet supersedes  
sheet 287. 3-24-60.

MICHAEL BAKER JR., CONSULTING ENGINEERS  
ROCHESTER, PENNSYLVANIA

**ABUTMENT NO. 1**  
BRIDGE NO. LAK-1-0276  
UNDER MAPLE GROVE ROAD

LAKE COUNTY	STA. 145+98.94				
Designed	Drawn	Traced	Checked	Reviewed-Date	Revised
C.V.P.	C.V.P.	A.C.M.	B.S.W.	H.G.H. 8-22-58	3-28-60