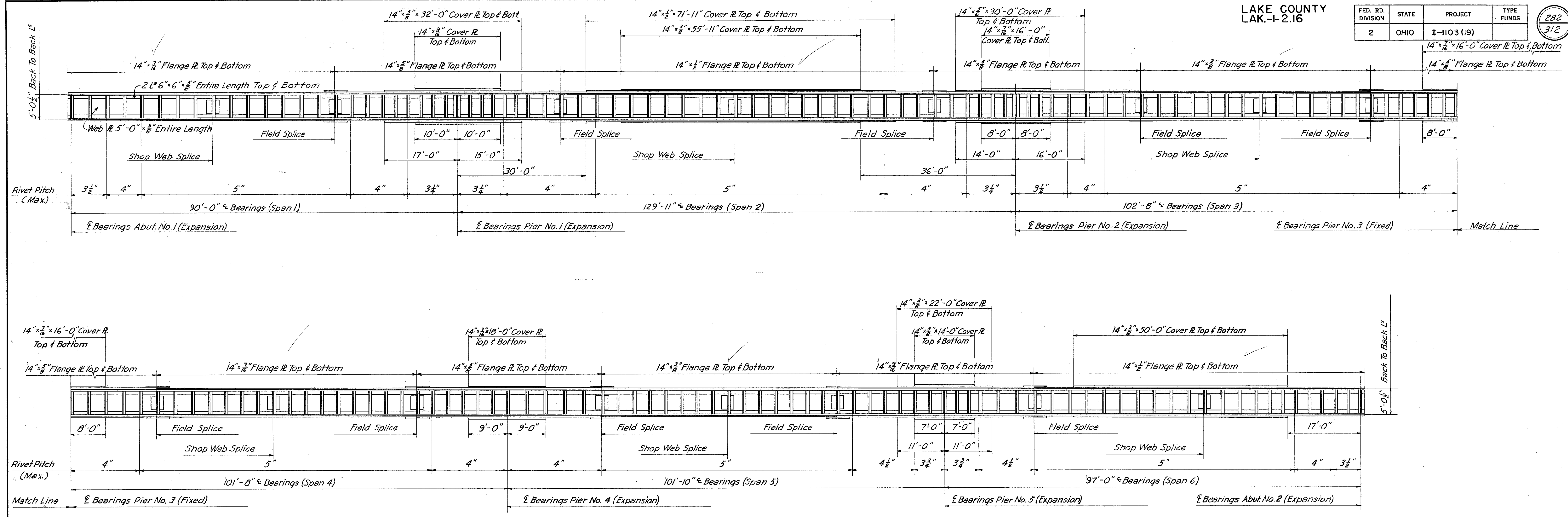


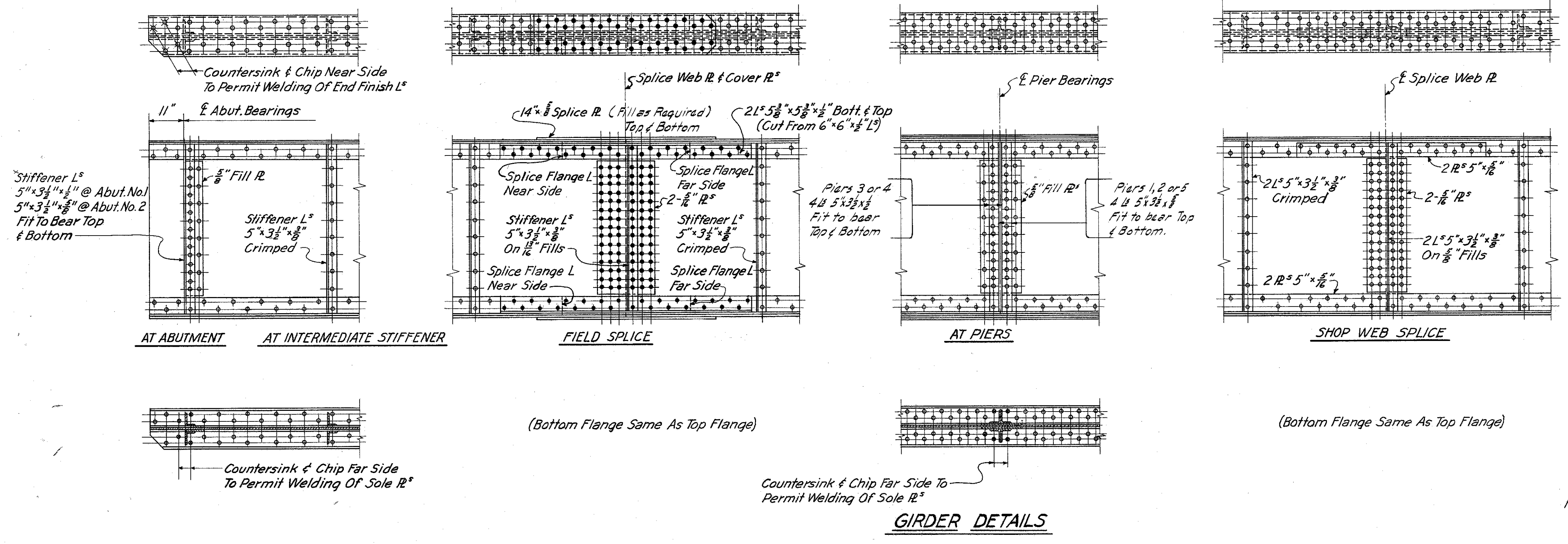
FED. RD. DIVISION	STATE	PROJECT	TYPE FUNDS
2	OHIO	I-1103 (19)	

282
312

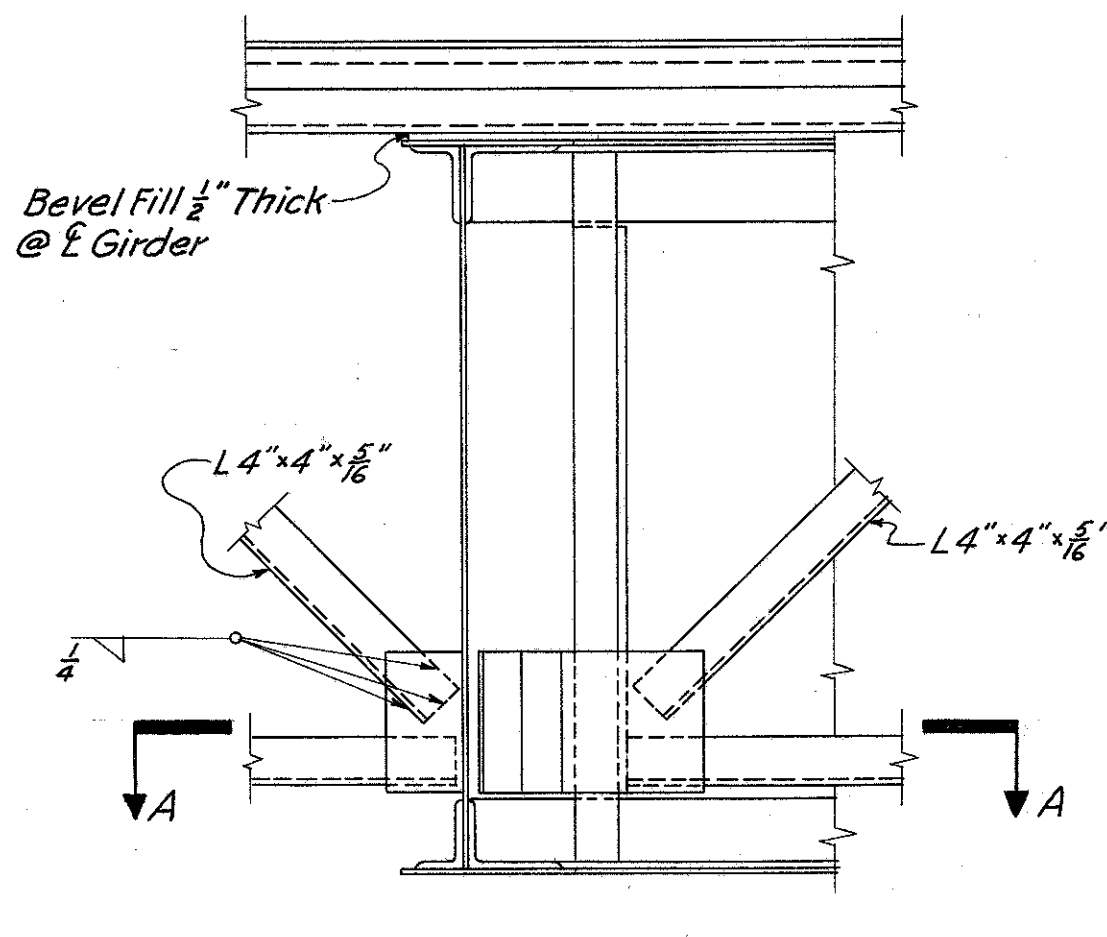


GIRDER ELEVATION

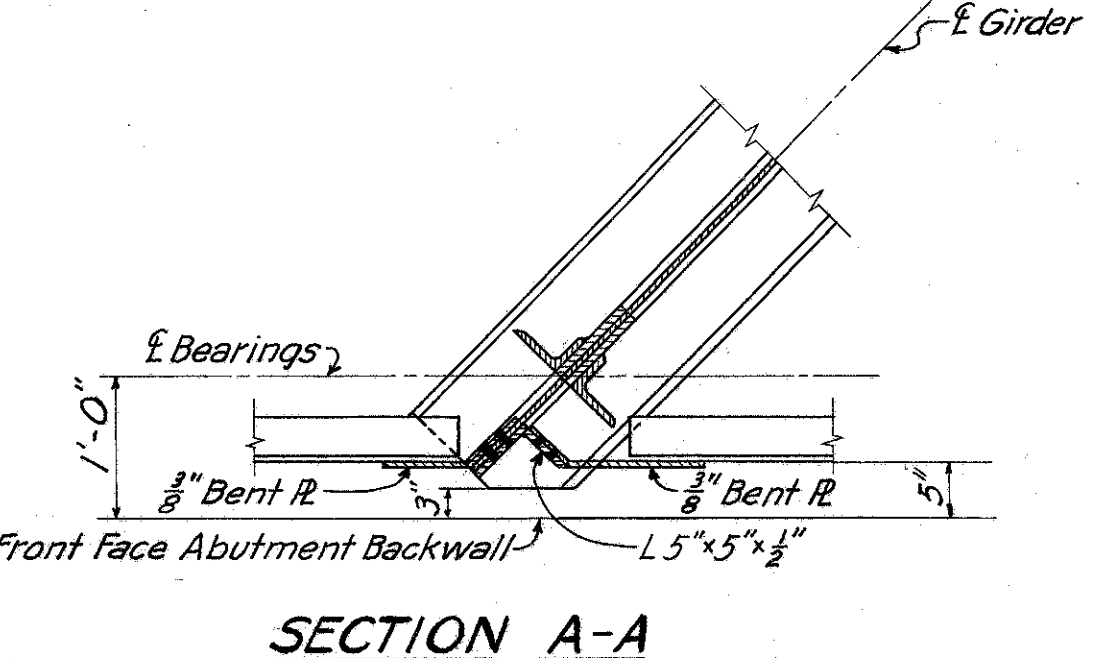
NOTES:
 • All rivets 3/8"
 • Painting At Stiffener Crimps: The requirement of the last portion of the last sentence in Section 5-7.14 of the Construction and Material Specifications which states "... and any remaining openings shall be filled with a metallic compound of a non-shrinking type before the shop paint is applied" shall not apply and the following requirement shall be substituted therefore: Prior to the assembly of a girder the web plate, the flange angle, and the stiffener angle at the location of the crimp in the stiffener angle shall be given a coat of paint.



GIRDER DETAILS



PART ELEVATION OF END FINISH



SECTION A-A

MICHAEL BAKER JR., CONSULTING ENGINEERS ROCHESTER, PENNSYLVANIA					
SUPERSTRUCTURE					
GIRDER ELEVATION & DETAILS					
BRIDGE NO. LAK-1-0226 UNDER STATE ROUTE NO. 91					
LAKE COUNTY			STA. 1214+21.56		
Designed	Drawn	Traced	Checked	Reviewed-Date	Revised
E.E.W.	E.E.W.	F.E.H.	G.M.W.	H.S.H. 8-22-58	