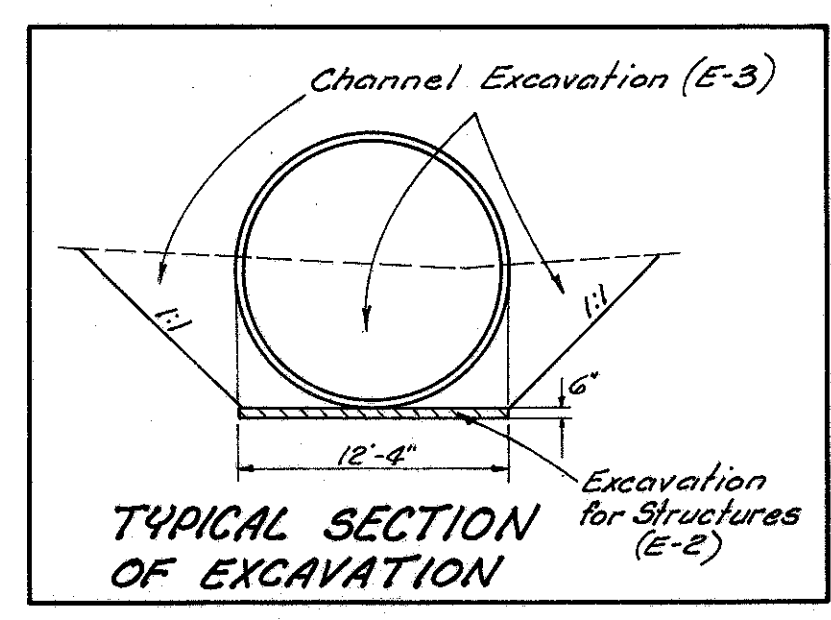
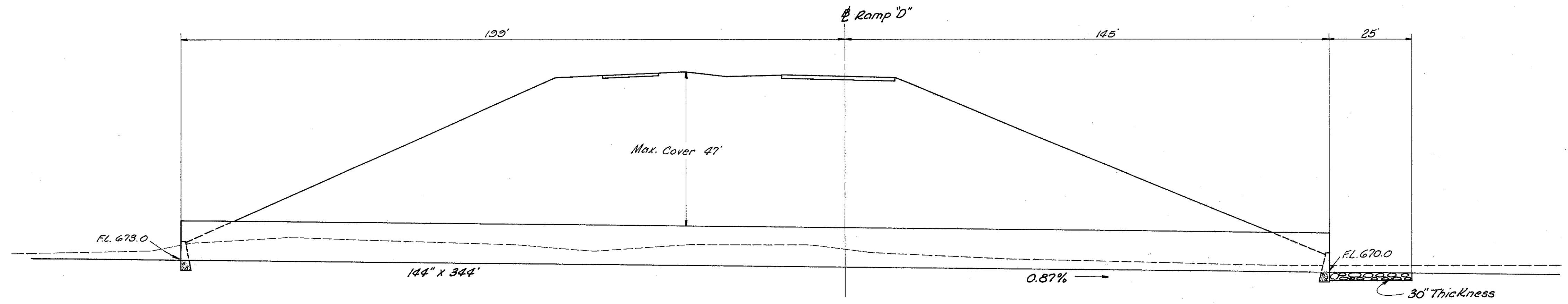
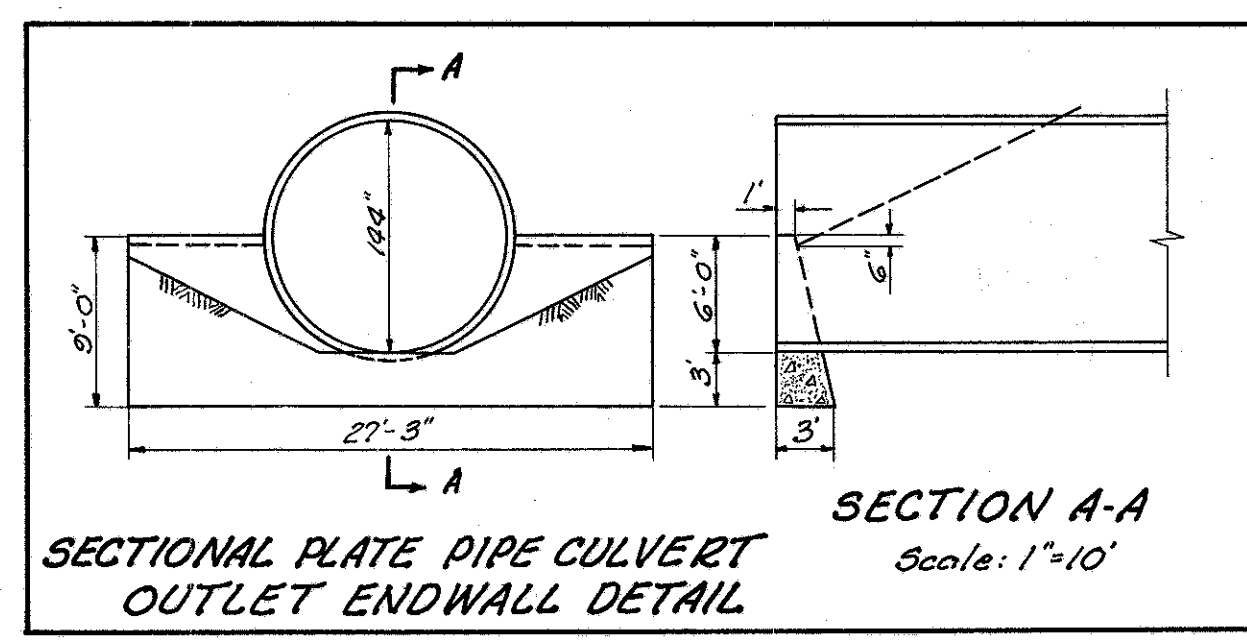


Drainage Area = 1641 Acres
Q₅₀ = 800 C.F.S.

Headwater = 9.70
Outlet Velocity = 14 F.P.S.



ESTIMATED QUANTITIES

E-2	Excavation for Structures	142	Cu. Yds.
E-3	Channel Excavation	2493	Cu. Yds.
S-1	Concrete for Structures, Class "E"	27.36	Cu. Yds.
S-28	144" Sectional Corrugated Metal Structures	344	Lin. Ft.
I-10	Dumped Rock Channel Protection	55	Cu. Yds.
L-10	Sodding	62	Sq. Yds.

CULVERT DATA

TYPE: Pipe Culvert S-28, Sec. M-6.4(g) Gage I-1 Type SP-53 Hdw's.
The Vertical Axis of the Pipe shall be Elongated 3% by Field Strutting and Jacking or 5% in Shop Fabrication, and further provided that the Bolts shall be increased from 4 to 6 per Ft. of Longitudinal Seam.

SIZE: 144" x 344'

Notes shall conform with Std. Drawing No. SP-53

Scale: 1"=20'

MICHAEL BAKER JR., CONSULTING ENGINEERS
ROCHESTER, PENNSYLVANIA

STATE OF OHIO
DEPARTMENT OF HIGHWAYS
STATE HIGHWAY NO. 1

C-43
CULVERT SECTION
RAMP "D" STA. 16+04

Designed	Drawn	Traced	Checked	Reviewed Date	Revised
F.A.N.	A.L.H.	A.L.H.	L.S.I.		