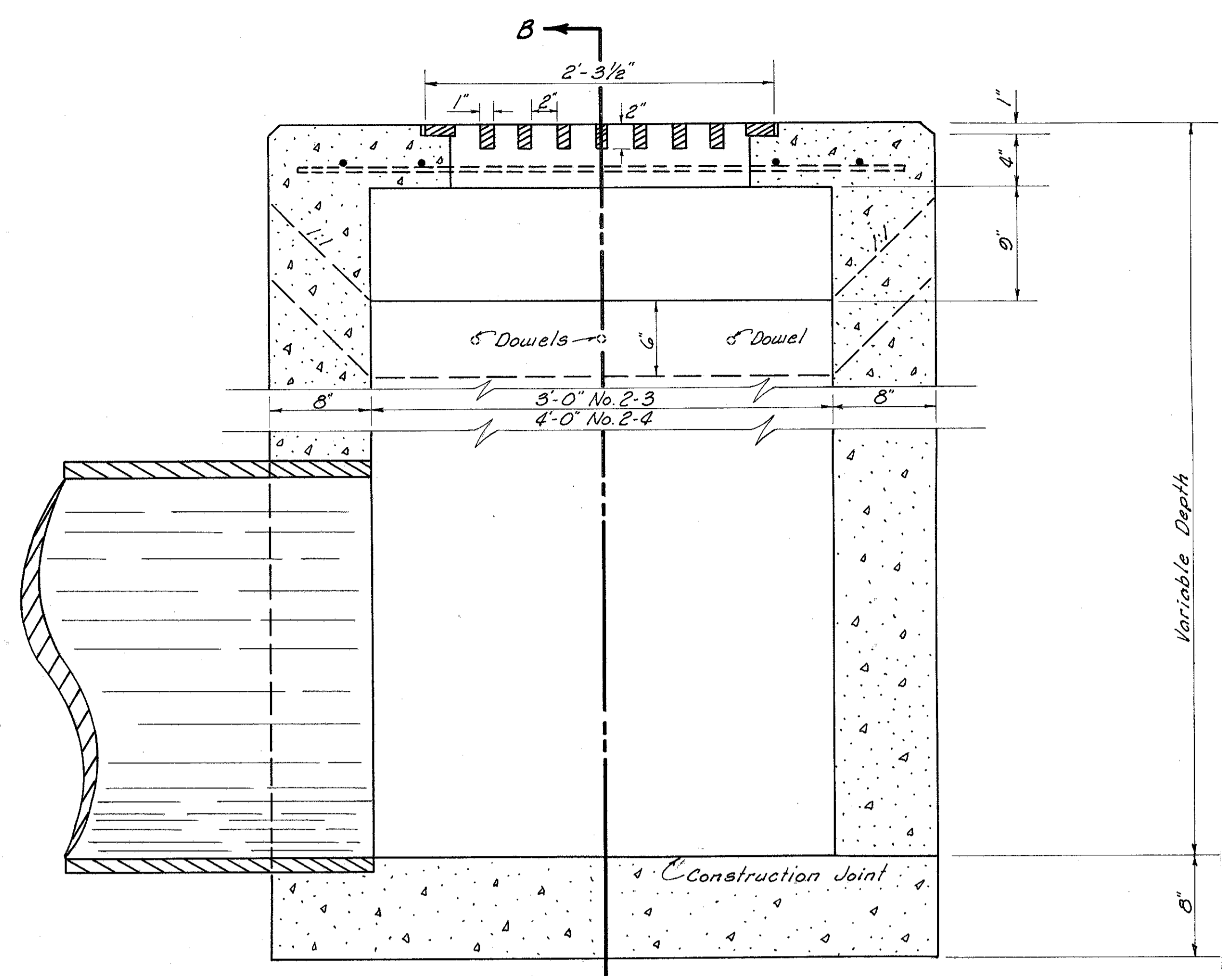
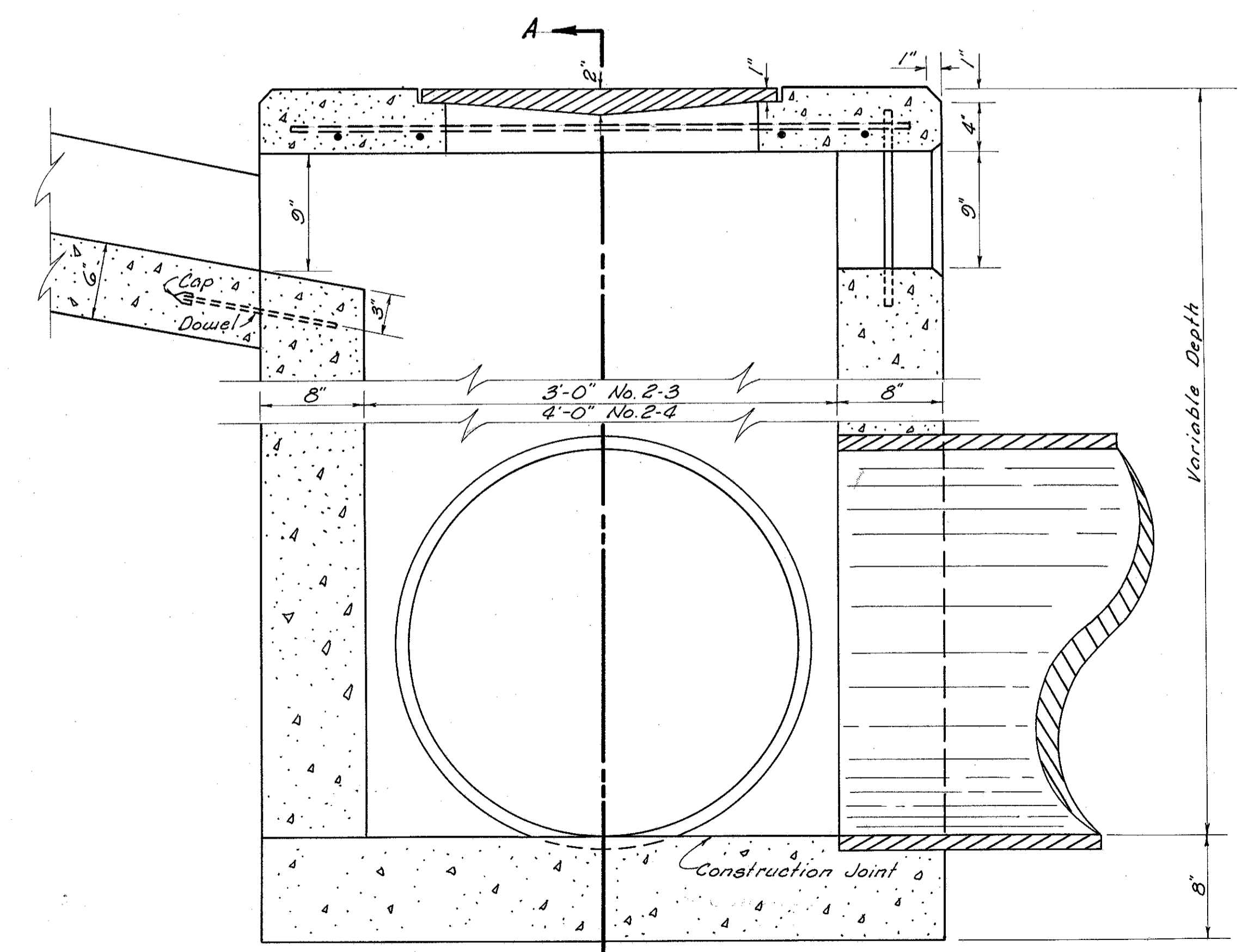


LAKE COUNTY
LAK-1-2.16

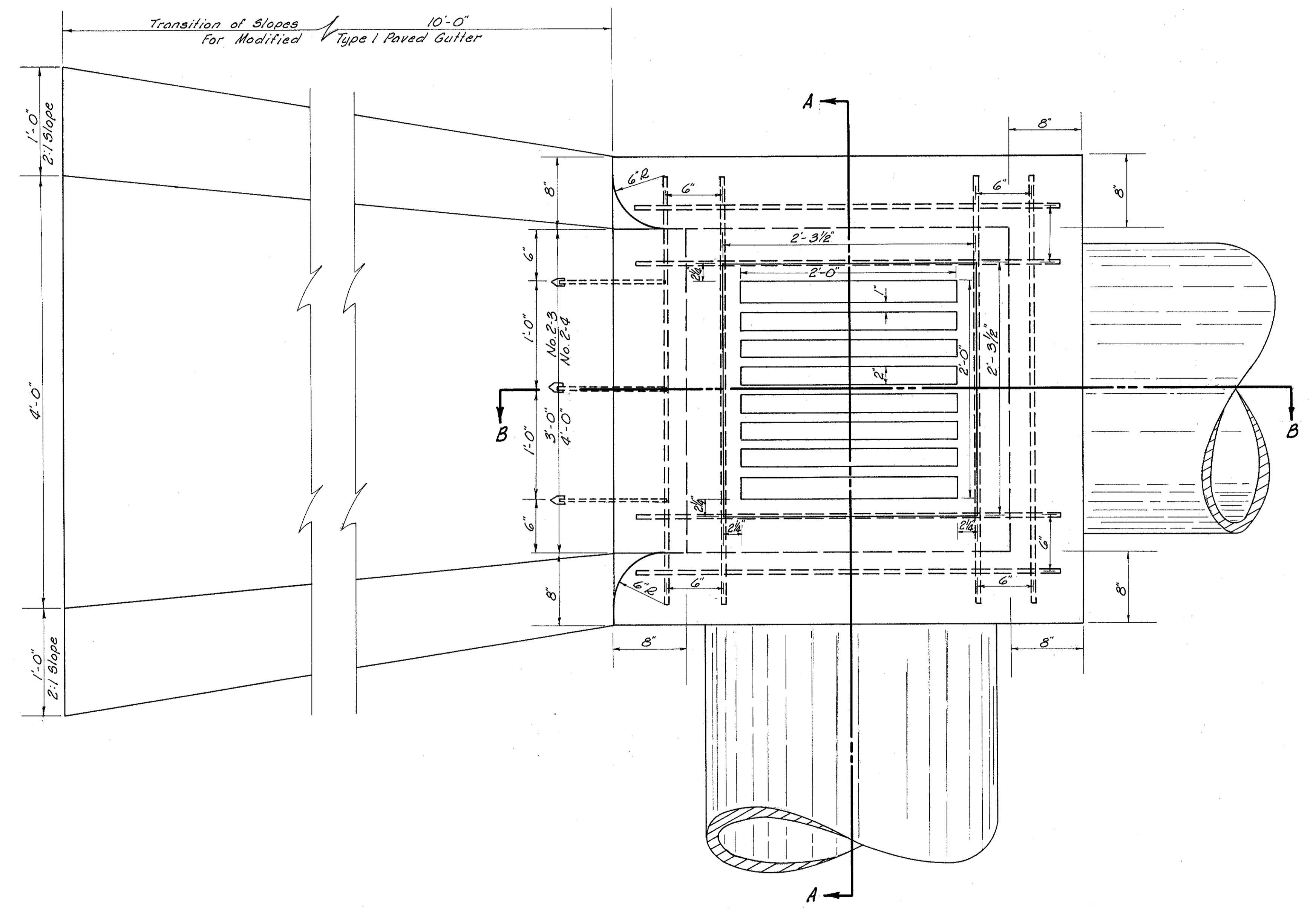
MODIFIED No. 2-3 & No. 2-4 CATCH BASIN WITH MODIFIED TYPE 1 PAVED GUTTER



SECTION A-A



SECTION B-B



PLAN

Notes:
 Unless otherwise shown Details and Notes shall conform to Standard Drawing No. 1-8 C.B. 2-3 or 2-4.
 Dowels to be 1" round smooth bars 12" long, Spaced as shown.
 Cost of the 10' of Type 1 Paved Gutter as shown in this detail shall be included in the unit bid for the Catch Basin.

Note:
 The two windows can be modified in accordance with this detail if called for on Plans.

Scale: 1/2" = 1'-0"

MICHAEL BAKER JR., CONSULTING ENGINEERS ROCHESTER, PENNSYLVANIA						
STATE OF OHIO DEPARTMENT OF HIGHWAYS STATE HIGHWAY NO. 1-C-43 MODIFIED NO. 2-3 & NO. 2-4 CATCH BASIN WITH MODIFIED TYPE I PAVED GUTTER						
Designed	Drawn	Traced	Checked	Reviewed	Date	Revised
M.E.M.	A.L.H.	K.A.	L.S.I.			