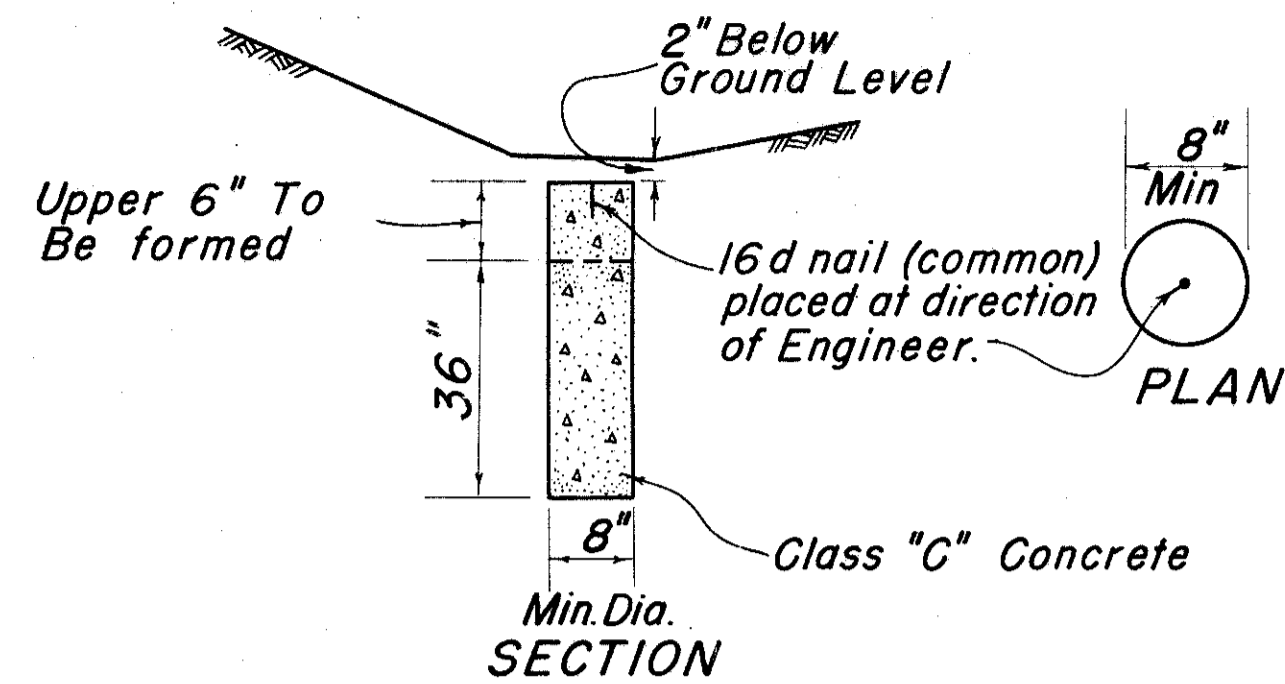
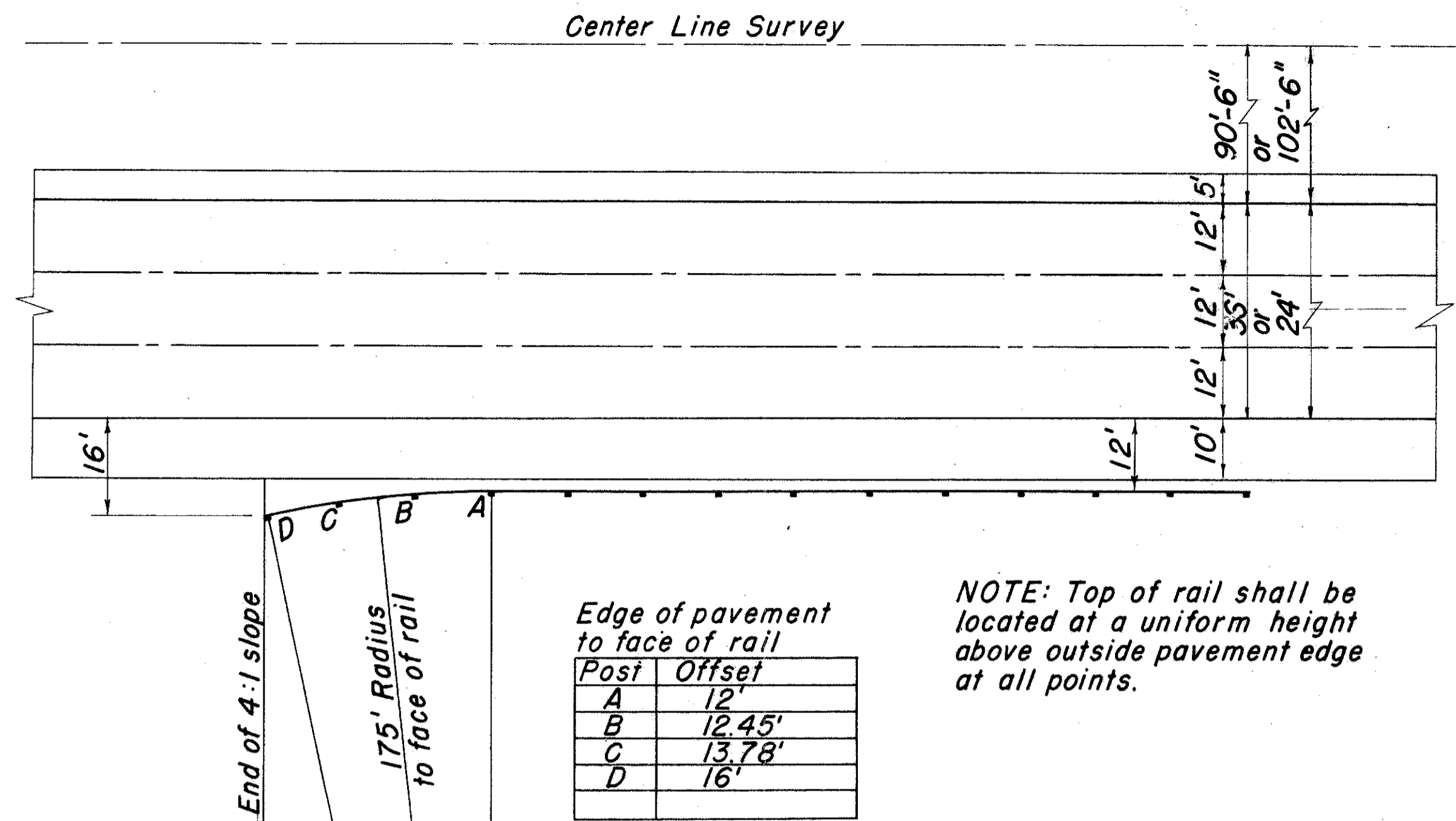


DETAIL OF CENTERLINE REFERENCE MONUMENTS



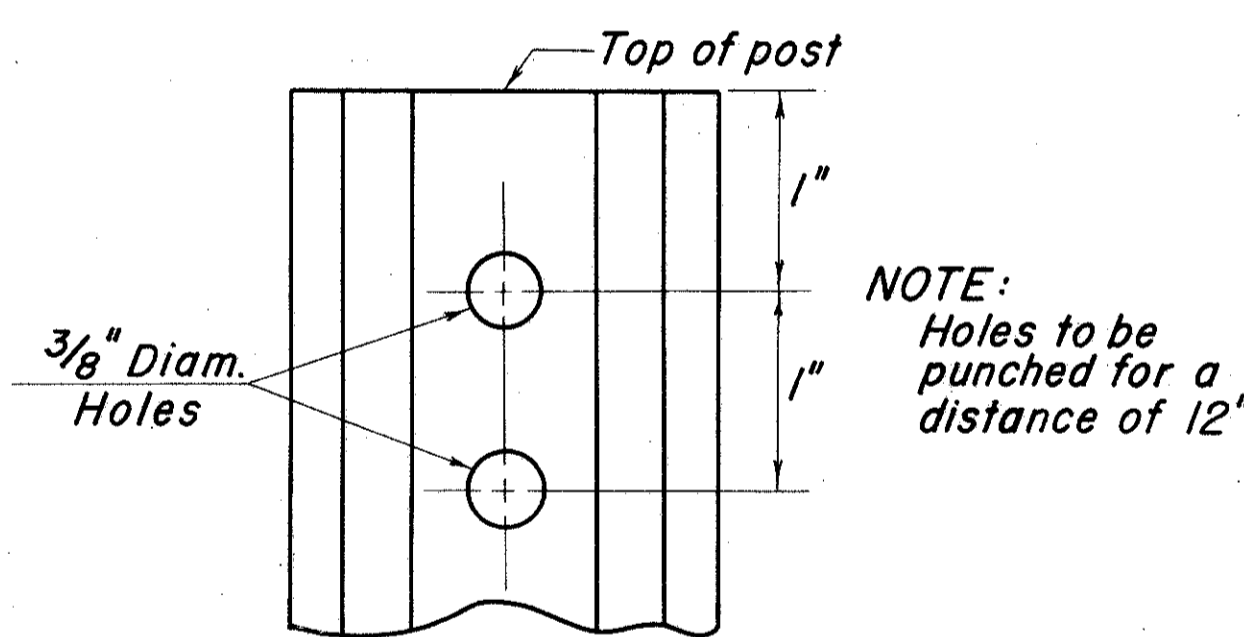
NOTE: Monuments to be placed by Contractor

STANDARD GUARD FLARE DETAIL



NOTE: Top of rail shall be located at a uniform height above outside pavement edge at all points.

Scale 1" = 20'



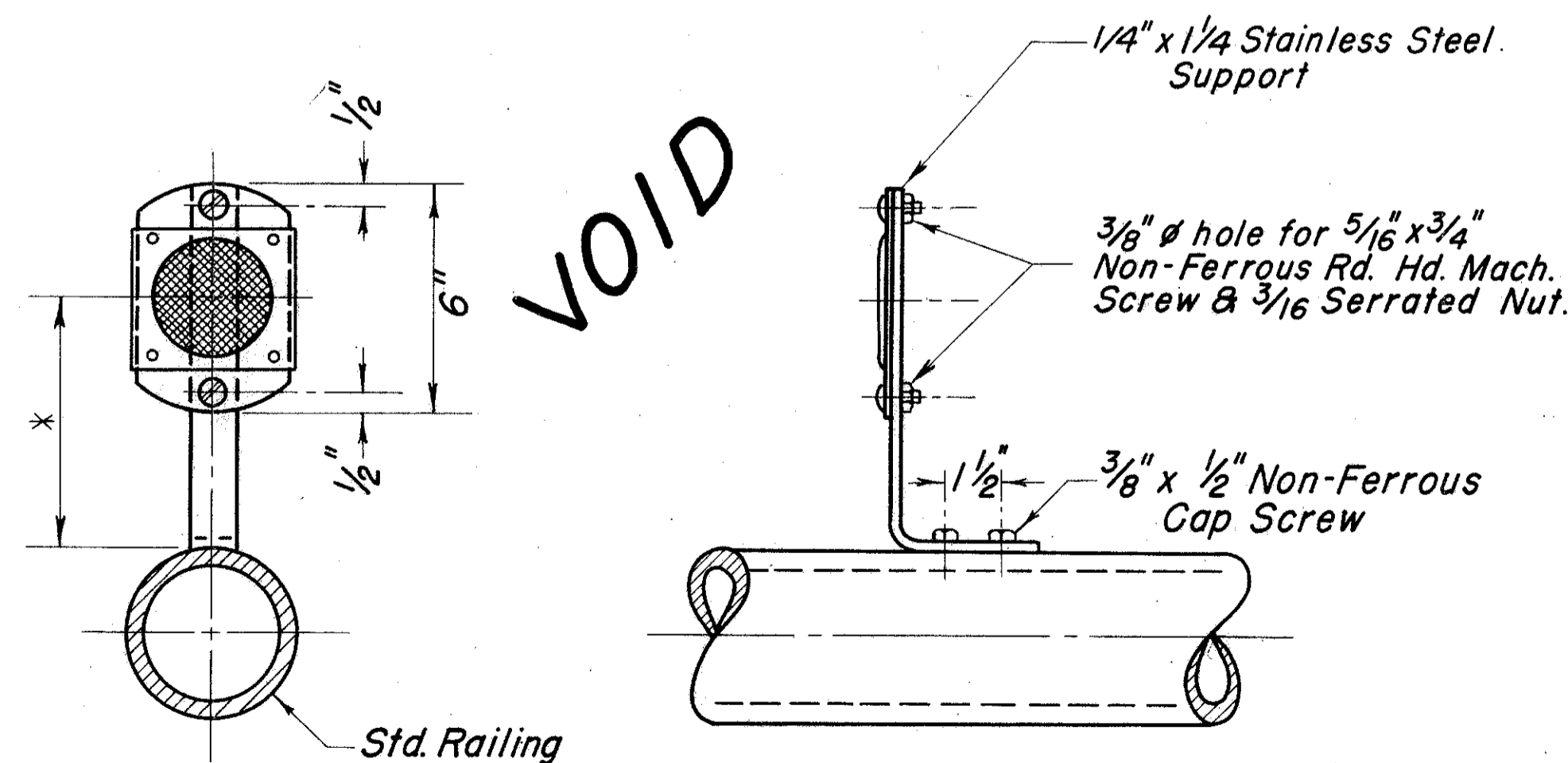
NOTE: Holes to be punched for a distance of 12"

Length of Post... 7'-6" ± 1/4"
No. Holes... 12 per post
Weight... 1.12 lbs. per foot.

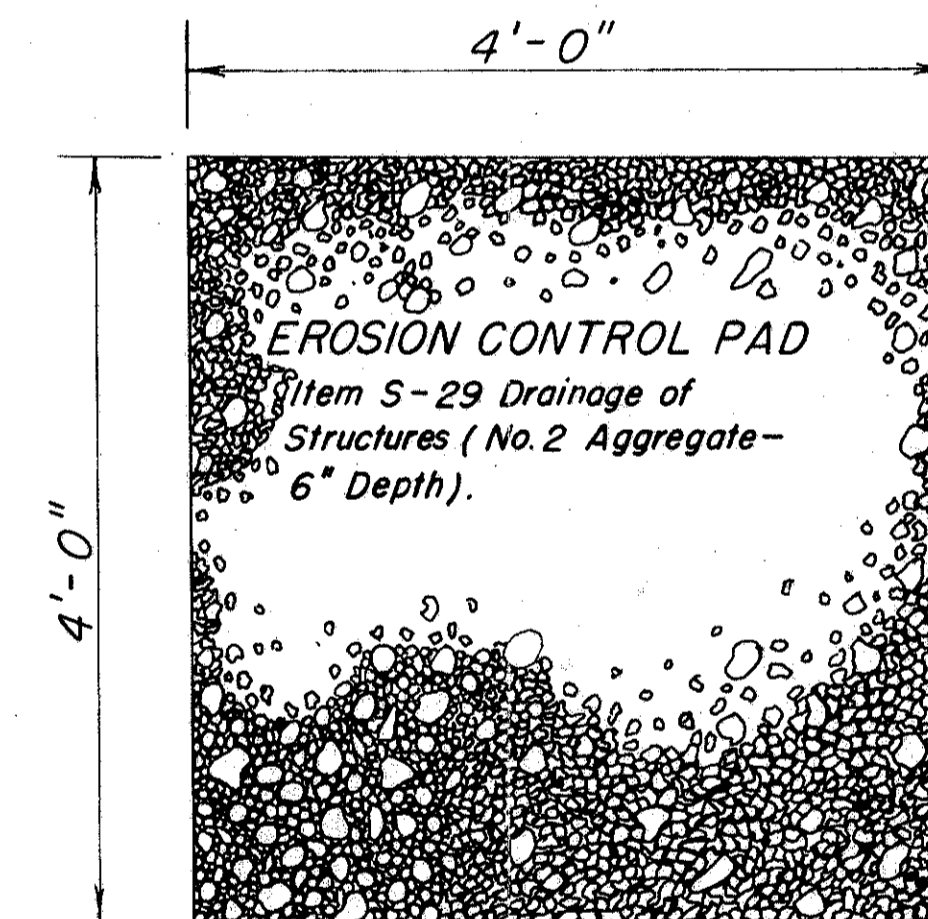
SECTION VIEW

DETAIL OF STEEL DRIVE POST FOR DELINEATOR

* Length of steel support shall be such that the center of the delineator will be 48" above the elevation of a point in the bridge deck located 12' from the face of the parapet.



DELINEATOR AND BRIDGE RAIL BRACKET
Scale: 3" = 1'-0"



EROSION CONTROL PAD

MICHAEL BAKER, JR., CONSULTING ENGINEERS
ROCHESTER, PENNSYLVANIA

STATE OF OHIO
DEPARTMENT OF HIGHWAYS
STATE HIGHWAY NO. 1
C-43
MISCELLANEOUS DETAILS

| | | | | | |
|----------|-------|--------|---------|---------------|---------|
| Designed | Drawn | Traced | Checked | Reviewed Date | Revised |
| B.P. | A.G. | A.G. | R.E.F. | | |