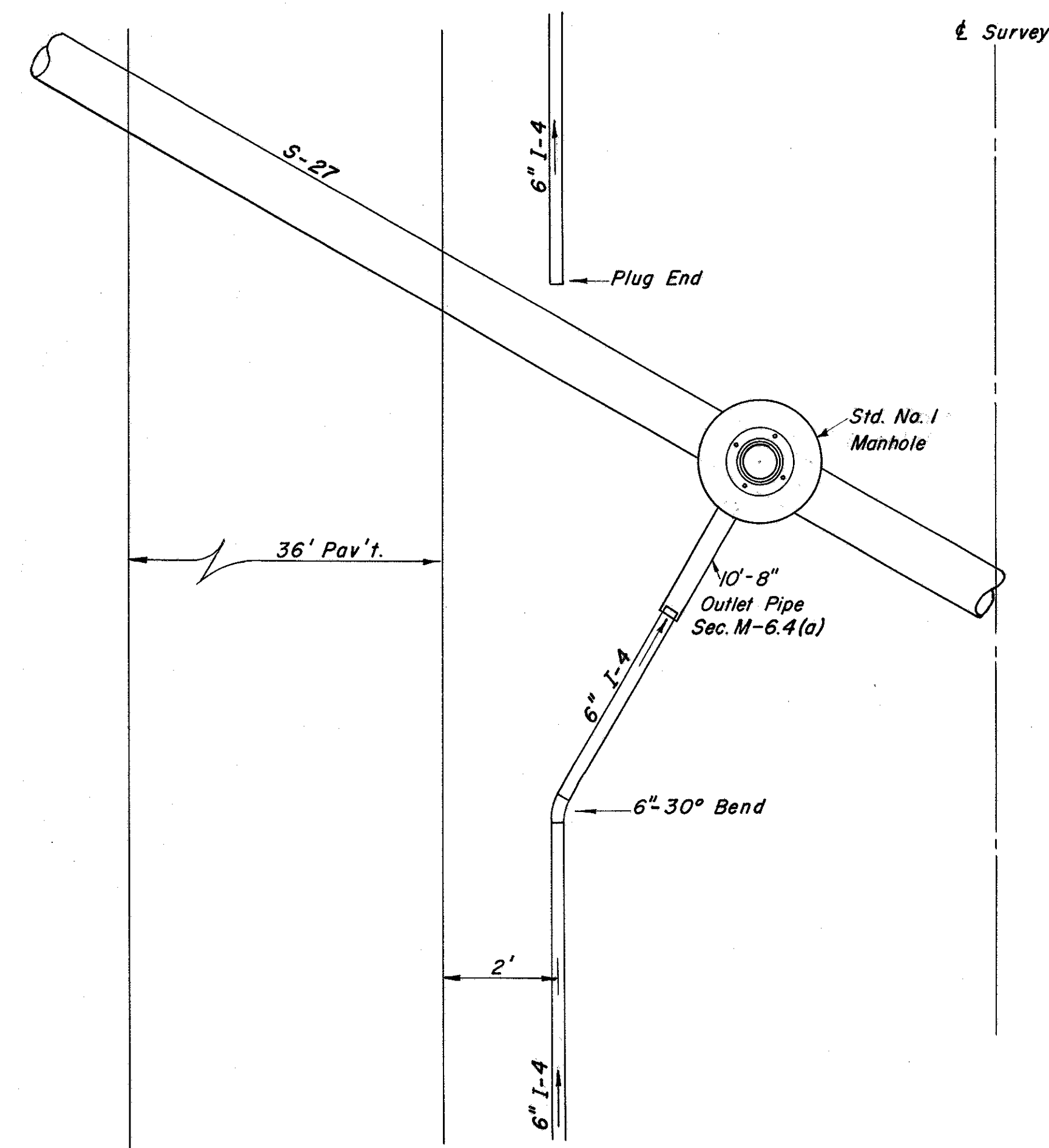
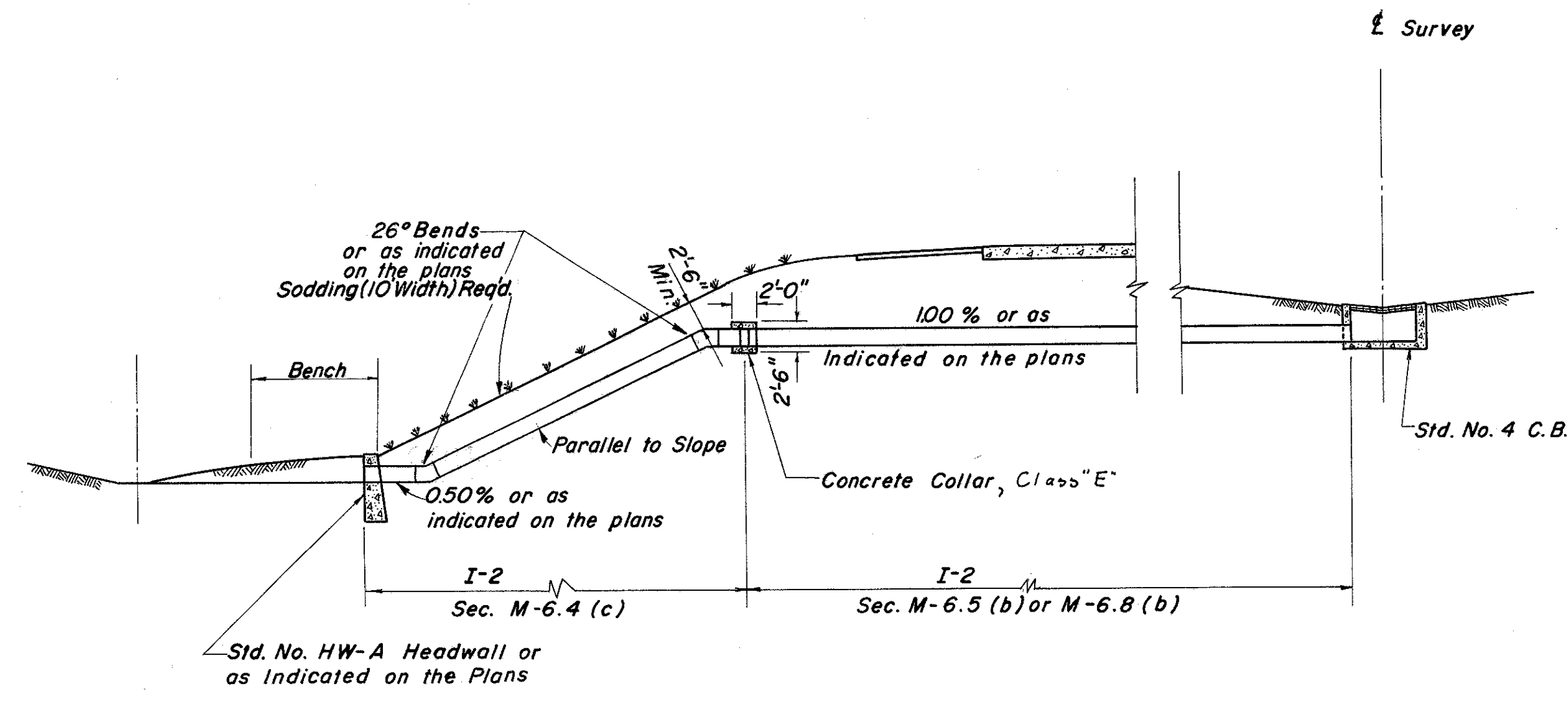


LAKE COUNTY  
LAK-1-2.16

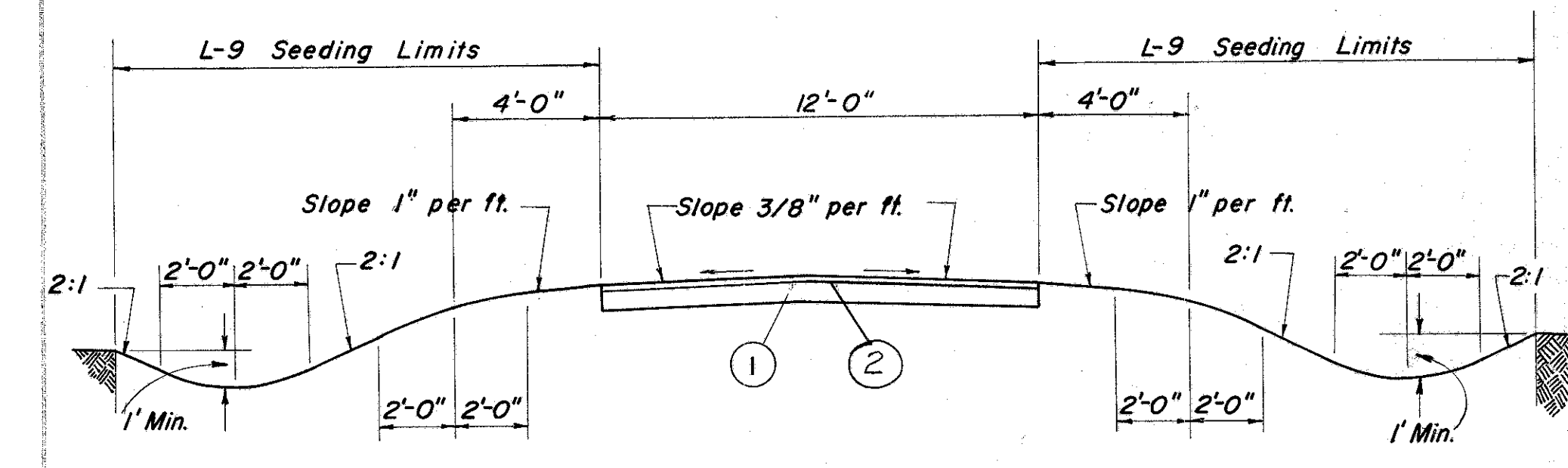


UNDERDRAIN OUTLET DETAIL "H"



NOTE: Concrete collar to be included in bid price for I-2 pipe

MEDIAN OUTLET DETAIL IN HIGH FILL "K"



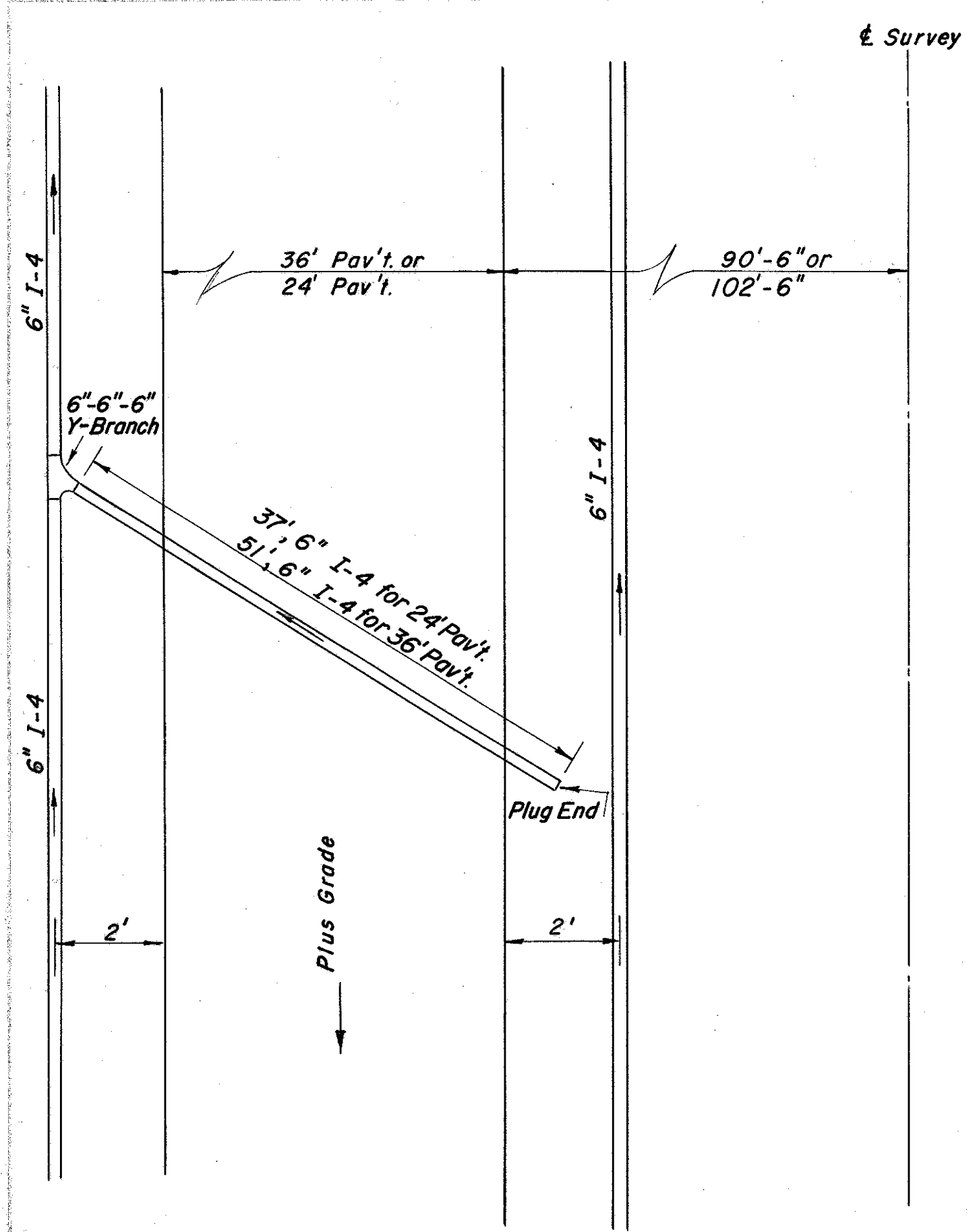
- ① B-19 Aggregate Base Course
- ② T-35 Asphaltic Concrete Surface Course, Type "A", 70-85

KIND OF DRIVE	THICKNESS-INCHES	
	B-19	T-35
Field	6	0
Residence	5	2 - To R/W Line
Residence	8	0 - Outside R/W.

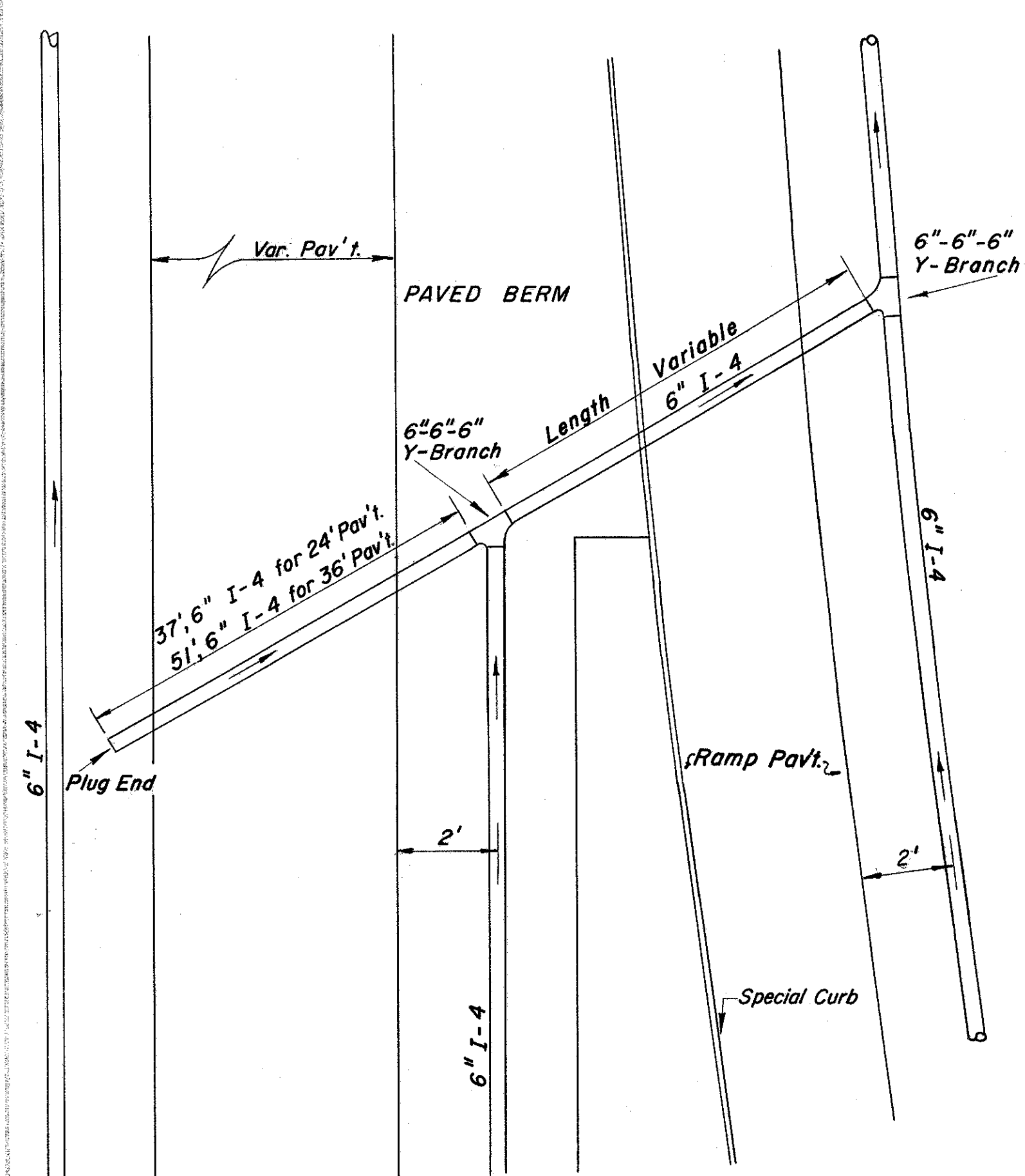
TYPICAL SECTION TYPE 2 DRIVE (S.L. 91 only)

Scale: 1/4" = 1'-0"

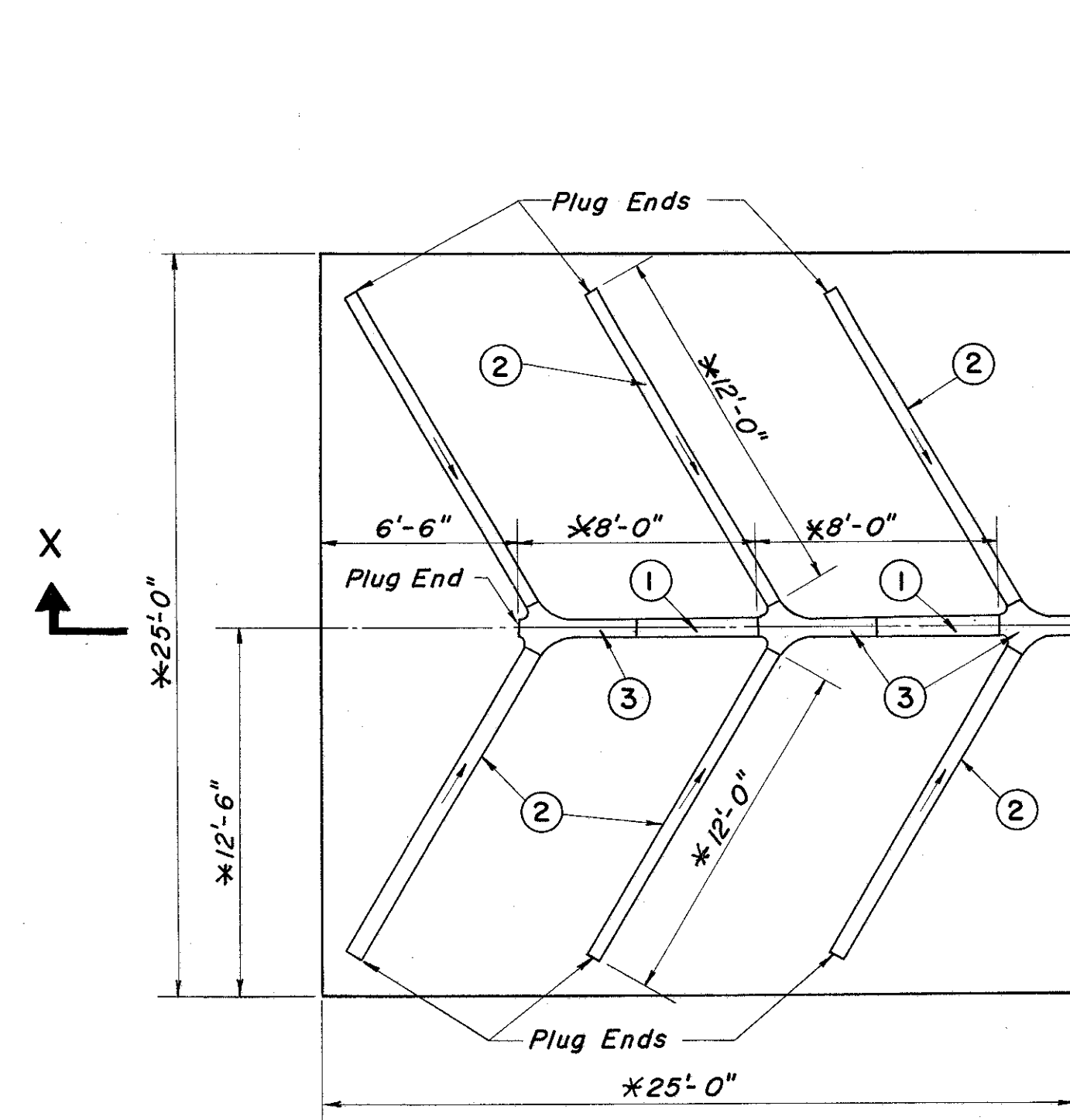
NOTE: For Hanna Road Connection and Maple Grove Road, all proposed driveway pavement shall be 8" B-19 material, whether inside or outside the right-of-way.



UNDERDRAIN OUTLET DETAIL "G"



UNDERDRAIN OUTLET DETAIL "J"



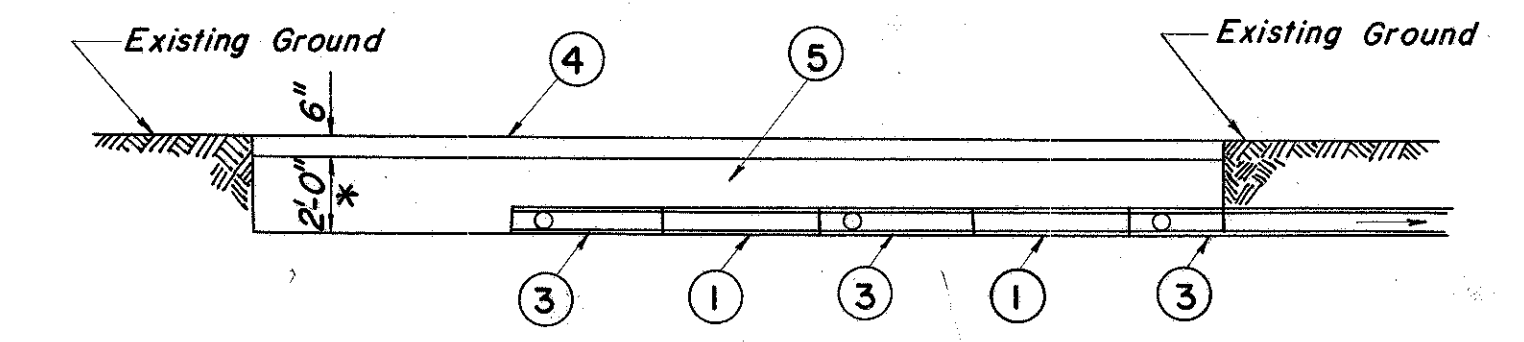
\* NOTE: These dimensions subject to adjustment by the Engineer at the time of construction

TYPICAL SPRING DRAINAGE DETAIL

SPRING DRAINAGE QUANTITIES

- ① Item I-2 8" Underdrains 8 Lin. Ft. - Sec. M-6.4(h)
- ② Item I-4 6" Underdrains 72 Lin. Ft. - Sec. M-6.4(h)
- ③ Item I-5 8" Pipe Specials for Underdrains (8"x6" Double Y Branch) 3 Each Sec. M-6.4(h)
- ④ Item I-22 6" Subbase Grading A or B, as per Plan 12 Cu. Yds.
- ⑤ Item S-29 Drainage of Structures No. 2 Aggregate 47 Cu. Yds.

NOTE: Cost of Excavation for Pad shall be included in Price Bid for Item S-29.



SECTION X-X

MICHAEL BAKER, JR., CONSULTING ENGINEERS  
ROCHESTER PENNSYLVANIA

STATE OF OHIO  
DEPARTMENT OF HIGHWAYS  
STATE HIGHWAY NO. 1  
C-43  
MISCELLANEOUS DETAILS

Designed	Drawn	Traced	Checked	Reviewed Date	Revised
B.P.	3	A.L.H.	F.A.N.		