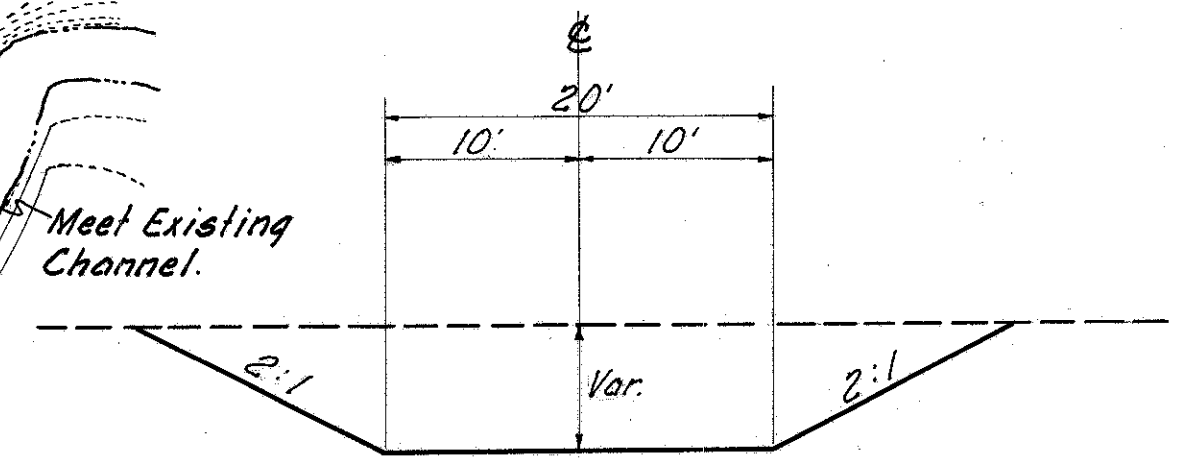


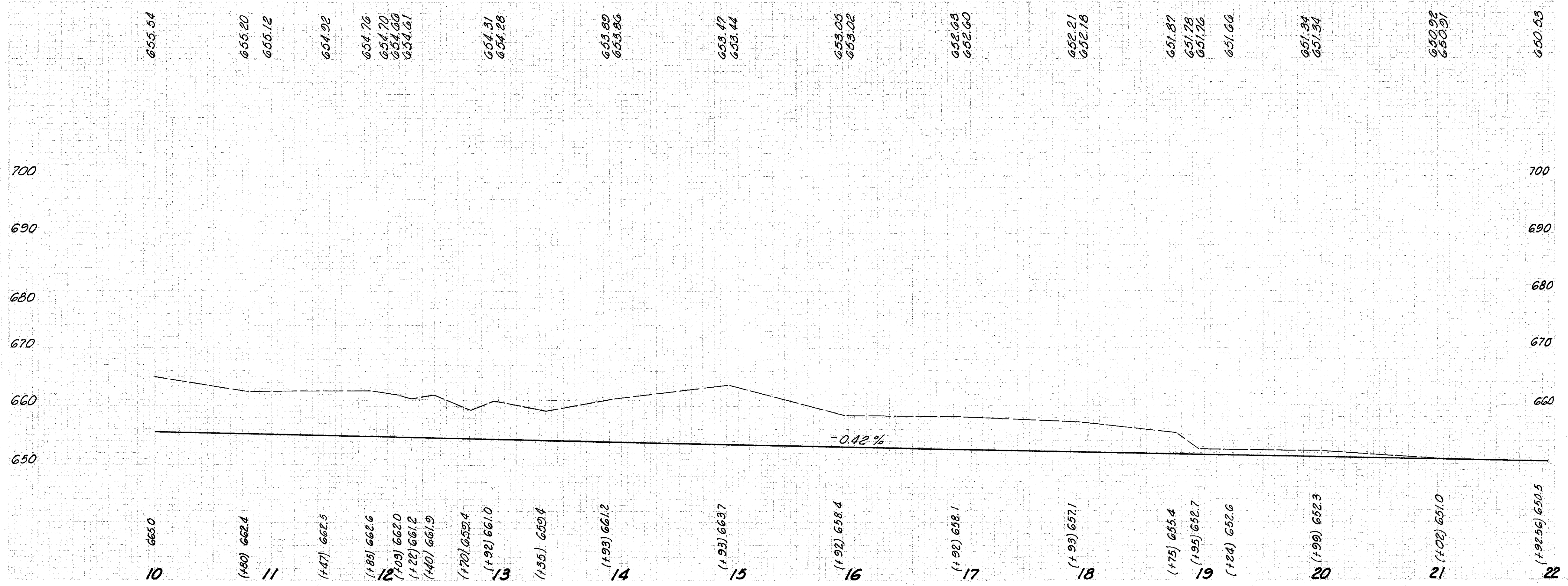
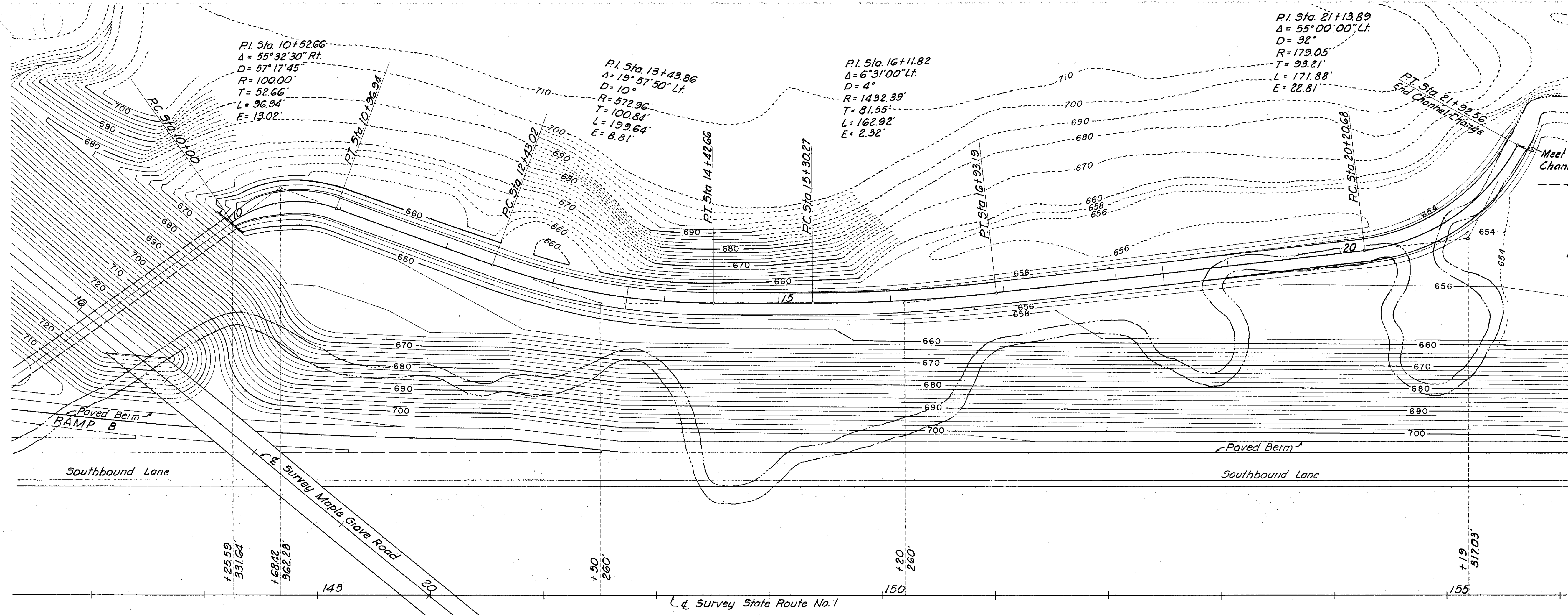
LAKE COUNTY
LAK-1-2.16



TYPICAL SECTION OF CHANNEL CHANGE
Scale: 1"=10"

NOTE -
SHEET 252 OMITTED

NOTE: Quantities carried on S.R. No. 1
Cross Section Sheets.



MICHAEL BAKER JR., CONSULTING ENGINEERS
ROCHESTER, PENNSYLVANIA

STATE OF OHIO
DEPARTMENT OF HIGHWAYS
STATE HIGHWAY NO. 1
C-43
GRADING PLAN AND CHANNEL CHANGE LT.
STA. 144+26 TO STA. 155+55

Designed	Drawn	Traced	Checked	Reviewed	Date	Revised
B.P.	J.A.H.	J.A.H.	H.v.V.			