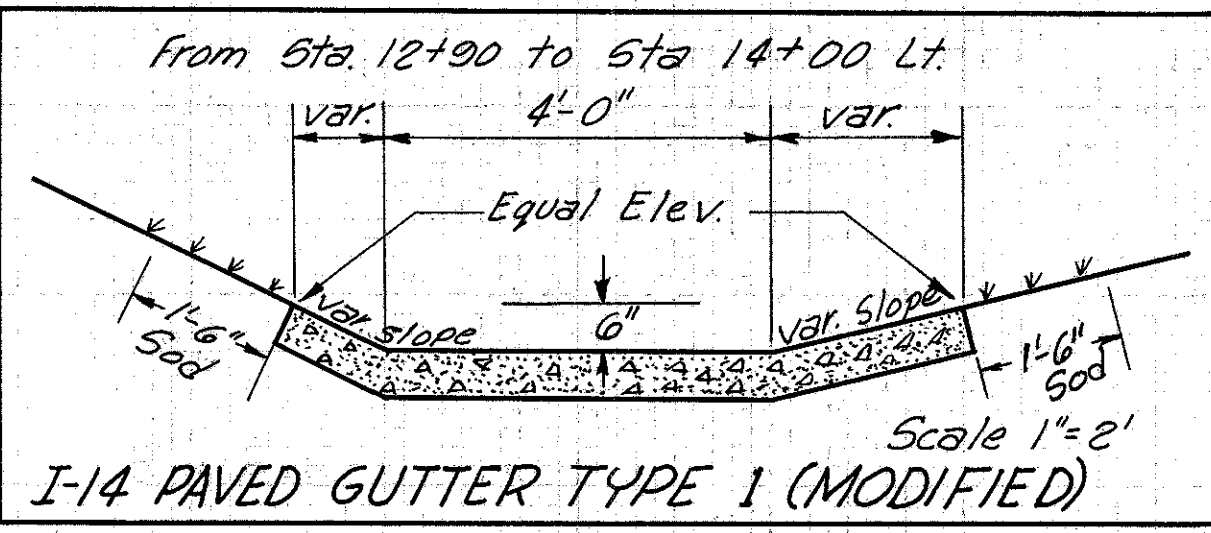
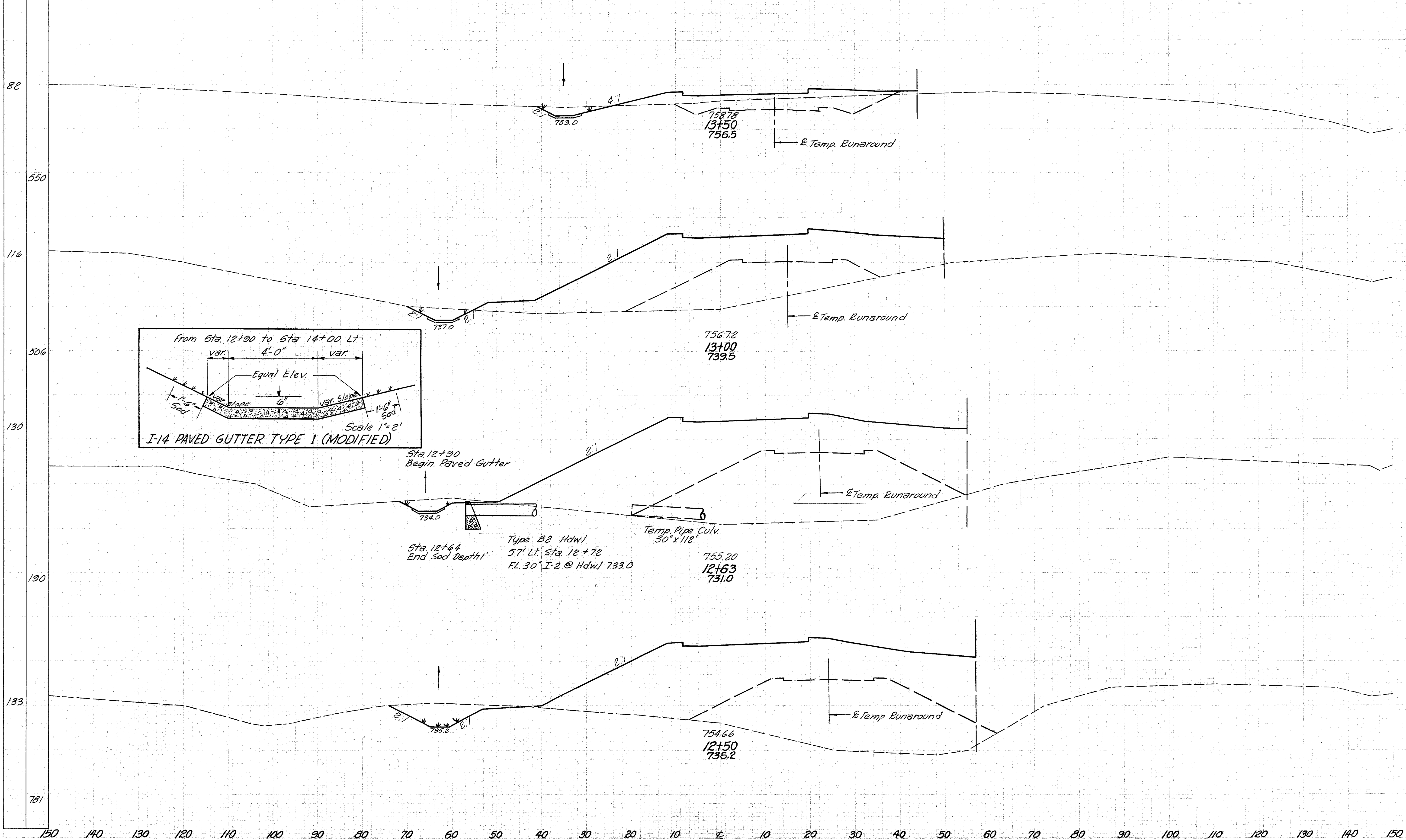


Seeding  
End  
Width Sq.Yd.

LAKE COUNTY  
LAK-1-2.16



End Area		Volume	
Cut	Fill	cut	Fill
21	86		
		44	1100
26	1102		
		36	2046
27	1884		
		25	867
77	1719		
		156	2559