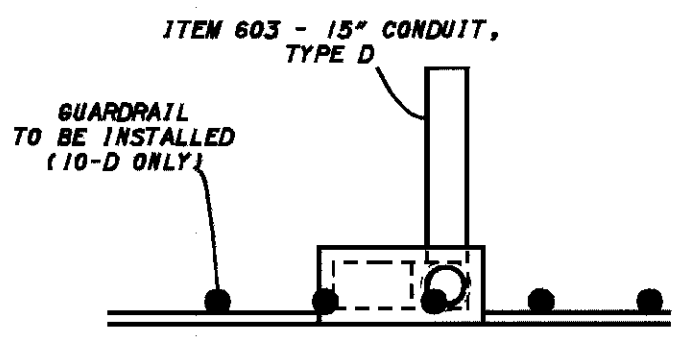
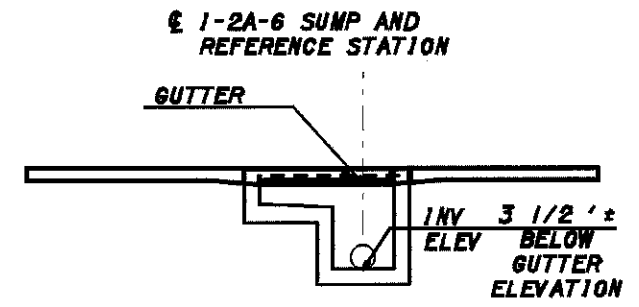


*(SEE SHEET 4)
 ** (SEE UNDERDRAIN LOCATION SHEET, SHEET 17)

UNDERDRAIN REFERENCE ##	605			STATION	6" CONDUIT, TYPE F, 707.33	603			203		601	207	670	673	SPECIAL	
	FROM	TO	LIN. FT.			UNDERDRAIN OUTLET REFERENCE ##	STATION	FROM	TO	SLOPE SURFACE AREA SQ. YD.	EXCAVATION NOT INCLUDING EMBANKMENT CONSTRUCTION CU. YD.	EMBANKMENT, AS PER PLAN "A" #	DUMPED ROCK FILL, TYPE D CU. YD.	TEMPORARY EROSION CONTROL, MISC. TEMPORARY SLOPE PROTECTION SQ. YD.	SLOPE EROSION PROTECTION, AS PER PLAN (0.25 x SLOPE AREA) SQ. YD.	SEEDING AND EROSION CONTROL BLANKET, TYPE C SQ. YD.
A	536+75	538+55	180	A-1	538+39	20	536+50	536+86	330	816	840	96	330	85	260	50
B	536+75	538+55	180	B-1	538+39	25	536+86	537+00	200	357	374	40	200	50	120	65
C	536+75	538+55	180	C-1	538+39	10	537+00	537+40	745	2,034	1,900	240	745	190	745	390
				C-2	538+39	100	537+40	538+00	1,435	4,450	3,800	480	1,435	360	1,435	690
D	536+75	538+20	145	D-1	538+00	25	538+00	538+39	855	2,457	1,872	254	855	225	855	400
E	536+75	538+20	145	E-1	538+00	25	538+39	538+70	525	1,364	1,065	140	525	130	345	235
F	536+75	538+20	145	F-1	538+00	40	538+70	539+00	425	1,055	1,015	100	425	110	290	160
G	536+75	538+20	145	G-1	538+00	45	539+00	539+50	530	1,000	1,000	120	530	130	335	280
H	537+35	537+70	35	H-1	537+35	50	539+50	539+70	165	70	57		165	40	85	0
I	537+35	537+70	35	I-1	537+35	55	INLETS			7						
J	537+00	539+65	265	J-1	539+65	15	539+70	540+00	175	105	105		175	45	0	0
K	537+00	540+00	300	K-1	540+00	25										
L	537+00	539+20	220	L-1	539+00											
M	537+20	539+20	200	M-1	539+00	30										
N	537+20	539+20	200	N-1	539+00	35										
O	537+20	539+20	200	O-1	539+00	40										
P	537+20	539+20	200	P-1	539+00	45										
Q	537+20	539+20	200	Q-1	539+00	50										
R	537+20	539+20	200	R-1	539+00	50										
S	537+70	538+15	45	S-1	538+15	50										
T	537+70	538+15	45	T-1	538+15	55										
U	538+50	538+90	40	U-1	538+80	40										
V	539+75	540+00	25	V-1	540+00	15										
TOTAL OF ABOVE			3,330			845				13,715	12,028	1,470	5,385	1,365	4,470	2,270
EXTRA			370			155				1,385	1,372	150	515	135	530	230
TOTALS TO GEN. SUM.			3,700			1,000				15,100	13,400	1,620	5,900	1,500	5,000	2,500



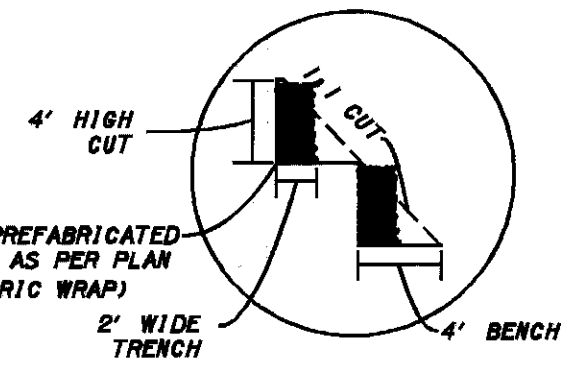
PLAN
 DETAIL FOR 10-D
 4-D IS MIRROR IMAGE
 OMIT GUARDRAIL
 SEE SHEET XX



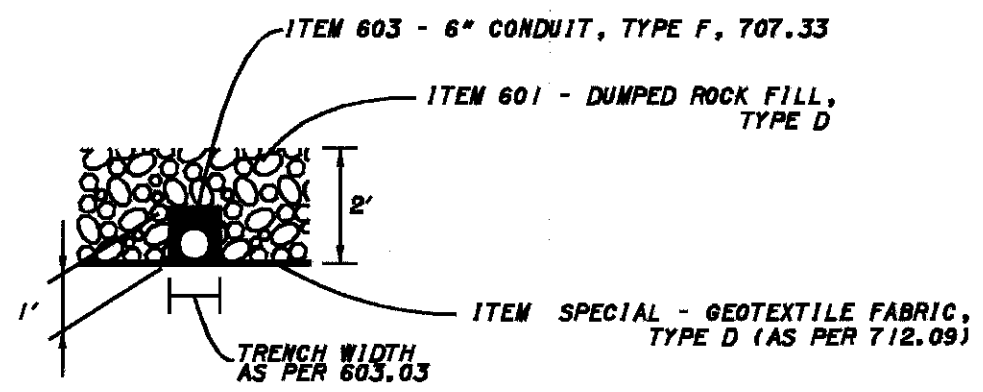
ELEVATION

NOTES
 - SEE STD DWG 1-2A FOR ADDITIONAL DETAILS

INLET DETAILS



TYPICAL UNDERDRAIN DETAIL



UNDERDRAIN OUTLET DETAIL

PLOTTED BY: dstpckov
 PLOTTED FROM: r:\users\dstpckov\design\drainage\90-1786.90-qpb.dgn
 901786gm.dgn
 PLOT SUBMITTED: 09-JAN-1998 08:10

UNDERDRAIN/EARTHWORK SUB SUMMARY & DETAIL SHEET
 LAK-90-17.86
 15/86