

GENERAL NOTES

PAVING UNDER GUARDRAIL (CONTD.)

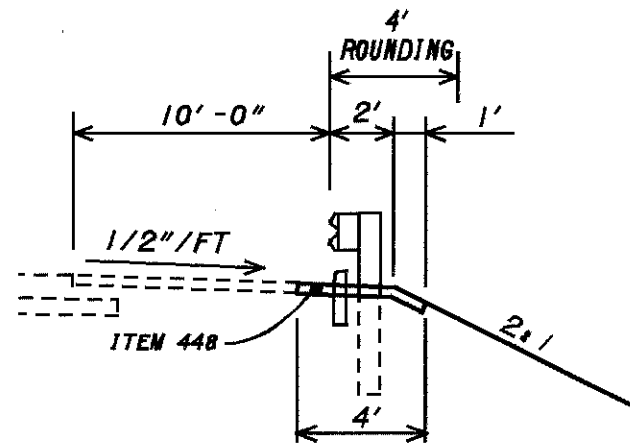
- 4) PATCH AROUND POSTS. THE MATERIALS USED FOR PATCHING SHALL BE A BITUMINOUS CONCRETE APPROVED BY THE ENGINEER. PATCHED AREAS SHALL BE COMPACTED USING EITHER HAND OR MECHANICAL METHODS. FINISHED SURFACES SHALL BE SMOOTH AND SLOPED TO DRAIN AWAY FROM THE POSTS.

ALL EQUIPMENT, MATERIALS AND LABOR REQUIRED TO PERFORM THE WORK OUTLINED ABOVE, WITH THE EXCEPTION OF SETTING GUARDRAIL POSTS, SHALL BE INCLUDED FOR PAYMENT UNDER ITEM 448 - ASPHALT CONCRETE SURFACE COURSE, UNDER GUARDRAIL, TYPE 1, PG 64-22, AS PER PLAN.

ITEM 630 - REMOVAL OF GROUND MOUNTED SIGN AND REERECTION, AS PER PLAN

THE CONTRACTOR WILL BE REQUIRED TO REMOVE AN EXISTING SIGN DUE TO INTERFERENCE WITH THE PROPOSED WORK. THE SIGN SHALL BE REERECTED WITHIN 100' EAST OF ITS CURRENT LOCATION.

ALL EQUIPMENT, MATERIALS AND LABOR REQUIRED TO PERFORM THE WORK OUTLINED ABOVE SHALL BE INCLUDED FOR PAYMENT UNDER ITEM 630 OF THE SPECIFICATIONS.



GUARDRAIL PAVING DETAIL

GUARDRAIL PANEL SHALL BE PLACED FLUSH WITH THE TYPE 6 CURB
CURB SHALL BE INSTALLED PRIOR TO ASPHALT OR GUARDRAIL

PLOTTED BY: dstupkov
PLOTTED FROM: I:\users\dstupkov\design\drainage\1\90-1786\901786gn.dgn
901786GNF.DGN
PLOT SUBMITTED 09-JAN-1998 06:09