

NOTES

STREAM CROSSINGS: Where chain link fence is to be constructed continuously across streams, and stream crossing closures are required by the plans, the closure shall be constructed in accordance with the details shown on Std. Constr. Dwg. F-3.4M, modified as necessary to conform with chain link fence dimensions and details.

TENSION WIRE: Wire shall be used instead of the top rail when specified on the plans as Item 607, Fence, Type CLT. The wire shall be stretched taut and fastened to or passed through the top fitting. The fence shall be fastened to the tension wire with fabric ties consisting of hog rings every 600 mm or less.

GATES: Each gate shall be equipped with an approved padlock with a double locking bolt, a five-pin tumbler, a laminated steel case, and a brass cylinder, and shall be rust-proof. Where companion gates are installed on opposite sides of the highway tumblers shall be identically set in each lock so that the same key will open each lock. Two keys shall be furnished with each padlock. The cost of the padlock and keys shall be included in the cost of the gate.

POST ENCASEMENT: Line posts shall normally be driven to an embedment depth of 1.2 meters. Where soil or other conditions do not permit driving to this depth, post holes shall be dug or bored and the posts encased in concrete. Posts located in unconsolidated fills or other loose soils, in dips or other depressions in the ground surface, or installed with fabric exceeding 1525 mm in height shall also be encased in concrete.

Steel drive anchors may be used as an alternate to concrete encasement of line posts. All end, corner and pull panel posts shall be encased in concrete.

FRAMEWORK AND FABRIC: Materials may be any type permitted by CMS 710.03.

FENCE GROUNDING: When needed for overhead electrical lines, grounding is to be in accordance with Std. Constr. Dwg. HL-50.11M.

All dimensions are in millimeters unless otherwise noted.



This Drawing Replaces F-1.

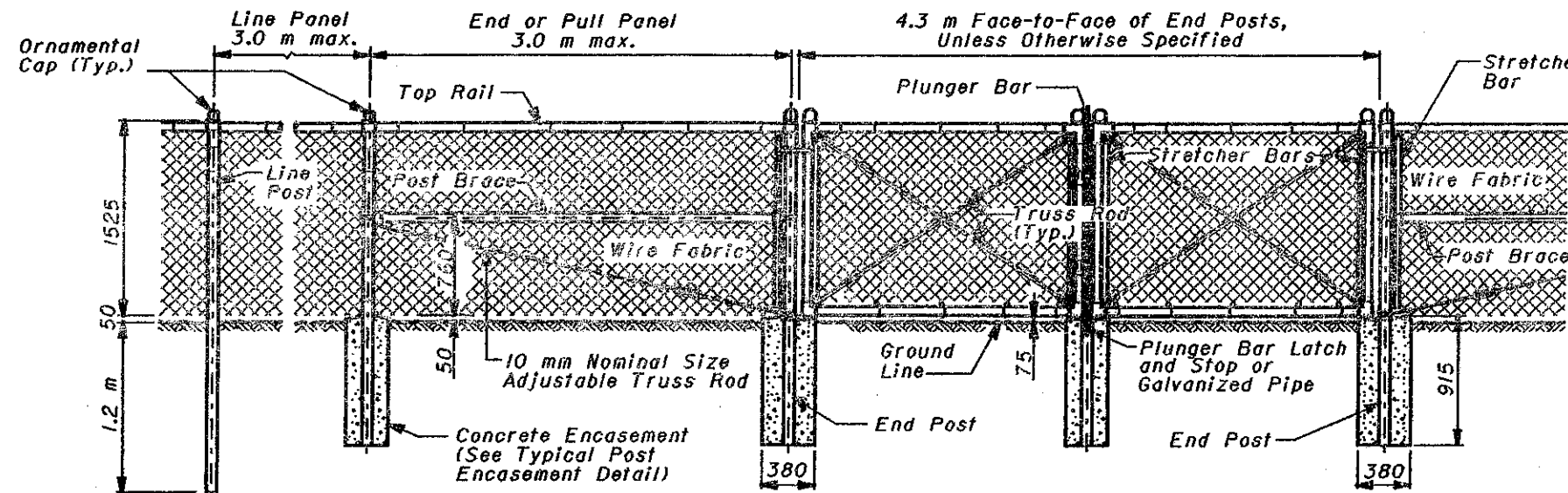
OFFICE OF PLANNING
OHIO DEPARTMENT OF TRANSPORTATION

CHAIN LINK FENCE

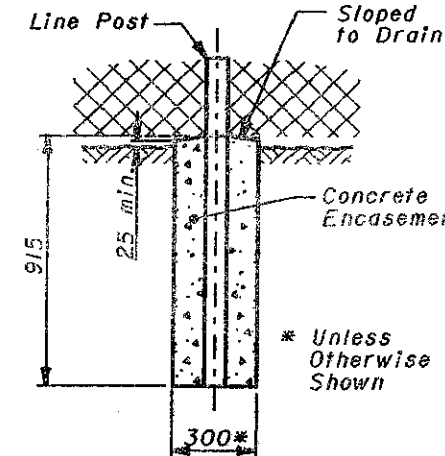
DATE
4-21-95
4-8-97

STANDARD CONSTRUCTION DRAWING
F-1.1M

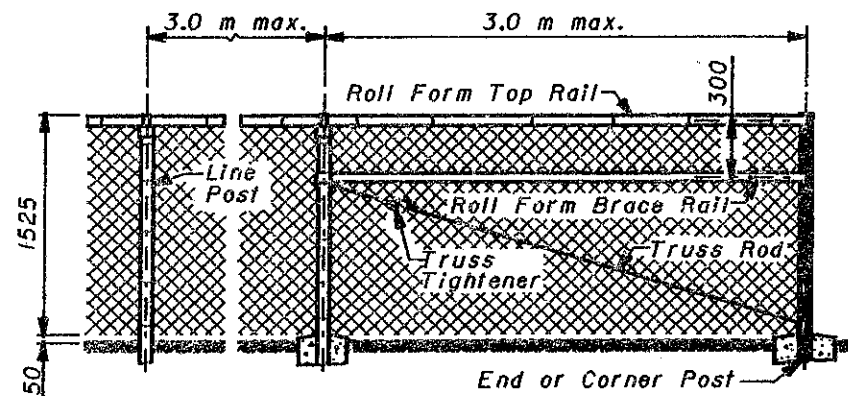
APPROVED: *Ray F. Luberland*
ADMINISTRATOR



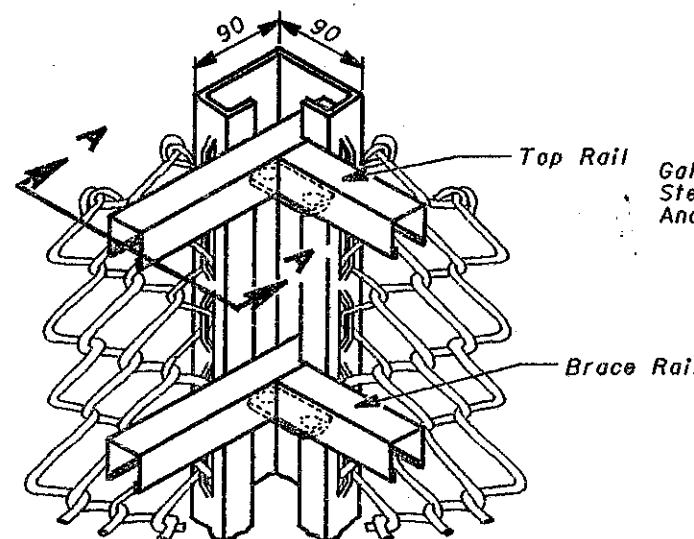
TYPE CL FENCE



TYPICAL POST ENCASEMENT

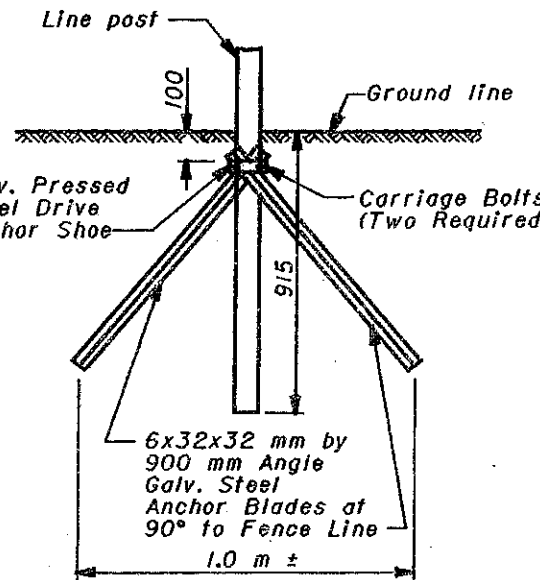


ROLL FORM ALTERNATE



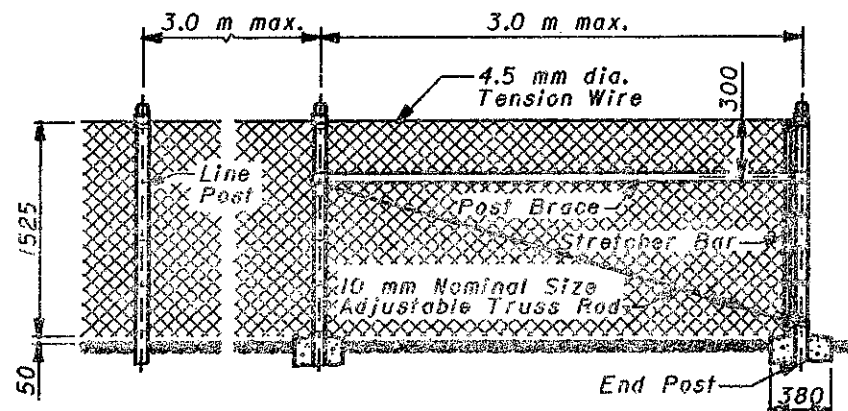
See Section A-A for Connector Detail

ROLL FORM ALTERNATE CORNER POST
Fabric Outside

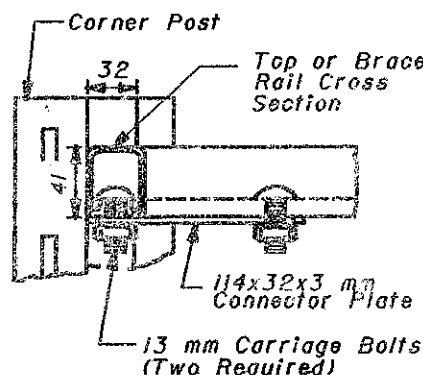


DRIVE ANCHOR DETAIL

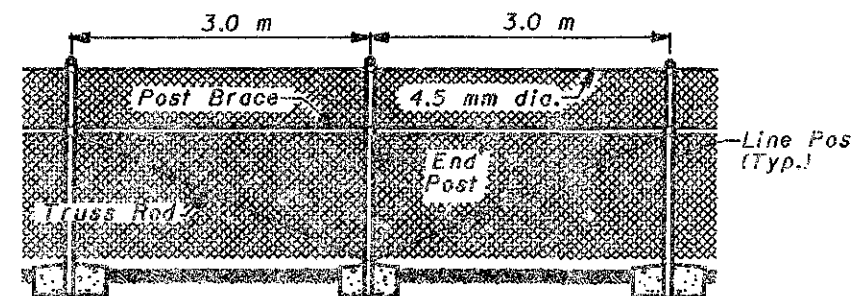
For Line Post Alternate



TYPE CLT FENCE



SECTION A - A



INTERMEDIATE ANCHOR POST ASSEMBLY

For Type CLT Fence