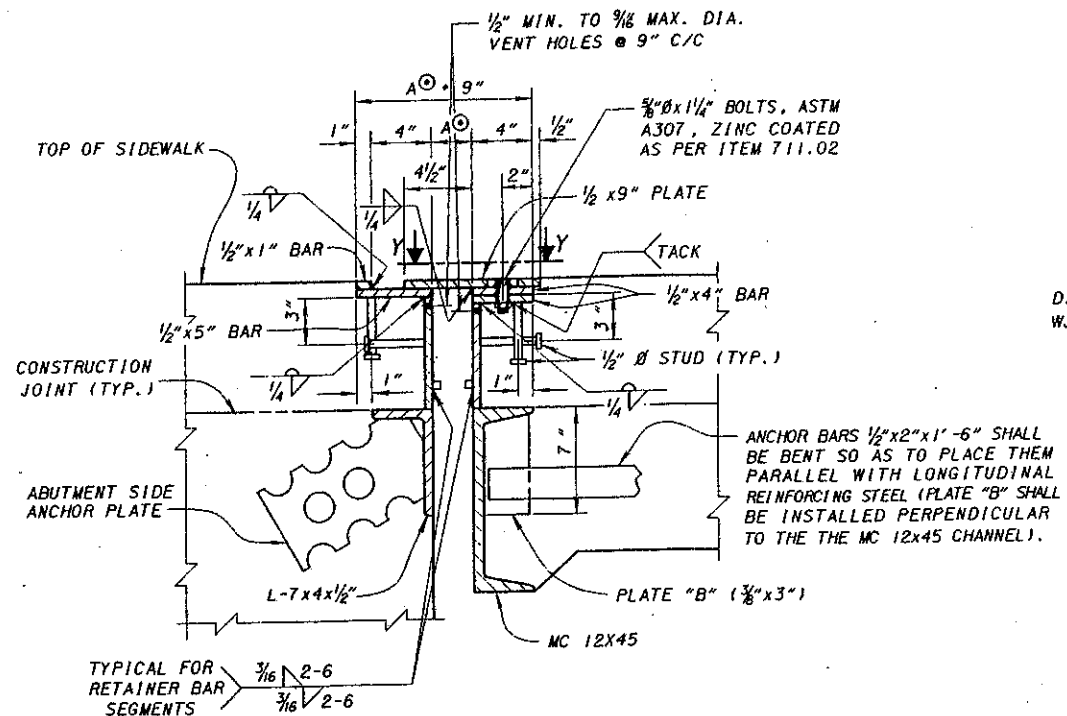
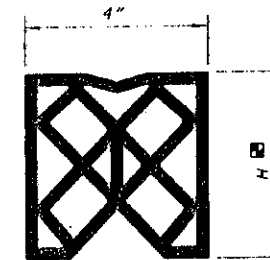


**PART PLAN AT ABUTMENT**  
FOR BRIDGES WITH SIDEWALK PARAPET RAILING



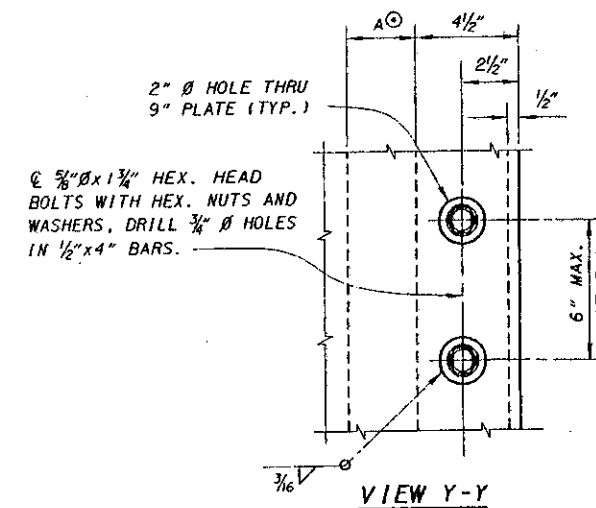
**SECTION G-G**



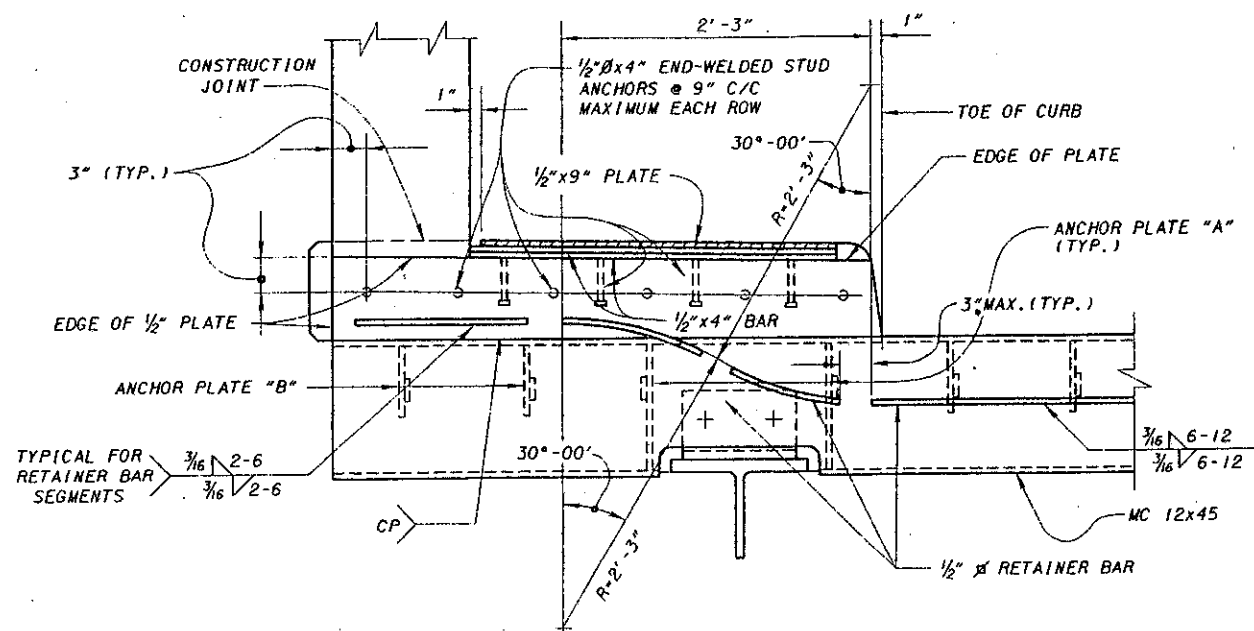
**COMPRESSION SEAL DETAIL**

D. S. BROWN'S CV4000, WATSON-BOWMAN, ACME'S WJ400, OR AN APPROVED ALTERNATE.

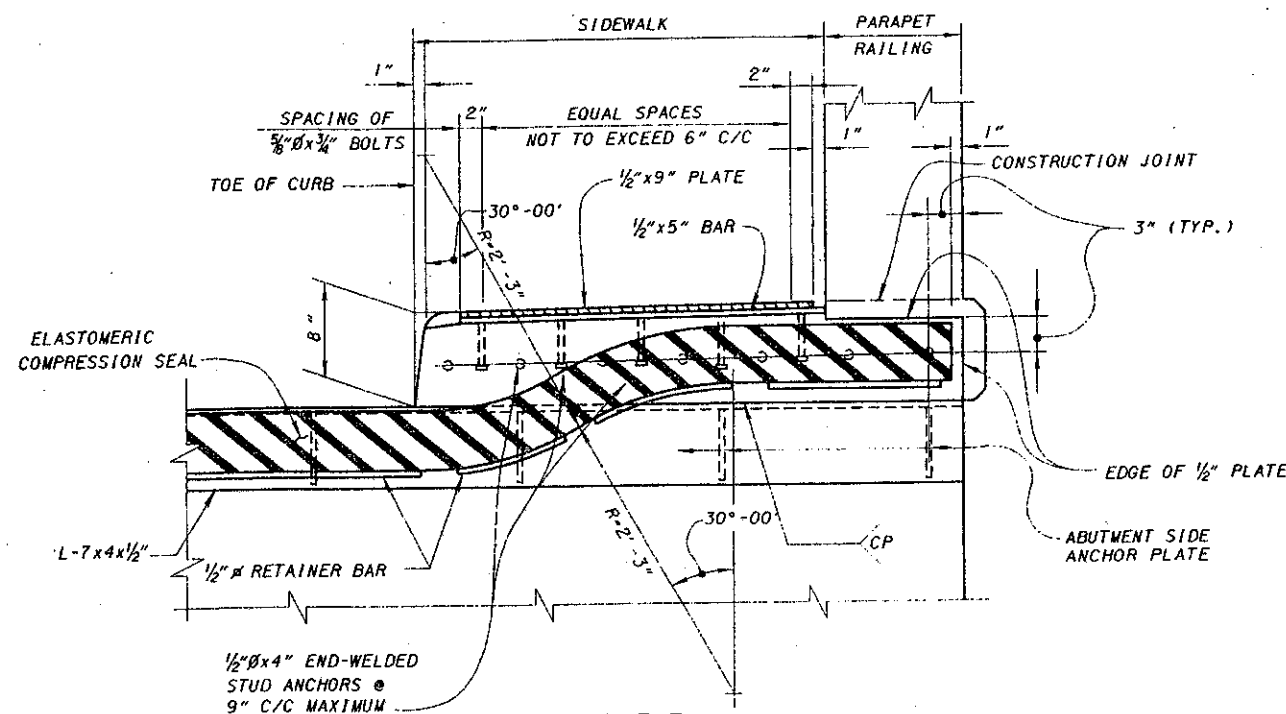
SEE THE MANUFACTURER'S CATALOGUE FOR THE SEAL ACTUALLY CHOSEN FOR USE.



**VIEW Y-Y**



**SECTION E-E**  
SEAL NOT SHOWN



**SECTION F-F**  
SEE SECTION E-E FOR OTHER DETAILS NOT SHOWN

FOR SECTION A-A SEE SHEET 1/3

SEE SHEET 3/3 FOR GENERAL NOTES AND FOR CONSTRUCTION PROCEDURES.

DESIGN AGENCY	BUREAU OF BRIDGES AND STRUCTURAL DESIGN
STATE OF OHIO DEPARTMENT OF TRANSPORTATION	DATE 9-1-81
DESIGNED BY	ENGINEER OF BRIDGES
CHECKED BY	
REVIEWED BY	
STANDARD	EXJ-2-81
COMPRESSION SEAL EXPANSION JOINTS AT ABUTMENTS FOR STEEL STRINGER STRUCTURES	
REVISIONS	
4-2-84	
2-14-97	
2	3