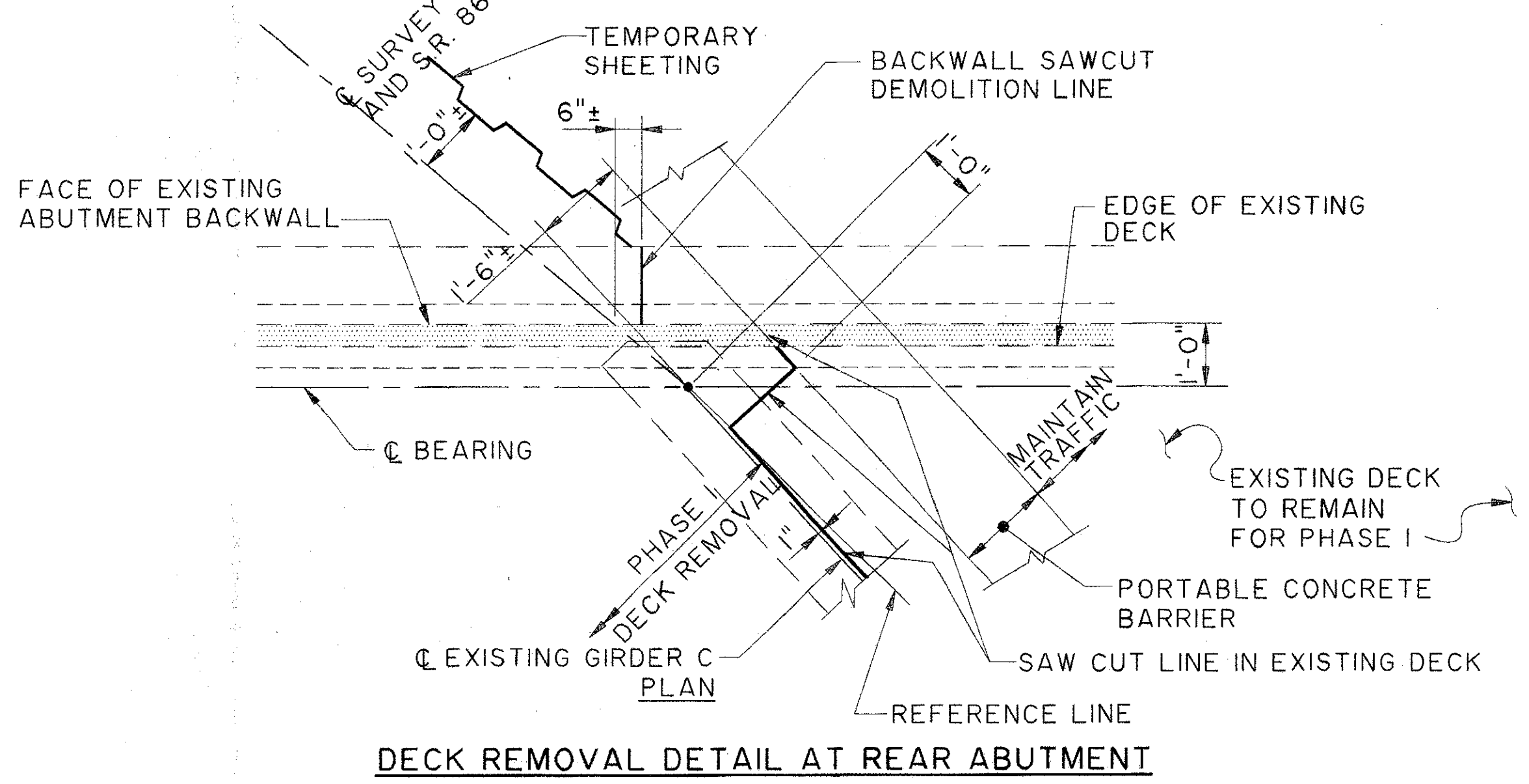
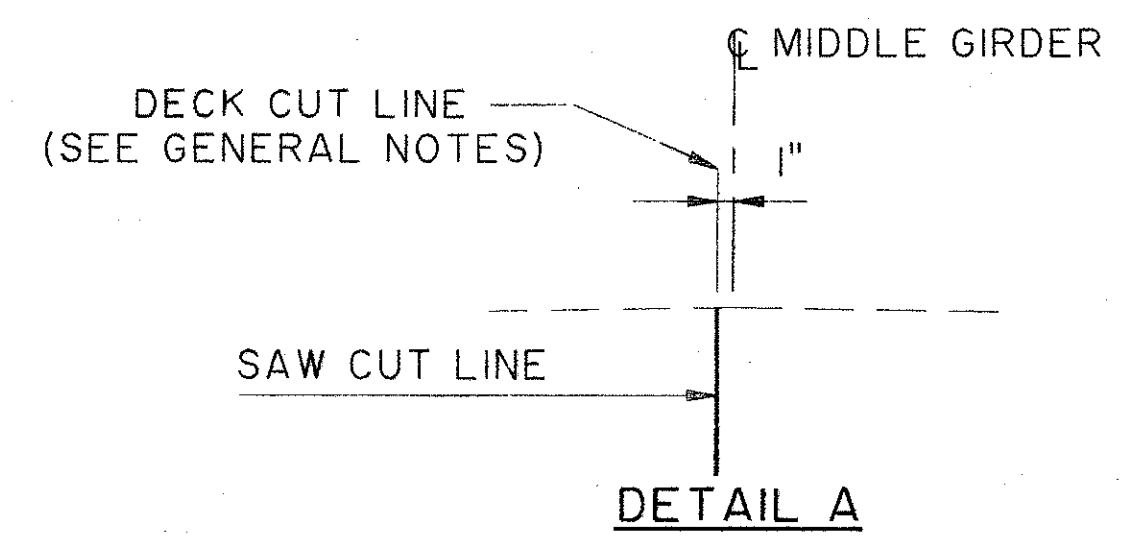
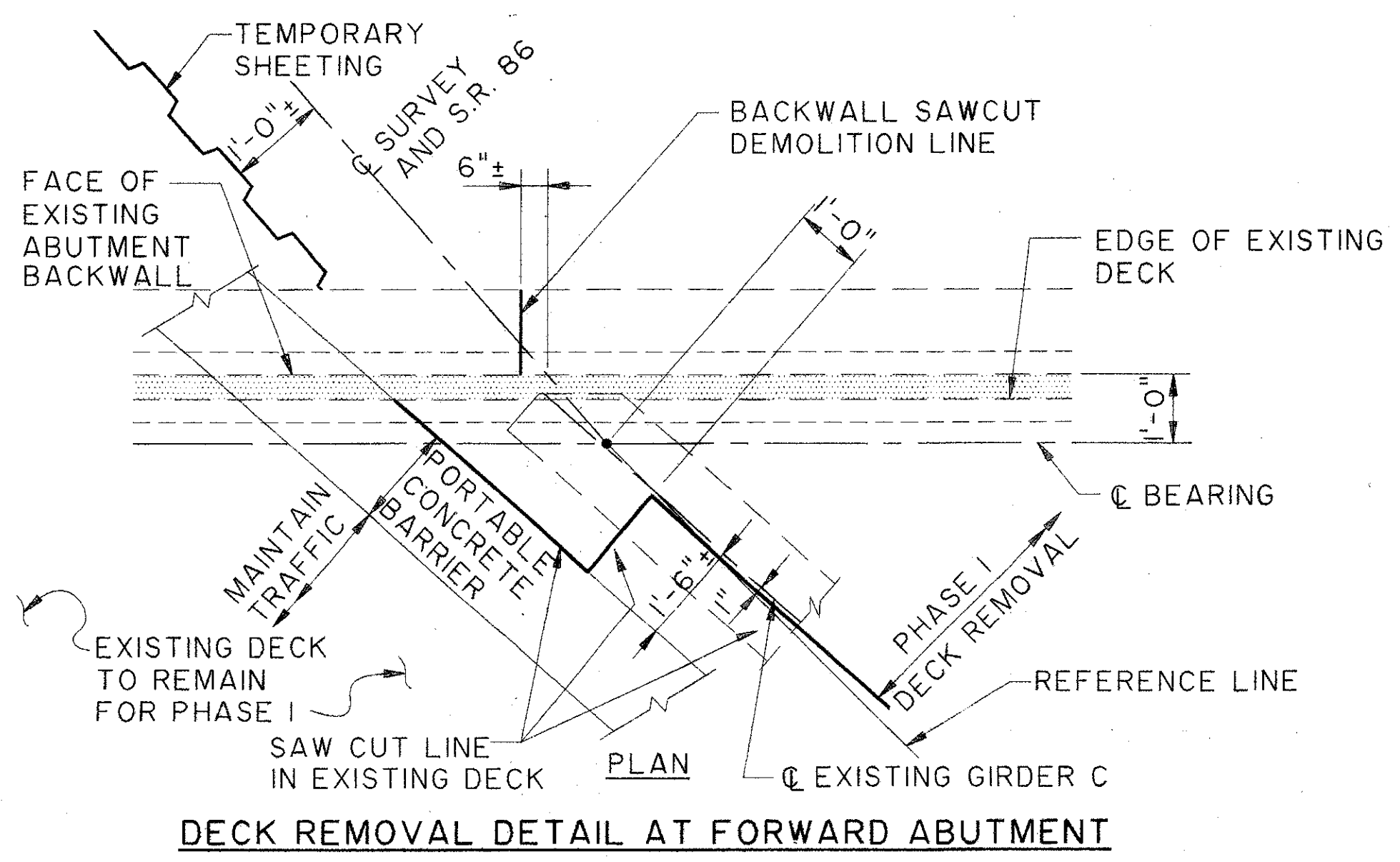


LAKE COUNTY
LAK-90-17.42/25.15/27.76



DECK REMOVAL DETAIL AT REAR ABUTMENT



DECK REMOVAL DETAIL AT FORWARD ABUTMENT

PROPOSED WORK NOTE:

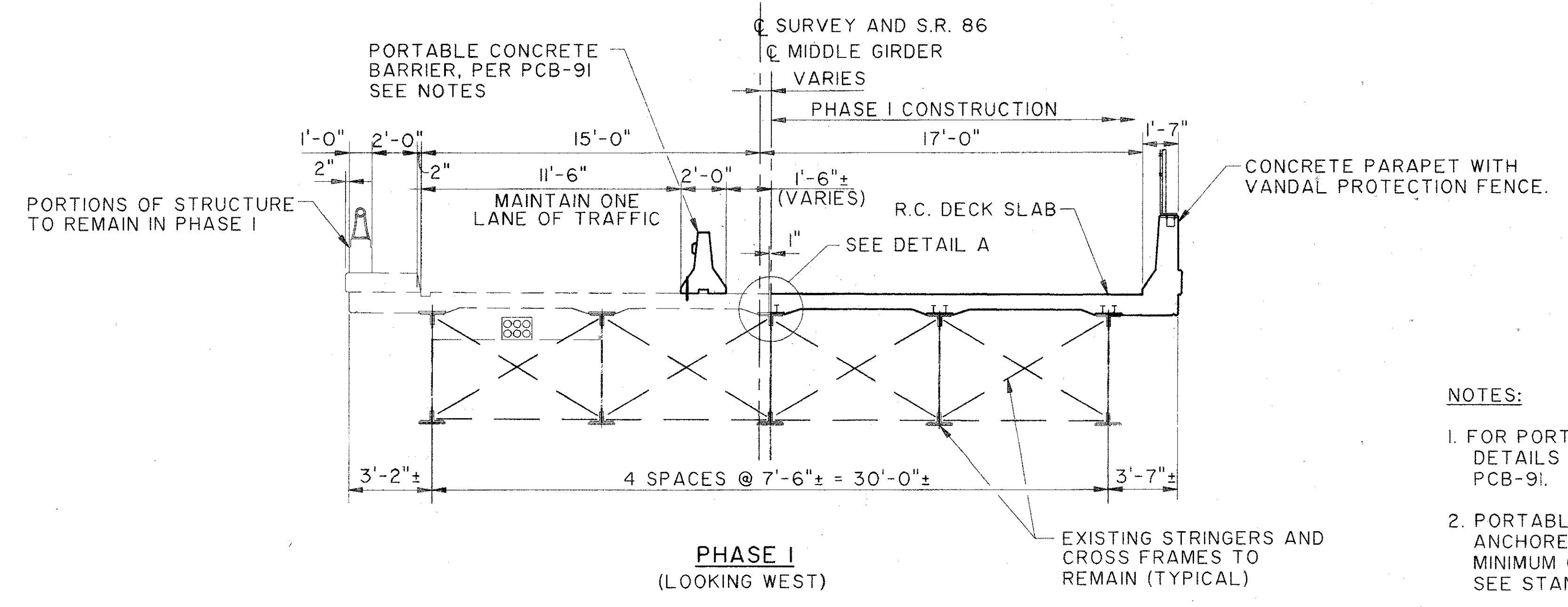
IN GENERAL, THE PROPOSED WORK SHALL CONSIST OF:
 - REMOVAL AND REPLACEMENT OF THE BRIDGE DECK, ABUTMENT BACKWALLS, WINGWALLS, PARAPETS AND STRIP SEAL EXPANSION JOINTS.
 - MODIFICATION OF END CROSS FRAMES
 - APPROACH ROADWAY WORK
 TRAFFIC ON THE BRIDGE HAS TO BE MAINTAINED AND THEREFORE, IT WILL BE NECESSARY TO CONSTRUCT VARIOUS ITEMS OF WORK IN PHASES. THE MAJOR ITEMS OF WORK REQUIRING PHASE CONSTRUCTION ARE DESCRIBED BELOW FOR INFORMATION AND MUST BE COORDINATED FOR MAINTENANCE OF TRAFFIC AND SAFETY REQUIREMENTS.

A. PHASE I CONSTRUCTION

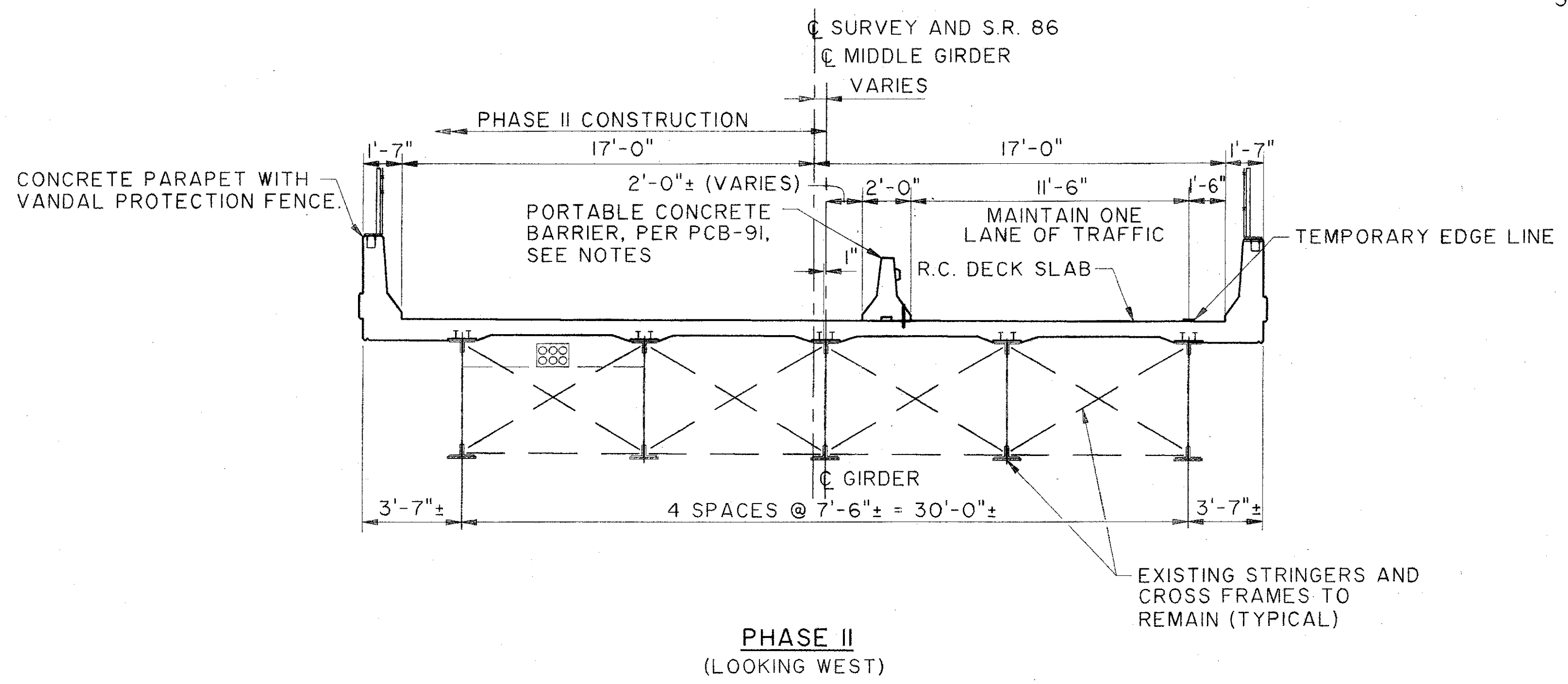
1. CONSTRUCT TEMPORARY PAVEMENT ON LEFT SIDE OF ROAD AS SHOWN ON ROADWAY M.O.T. PLANS. DIVERT THE TRAFFIC TO THE LEFT SIDE OF THE CENTERLINE OF SURVEY, WITH SIGNALIZED CROSSING AND TEMPORARY BARRIER.
2. SAWCUT EXISTING CONCRETE DECK AS SHOWN ON THIS DRAWING.
3. REMOVE PORTIONS OF EXISTING DECK SLAB RIGHT OF SAWCUT LINE.
4. REMOVE PORTIONS OF EXISTING ABUTMENT (BACKWALLS), WINGWALLS, PARAPETS, APPROACH SLABS AND OTHER ITEMS ASSOCIATED WITH THE EXISTING BRIDGE RIGHT OF SAWCUT LINE. SHORE AS NEEDED TO RETAIN REMAINING PAVEMENT WHICH IS CARRYING TRAFFIC. SEE SHEET [4/52] AND SHEETS [8/52].
5. CONSTRUCT PORTIONS OF NEW ABUTMENTS AND WINGWALLS, NEW END CROSS FRAMES AND DECK JOINT.
6. CONSTRUCT PORTIONS OF NEW DECK SLAB, PARAPETS, APPROACH SLABS, FENCE, BRIDGE TERMINAL ASSEMBLIES, GUARD RAIL AND TEMPORARY PAVEMENT, AND SEAL SURFACES RIGHT OF THE SAWCUT LINE.

B. PHASE II CONSTRUCTION

1. REMOVE THE PORTABLE CONCRETE BARRIER FROM THE LEFT SIDE OF THE EXISTING STRUCTURE AND INSTALL THEM ON THE NEWLY CONSTRUCTED PORTION OF THE BRIDGE
2. REMOVE AND REINSTALL TEMPORARY BARRIER ON THE NEWLY CONSTRUCTED PORTION OF THE BRIDGE, AND DIVERT THE TRAFFIC TO THE RIGHT SIDE OF THE BRIDGE.
3. REMOVE REMAINING PORTIONS OF DECK SLAB AND PORTIONS OF ABUTMENT (BACKWALLS), WINGWALLS, PARAPETS, APPROACH SLABS AND OTHER ITEMS ASSOCIATED WITH THE EXISTING BRIDGE LEFT OF THE SAWCUT LINE. SEE SHEET [4/52] THROUGH [8/52].
4. CONSTRUCT REMAINING PORTIONS OF ABUTMENTS, PARAPETS, WINGWALLS, END CROSS FRAMES, DECK JOINT, APPROACH SLABS, FENCE, BRIDGE TERMINAL ASSEMBLIES, GUARDRAIL AND THE DECK SLAB, AND SEAL SURFACES.
5. REMOVE THE PORTABLE CONCRETE BARRIERS AND TEMPORARY CONTROL ITEMS. RESTORE NORMAL TRAFFIC MOVEMENT.



PHASE I (LOOKING WEST)



PHASE II (LOOKING WEST)

NOTES:

1. FOR PORTABLE CONCRETE BARRIER DETAILS SEE STANDARD DRAWING PCB-91.
2. PORTABLE CONCRETE BARRIER TO BE ANCHORED TO BRIDGE DECK WITH A MINIMUM OF 2 ANCHORS PER 10' SEGMENT. SEE STANDARD DRAWING.
3. TEMPORARY BARRIER REFLECTORS AND OBJECT MARKERS ARE TO BE PLACED ON PCB WITH SPACING OF THAT SPECIFIED IN STD. DWG. MT-96.11M.

THE OSBORN ENGINEERING COMPANY 18/52
 CONSULTING ENGINEERS
 CLEVELAND, OHIO 44114

PHASED CONSTRUCTION SECTIONS					
BRIDGE NO. LAK-90-1742 S.R. 86 OVER LAK-90					
LAKE COUNTY	DESIGNED	DRAWN	TRACED	CHECKED	REVIEWED
OHIO	LYH	BFG	JRS	GA	6/93

File Name: K:\VOL1\0007\0185\STRUCT\01855076
 Drawn By/Date: BFG / 06-10-94 (13006)

0006