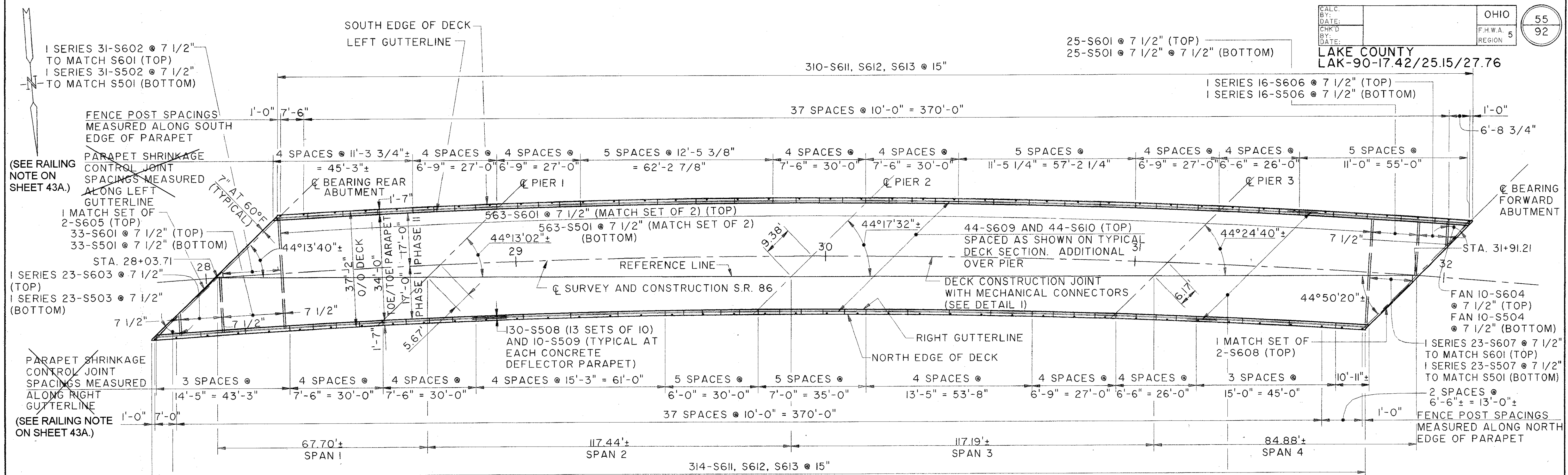


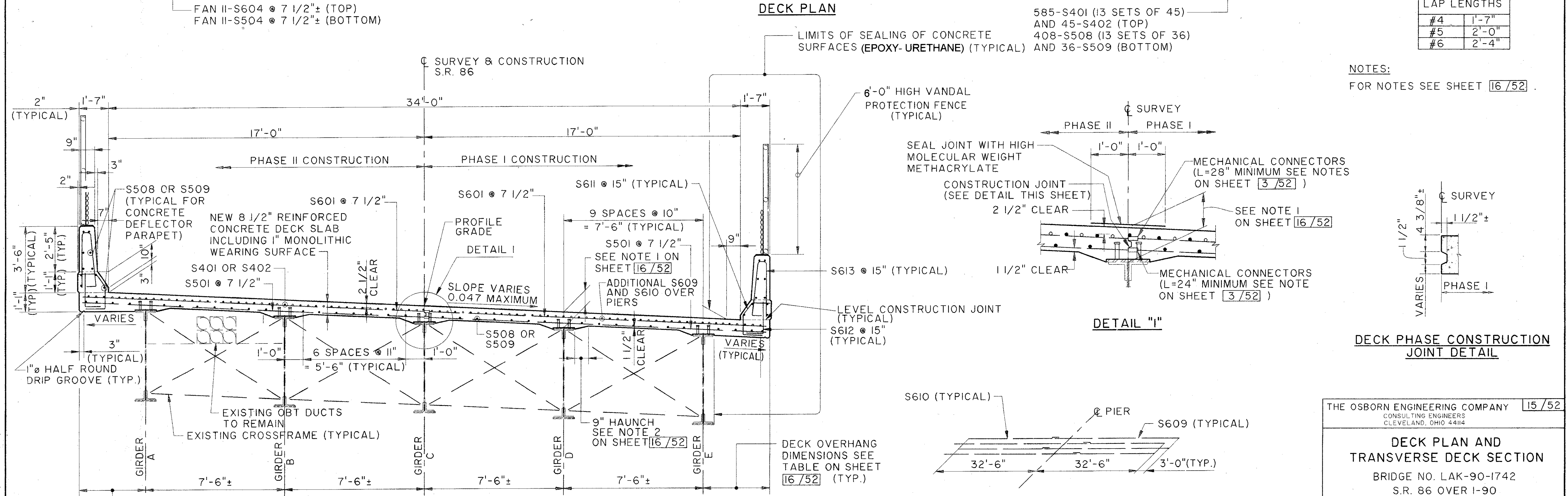
LAKE COUNTY  
 LAK-90-17.42/25.15/27.76



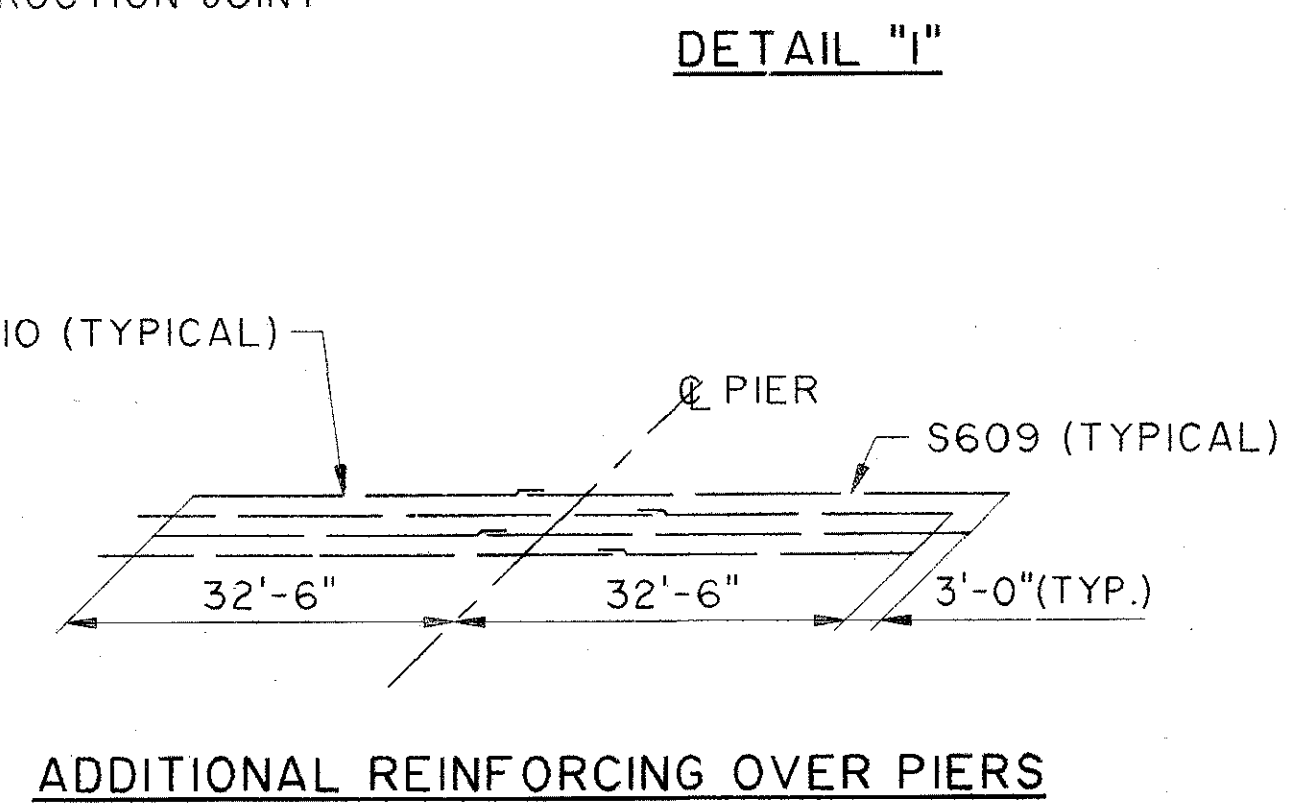
DECK PLAN

LAP LENGTHS	
#4	1'-7"
#5	2'-0"
#6	2'-4"

NOTES:  
 FOR NOTES SEE SHEET 16/52

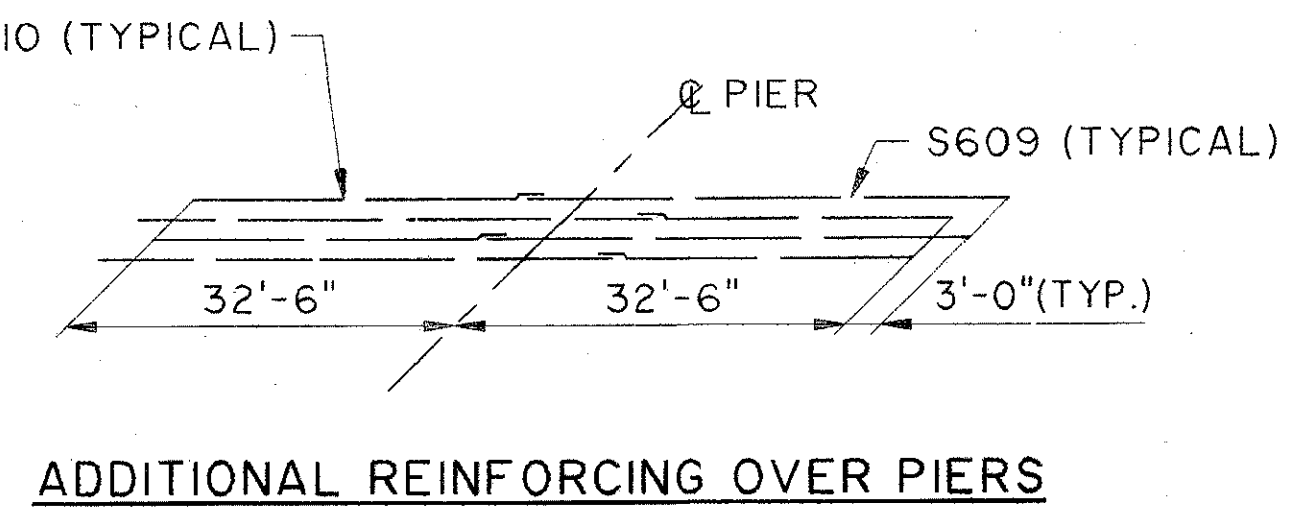


TRANSVERSE DECK SECTION



DETAIL "I"

DECK PHASE CONSTRUCTION JOINT DETAIL



ADDITIONAL REINFORCING OVER PIERS

THE OSBORN ENGINEERING COMPANY 15/52  
 CONSULTING ENGINEERS  
 CLEVELAND, OHIO 44114

LAKE COUNTY OHIO  
 BRIDGE NO. LAK-90-1742  
 S.R. 86 OVER I-90

DESIGNED	DRAWN	TRACED	CHECKED	REVIEWED	DATE	REVISED
LYH	BFG		JRS	GA	2/94	

P:\Projects\9007\0185\STRUCT\01855732  
 Drawn By/Date: ZN / 04-28-94 (1.35)