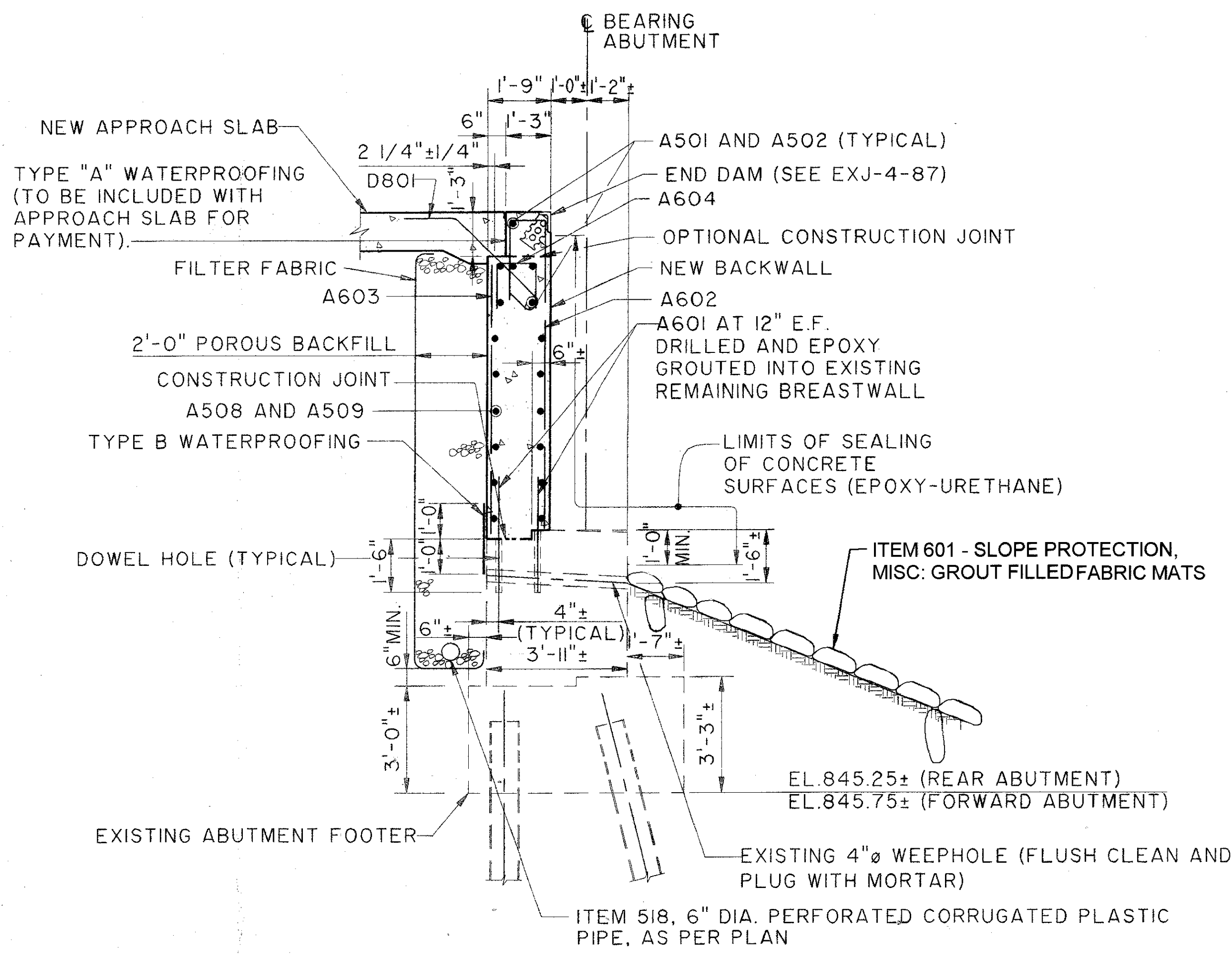
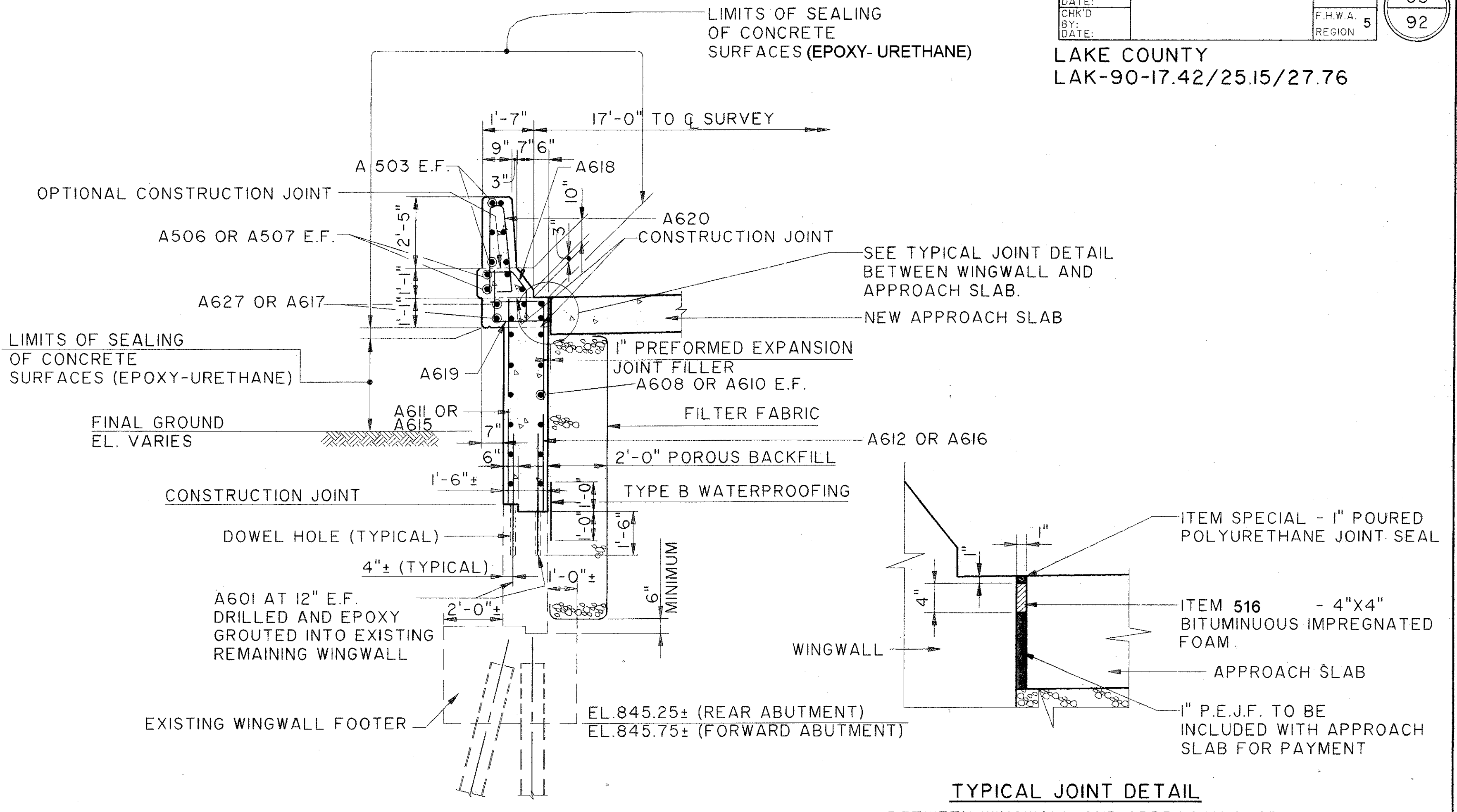


LAKE COUNTY
LAK-90-17.42/25.15/27.76

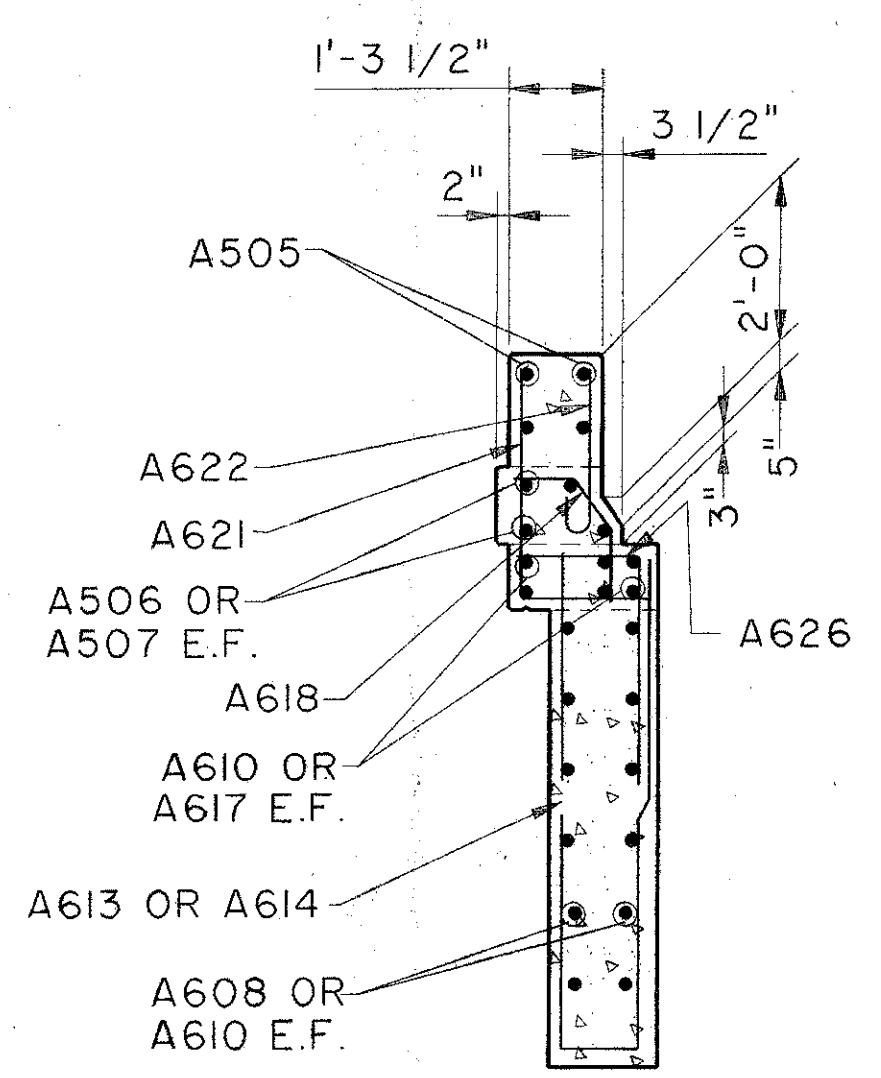


SECTION A-A
(TYPICAL BACKWALL REPLACEMENT SECTION)

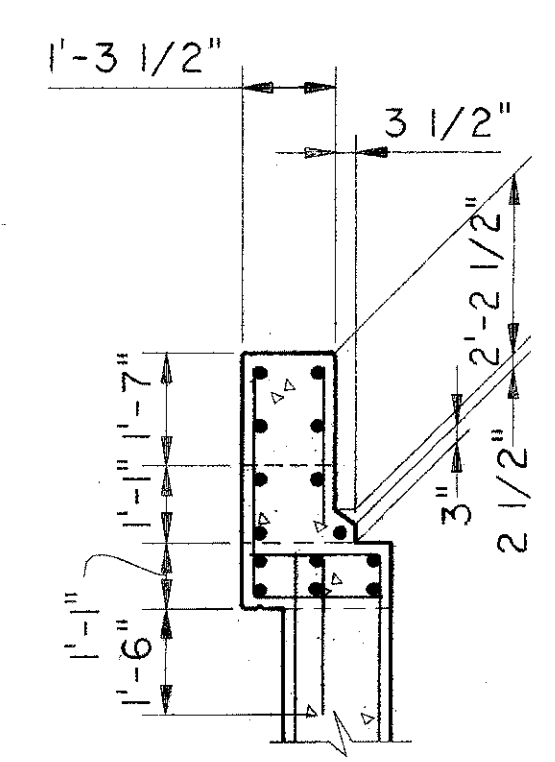


SECTION B-B
(TYPICAL WINGWALL REPLACEMENT SECTION)

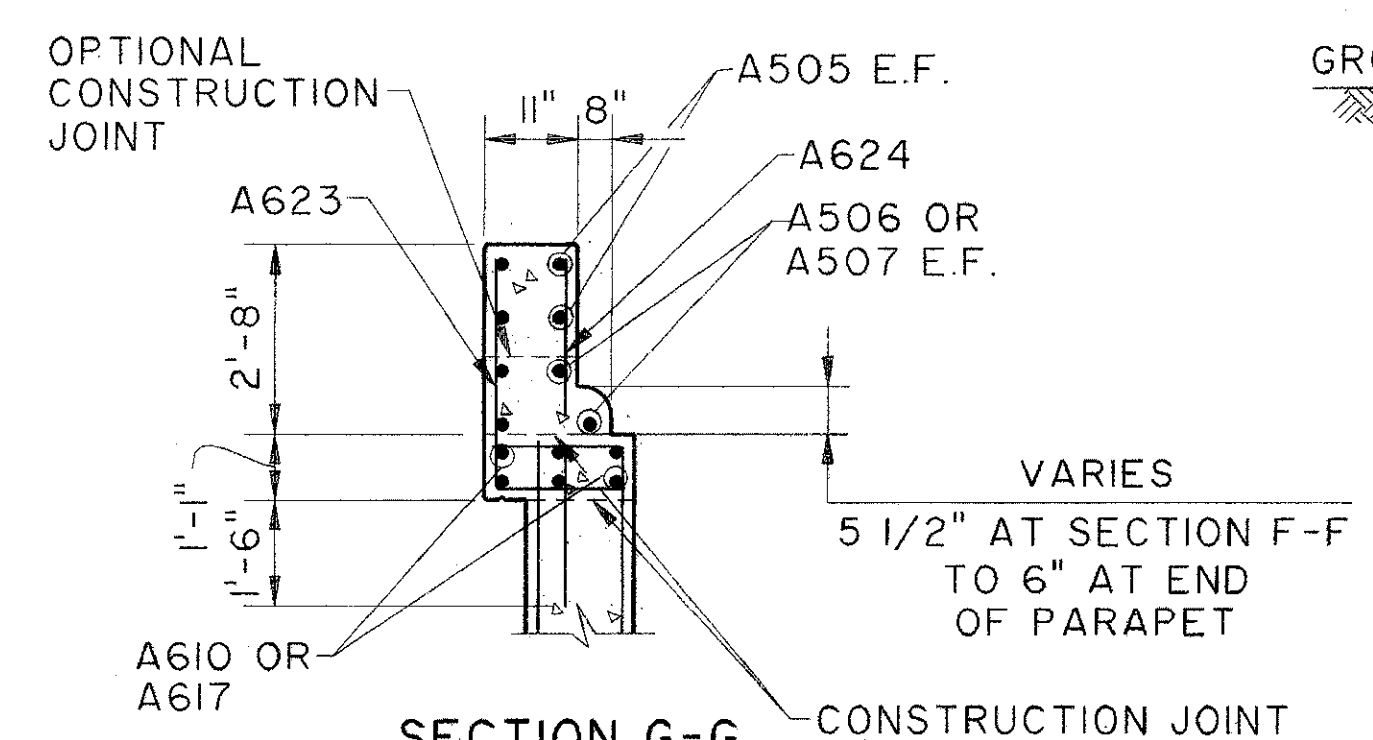
TYPICAL JOINT DETAIL BETWEEN WINGWALL AND APPROACH SLAB



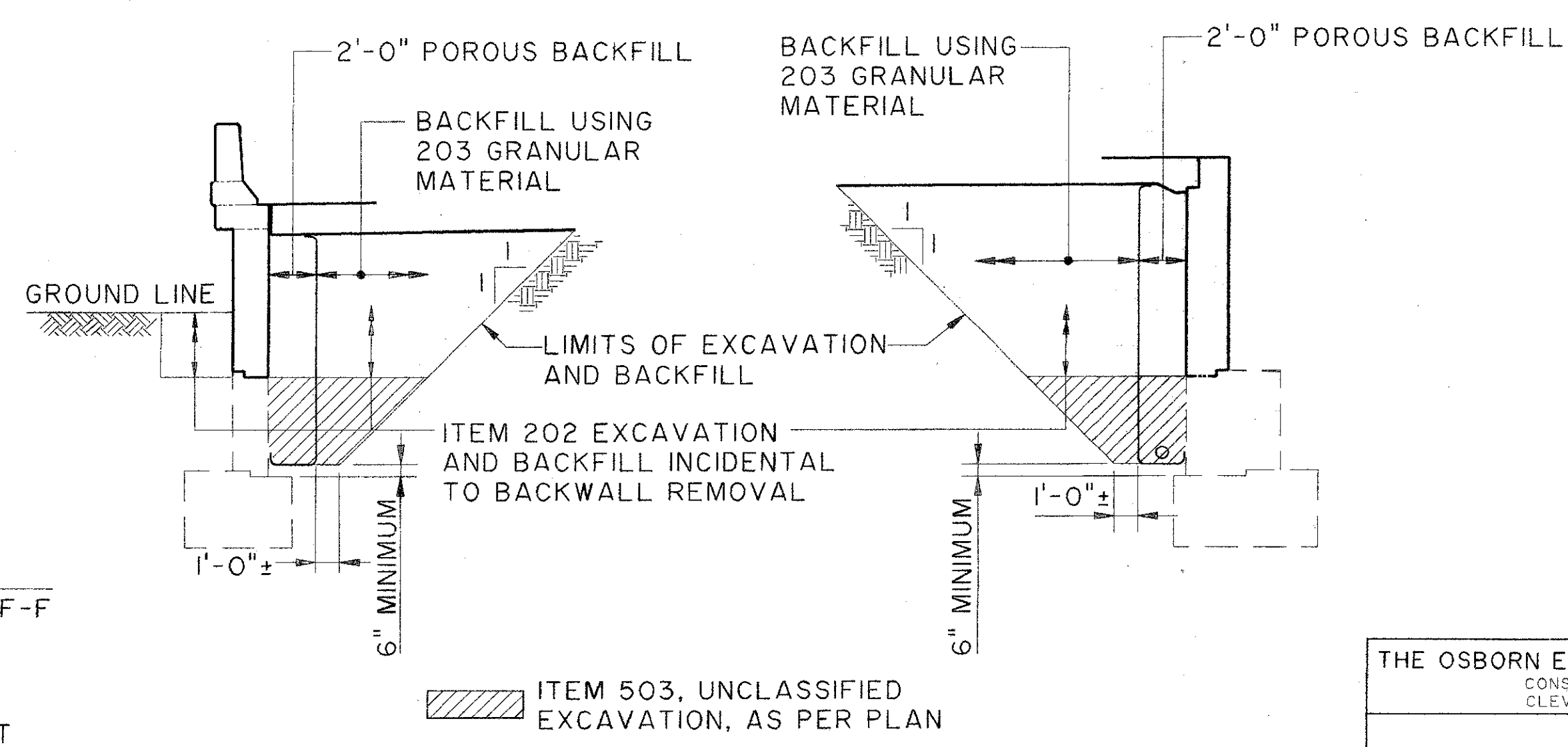
SECTION E-E



SECTION F-F



SECTION G-G



EXCAVATION AND BACKFILL LIMITS

THE OSBORN ENGINEERING COMPANY 13/52
CONSULTING ENGINEERS
CLEVELAND, OHIO 44114

ABUTMENT DETAILS
BRIDGE NO. LAK-90-1742
S.R. 86 OVER I-90

DESIGNED	DRAWN	TRACED	CHECKED	REVIEWED	DATE	OHIO
LYH	BFG		JRS	GA	2/94	

File Name: I:\NCL\10007\1065\STRUCT\10653740
 Plot Size: 32
 Drawn By/Date: BFC / 06-02-94 (1355)

S.R. 86