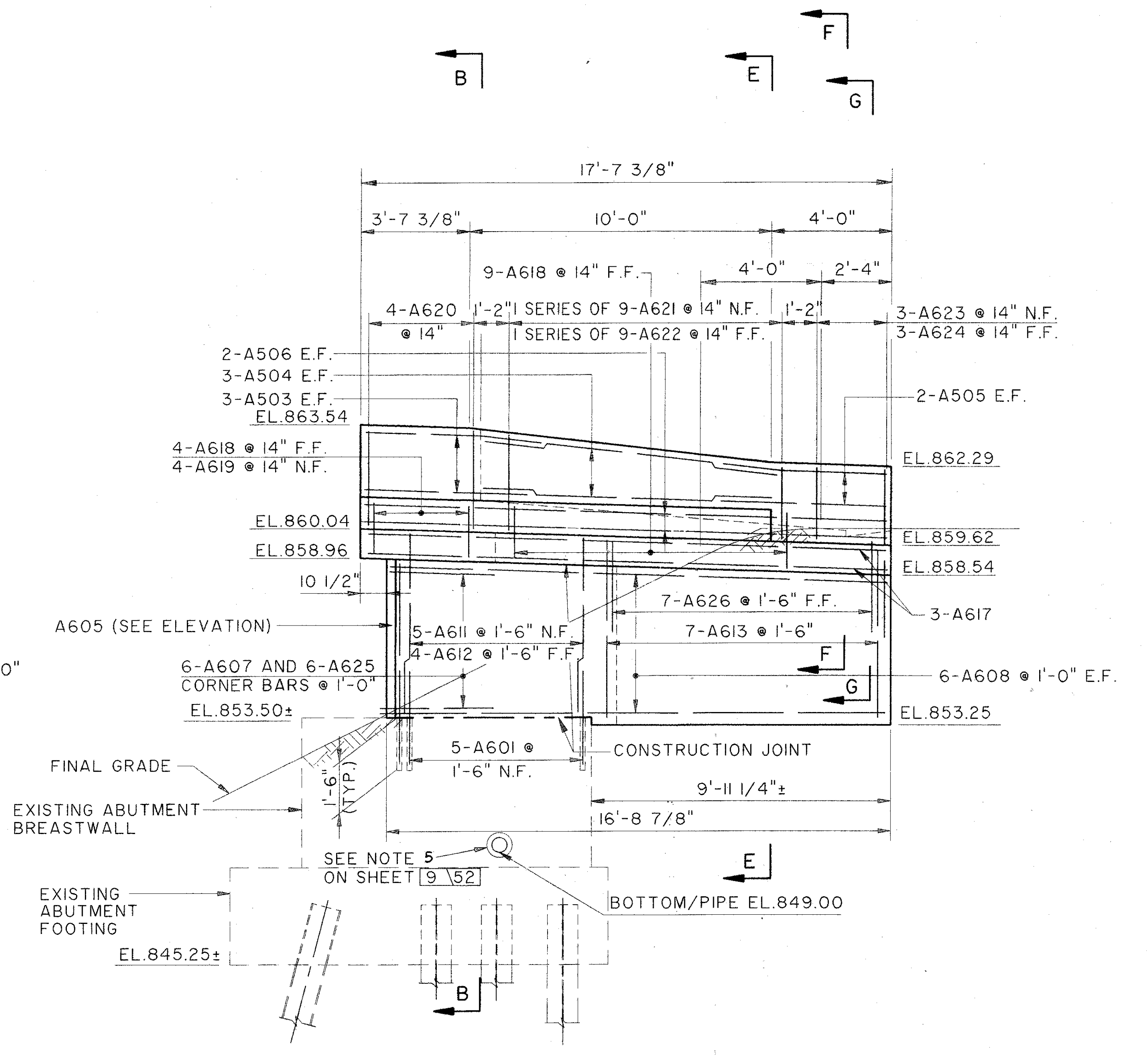
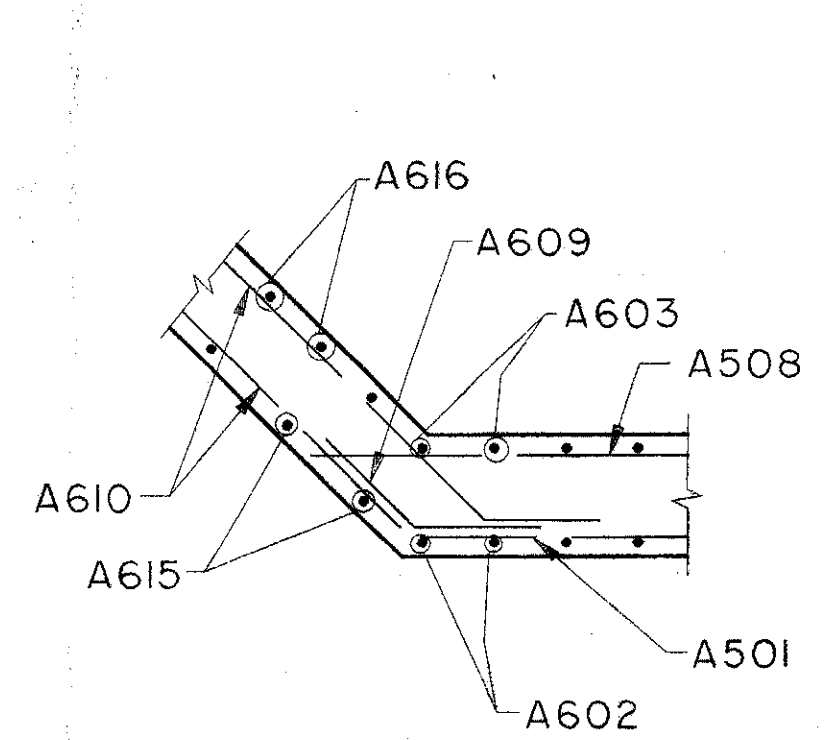


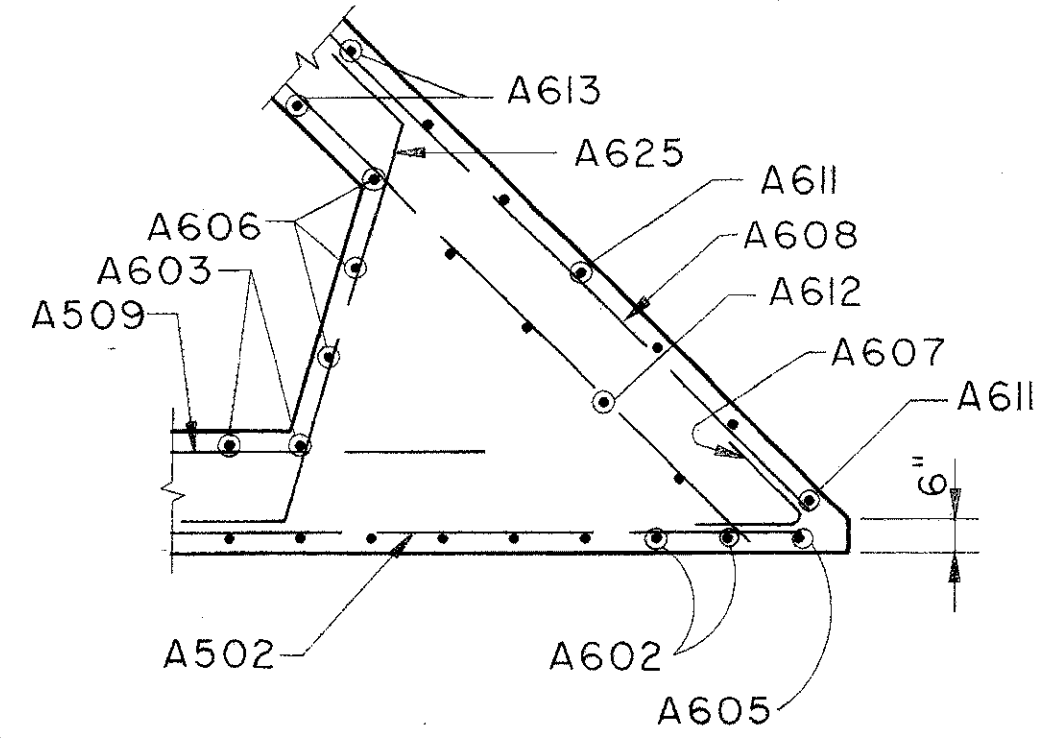
ELEVATION C-C



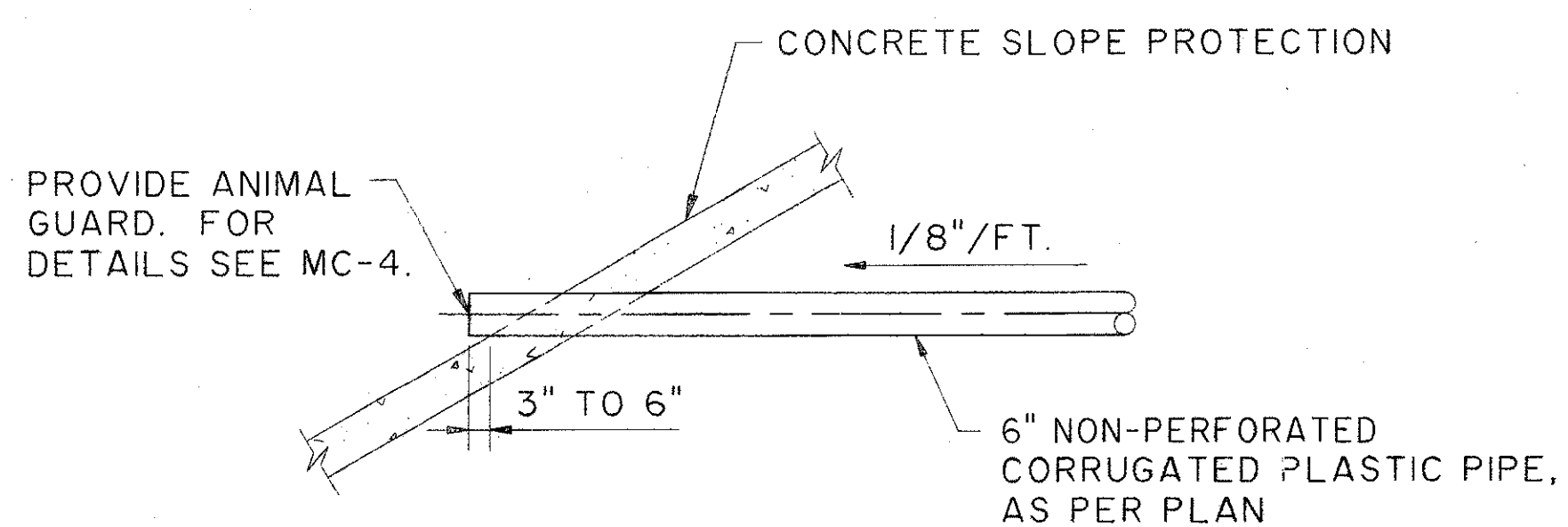
ELEVATION D-D



SECTION H-H



SECTION J-J



TERMINATION OF 6" DIAMETER PIPE AT THE FRONT SLOPE

NOTES:
1. FOR ABUTMENT PLAN, ELEVATION AND SECTIONS SEE SHEETS 9/52 AND 13/52.

THE OSBORN ENGINEERING COMPANY						10/52
CONSULTING ENGINEERS						
CLEVELAND, OHIO 44114						
REAR WINGWALL DETAILS						
BRIDGE NO. LAK-90-1742						
S.R. 86 OVER I-90						
LAKE COUNTY						OHIO
DESIGNED	DRAWN	THACED	CHECKED	REVIEWED	DATE	REVISED
LYH	BFG		JRS	GA	2/94	

File name: K:\001\0007\0185\STRUCT\01855774
 Date: 03/27/94
 User: jrs

S.R. 86