

SEEDING	
END WIDTH	SQ. YDS.


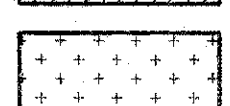
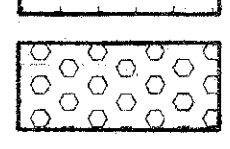
CALC. APG  
 BY: GA  
 DATE: 5/94  
 CHK'D GA  
 BY: GA  
 DATE: 5/94

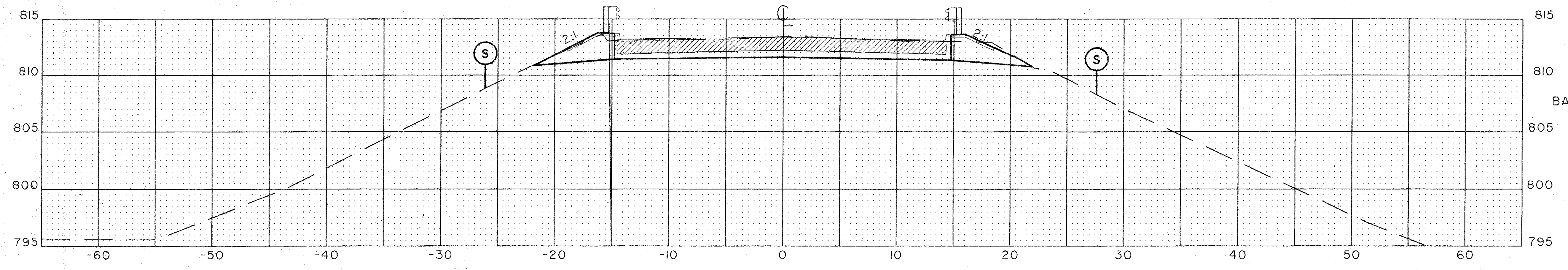
OHIO  
 F.H.W.A. REGION 5  
 37  
 92

LAKE COUNTY  
 LAK-90-17.42/25.15/27.76

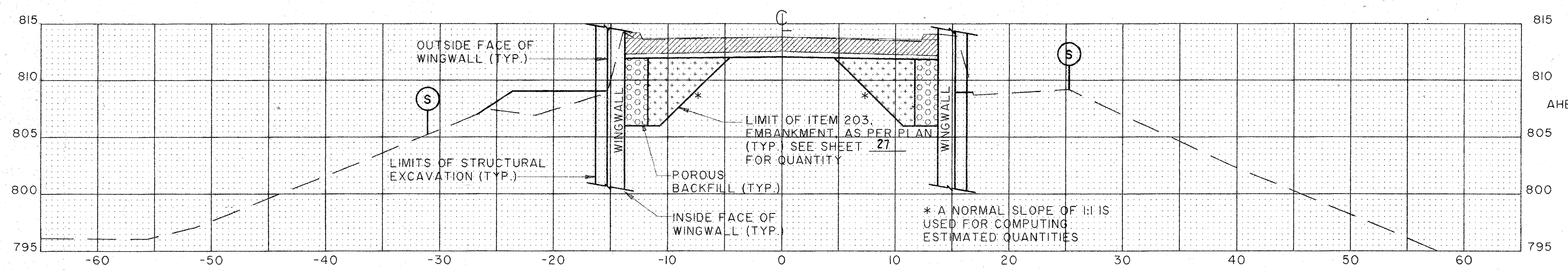
(S) - LIMITS OF SEEDING AND MULCHING

NOTES: 1) ALL SLOPES ARE NORMAL TO THE ROADWAY CENTERLINE  
 2) SEEDING AND MULCHING QUANTITIES ARE CALCULATED ON THE PLAN AND PROFILE SHEETS AND CARRIED TO THE GENERAL SUMMARY

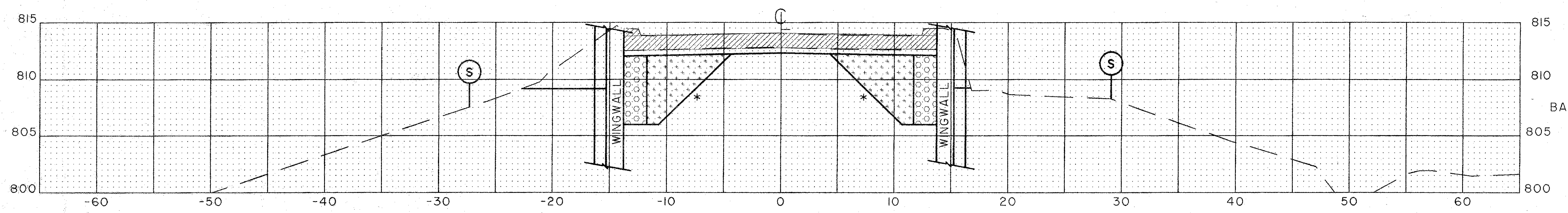
-  ITEM 202 - APPROACH SLAB REMOVED
-  ITEM 203 - EMBANKMENT USING GRANULAR MATERIALS, AS PER PLAN
-  ITEM 518 - POROUS BACKFILL



813.37  
 STATION 21+70.26 BACK (SKEW ANGLE: 11°12'20" RIGHT FORWARD)



813.84  
 STATION 21+45.26 AHEAD (SKEW ANGLE: 11°12'20" RIGHT FORWARD)



814.03  
 STATION 18+75.08 BACK (SKEW ANGLE: 11°12'20" RIGHT FORWARD)

END AREA	VOLUME	
	CUT	FILL
BACK	34	21
AHEAD	0	13
BACK	18	0
TOTAL	41	27

Drawn By: GA  
 Date: 05-18-94 (16)