

SEEDING
END WIDTH SQ. YDS.

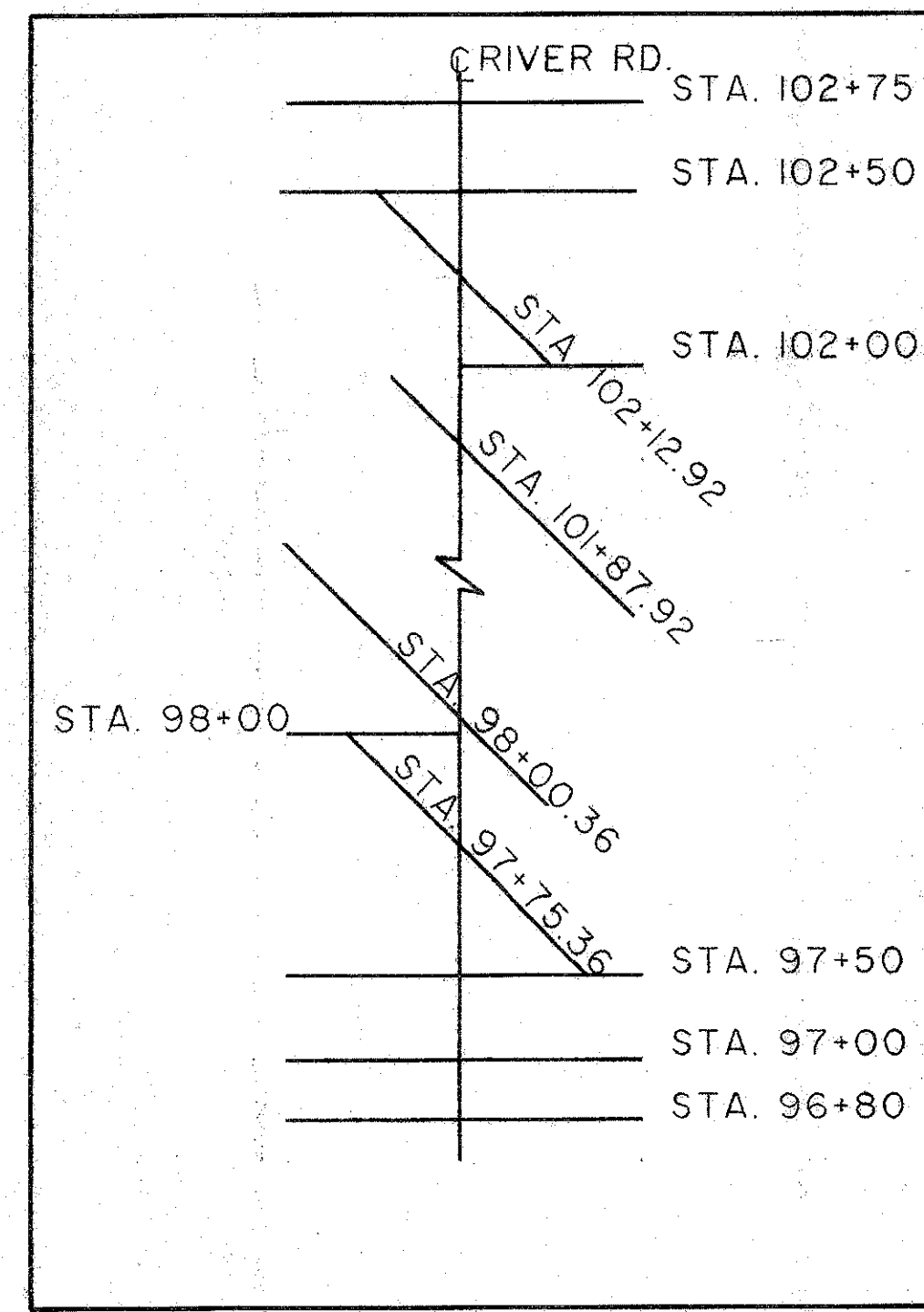
NOTES: 1) ALL SLOPES ARE NORMAL TO THE ROADWAY CENTERLINE
2) SEEDING AND MULCHING QUANTITIES ARE CALCULATED ON THE PLAN AND PROFILE SHEETS AND CARRIED TO THE GENERAL SUMMARY

(S) - LIMITS OF SEEDING AND MULCHING

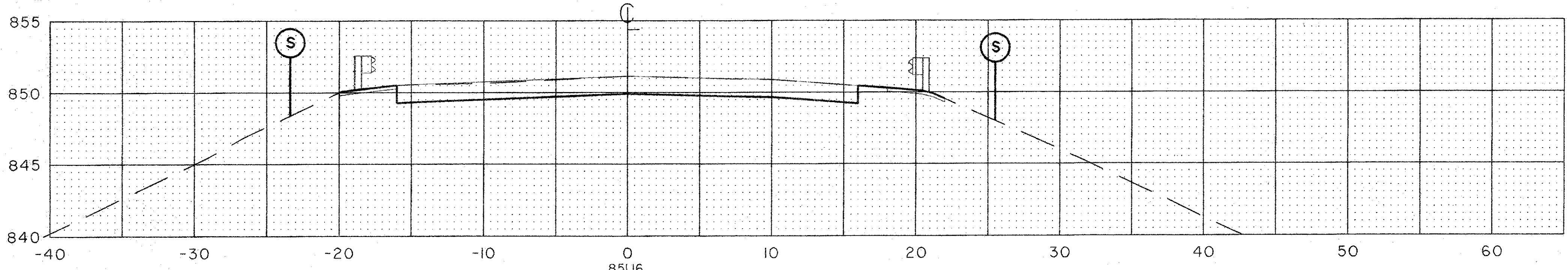
[Hatched Box] ITEM 202 - APPROACH SLAB REMOVED

END WORK STA. 104+50.00
END PROJECT STA. 102+75.00

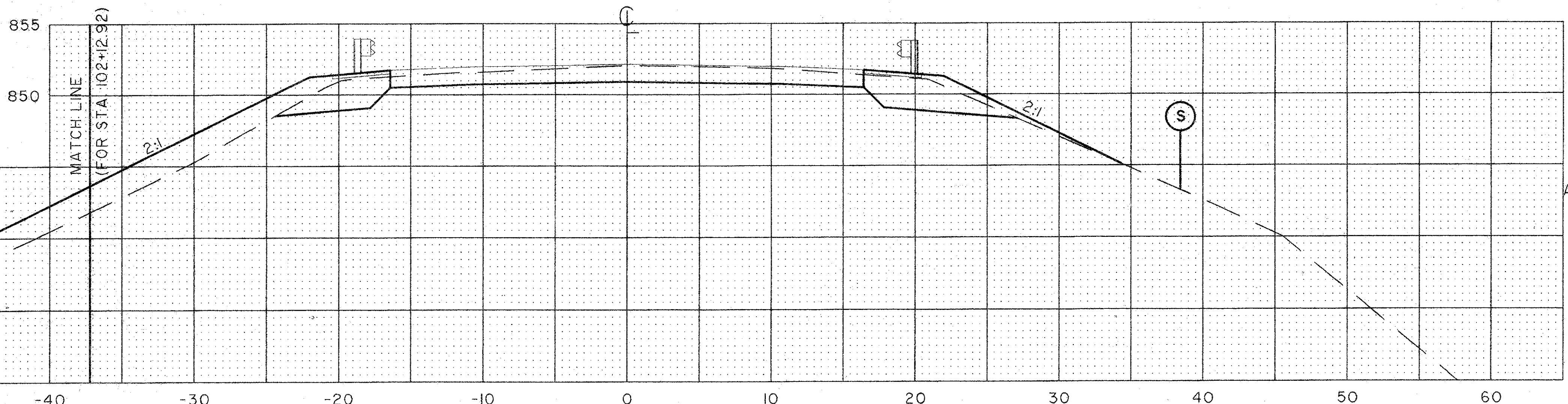
CALC. APG BY: DATE: 5/94
CHK'D GA BY: DATE: 5/94
OHIO 35
F.H.W.A. 5 92
LAKE COUNTY
LAK-90-17.42/25.15/27.76



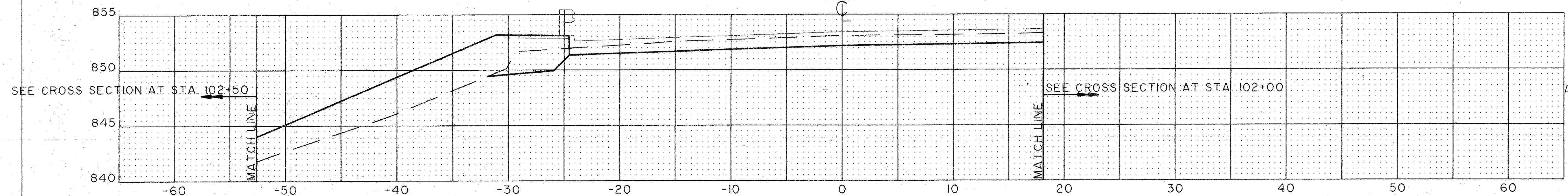
CROSS SECTION LAYOUT



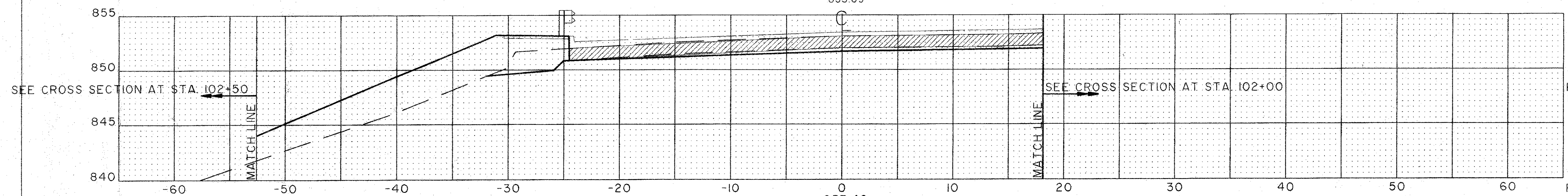
STA. 102+75 BACK ONLY



STA. 102+50



STA. 102+12.92 AHEAD (SKEW ANGLE 45°00'00" LEFT FORWARD)



STA. 102+12.92 BACK (SKEW ANGLE 45°00'00" LEFT FORWARD)

END AREA	VOLUME	
	CUT	FILL
BACK	40	0
AHEAD	60	95
BACK	60	65
AHEAD	55	104
LEFT BACK	10	91
RIGHT BACK	4	0
RIGHT LEFT	1	0
TOTAL	144	202

CROSS SECTIONS

Elevation: K:\A\1\0007\0185\STRUCT\01855223
 Plot Scale: 1"=40'
 Drawn By/Date: Rcr 7-05-18-94 (18)

RIVER RD.