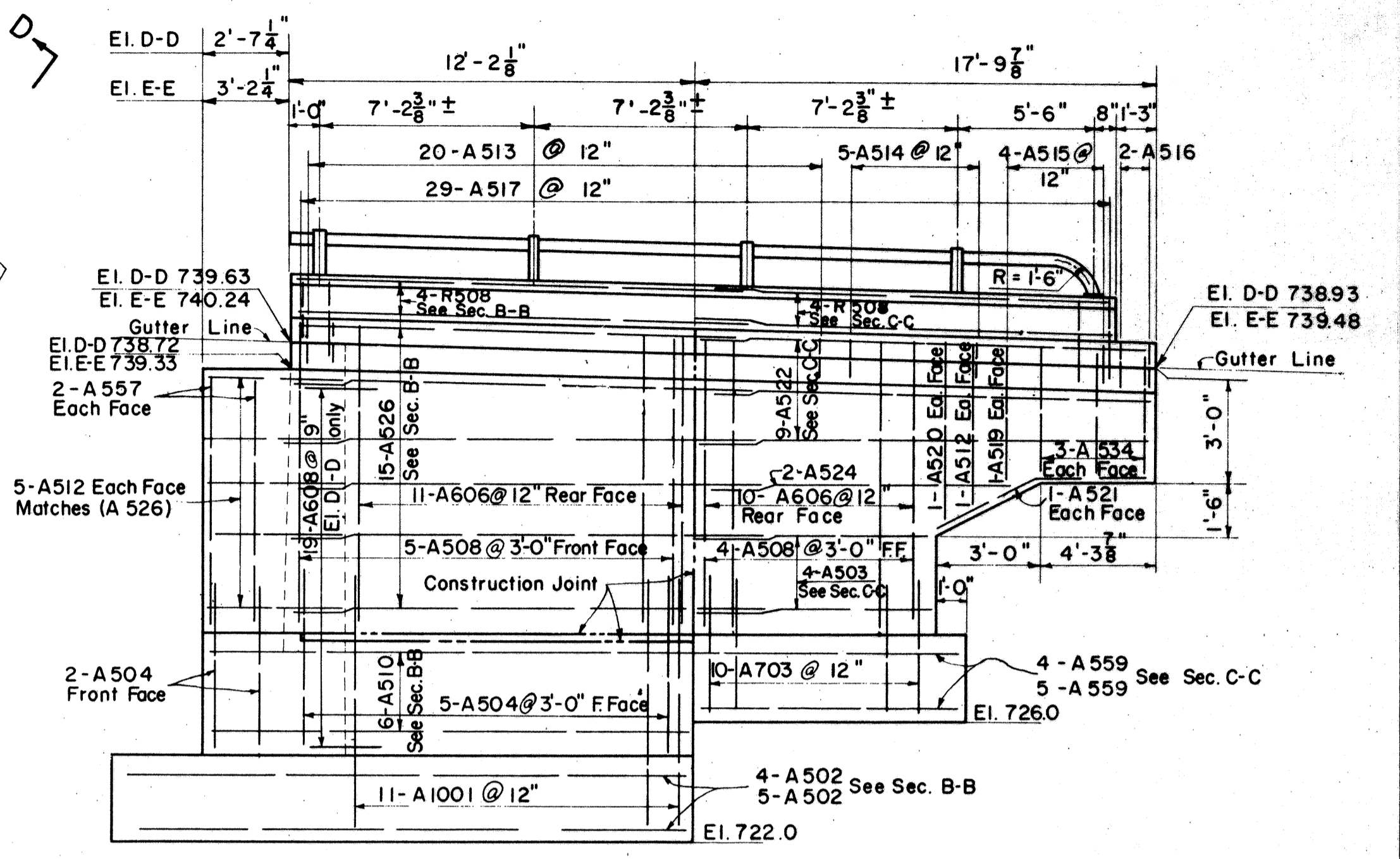
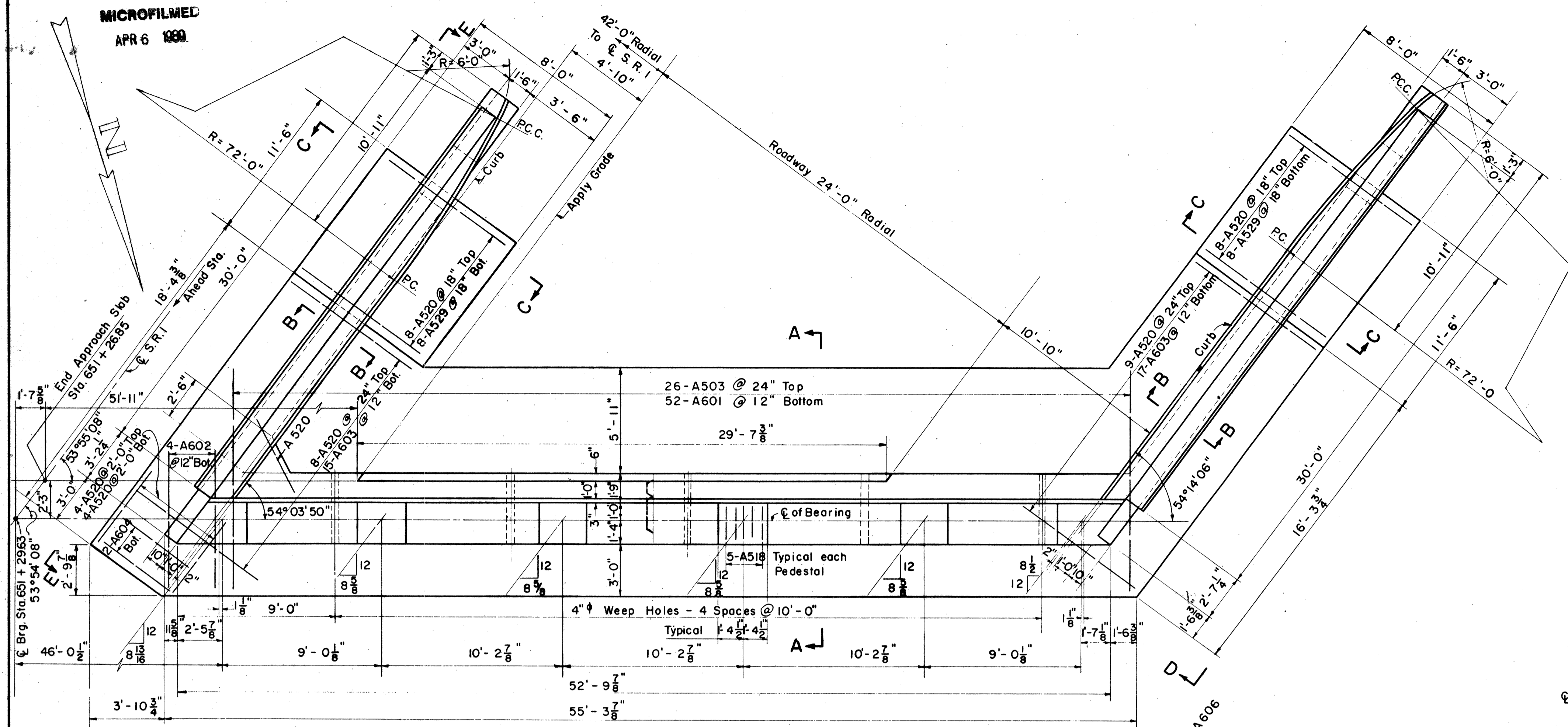
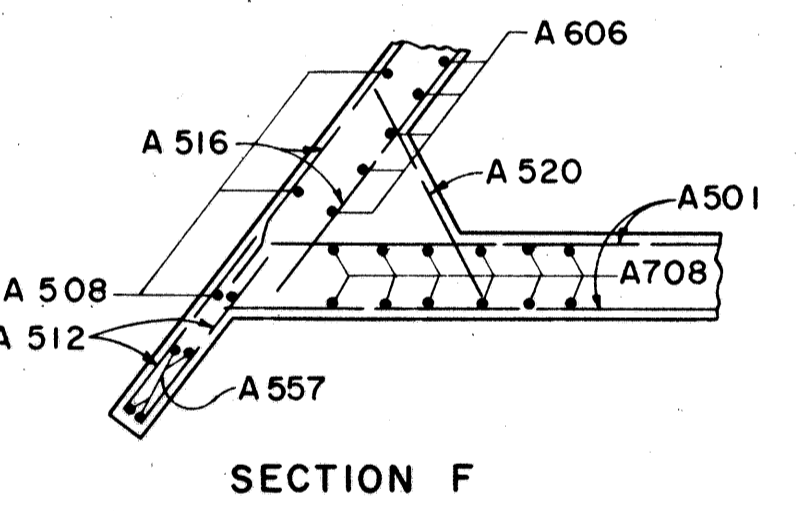


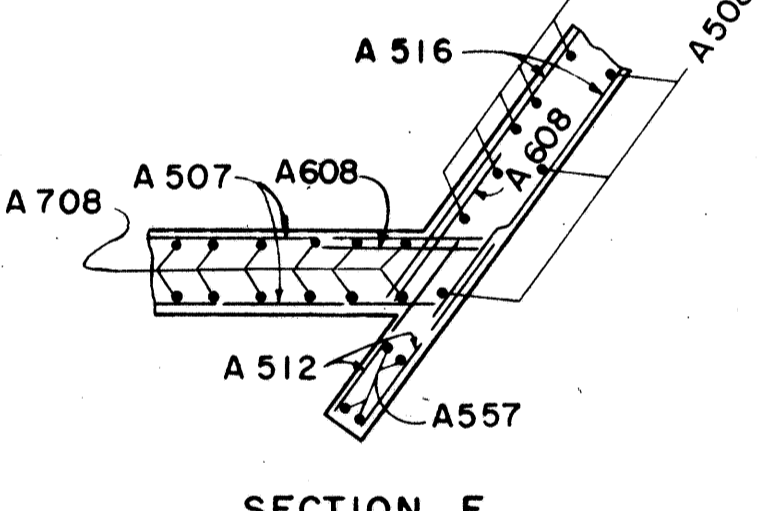
LAKE COUNTY
SEC LAK-1-16.55



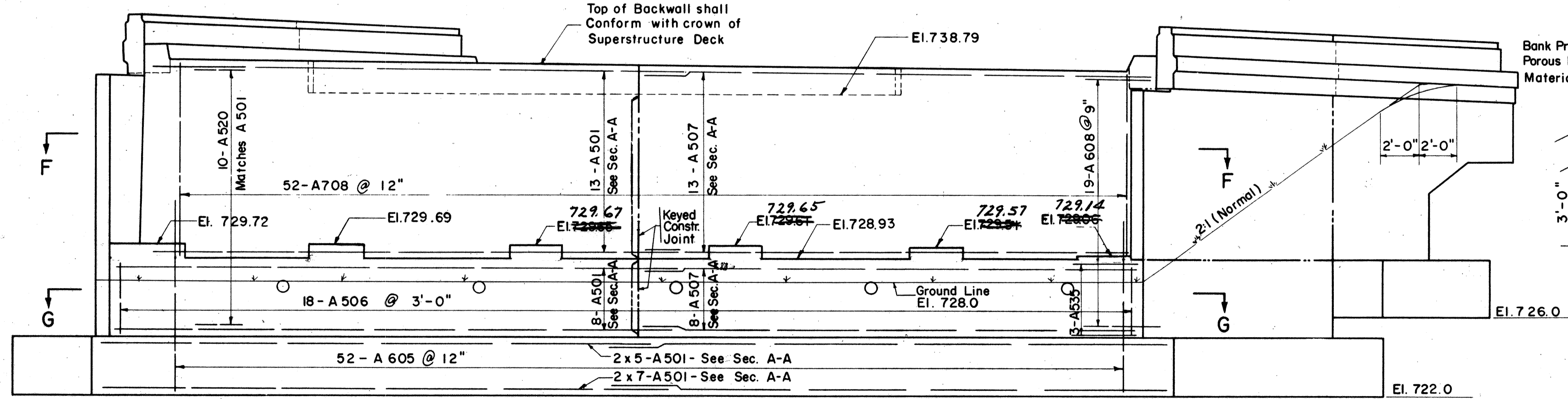
ELEVATION D-D
ELEVATION E-E (OPPOSITE HAND)



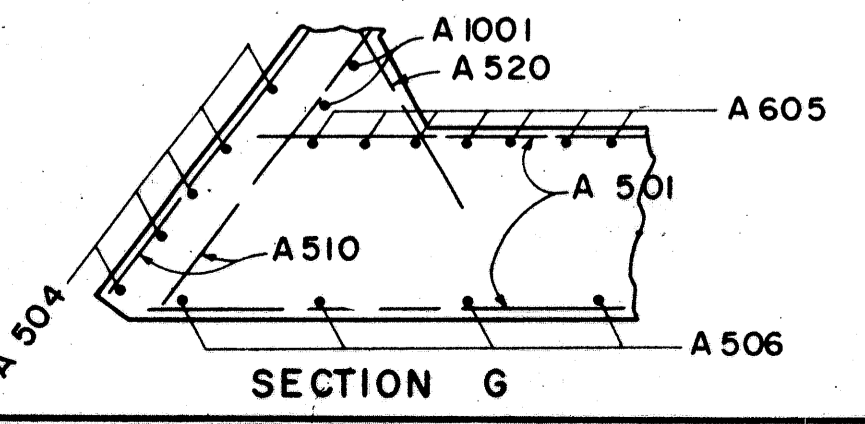
SECTION F



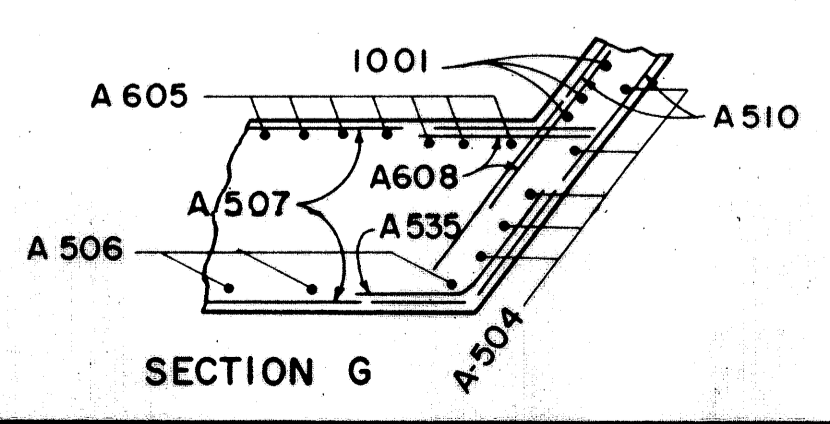
SECTION F



ELEVATION



SECTION G



SECTION G

