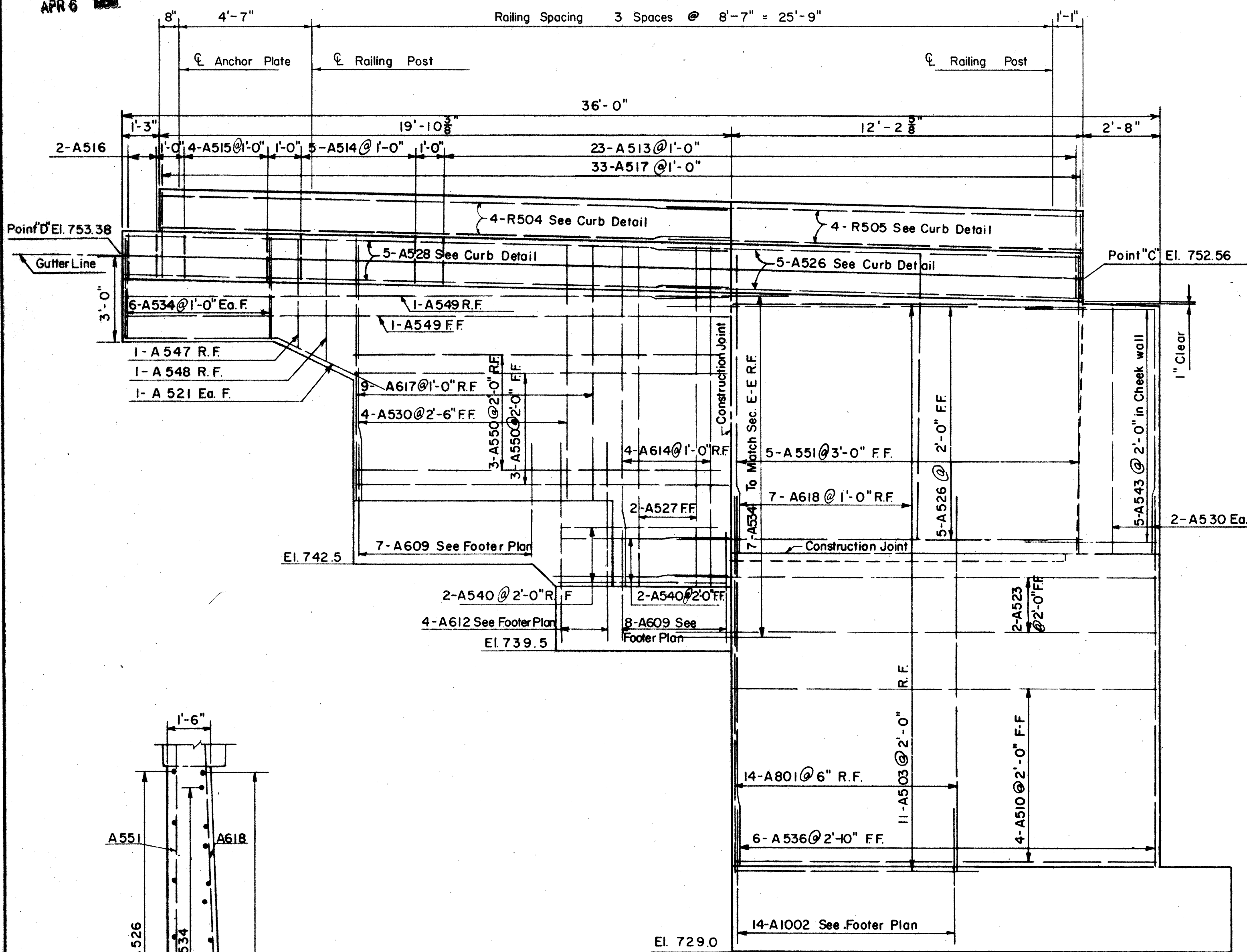


MICROFILMED  
APR 6 1999

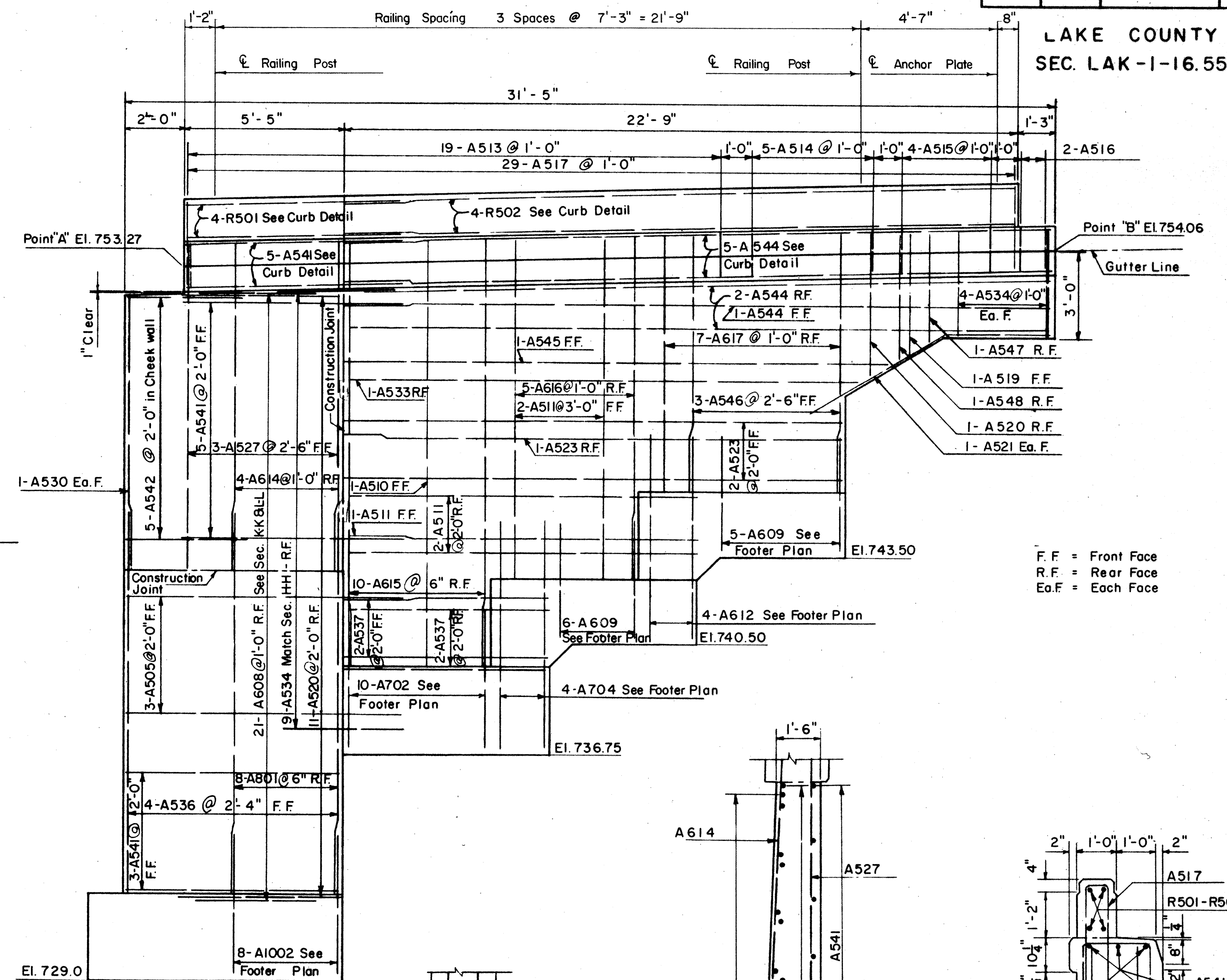
FED. RD. DIVISION	STATE	PROJECT	
2	OHIO	ACI-1103 (27)	

391  
413

LAKE COUNTY  
SEC. LAK-1-16.55

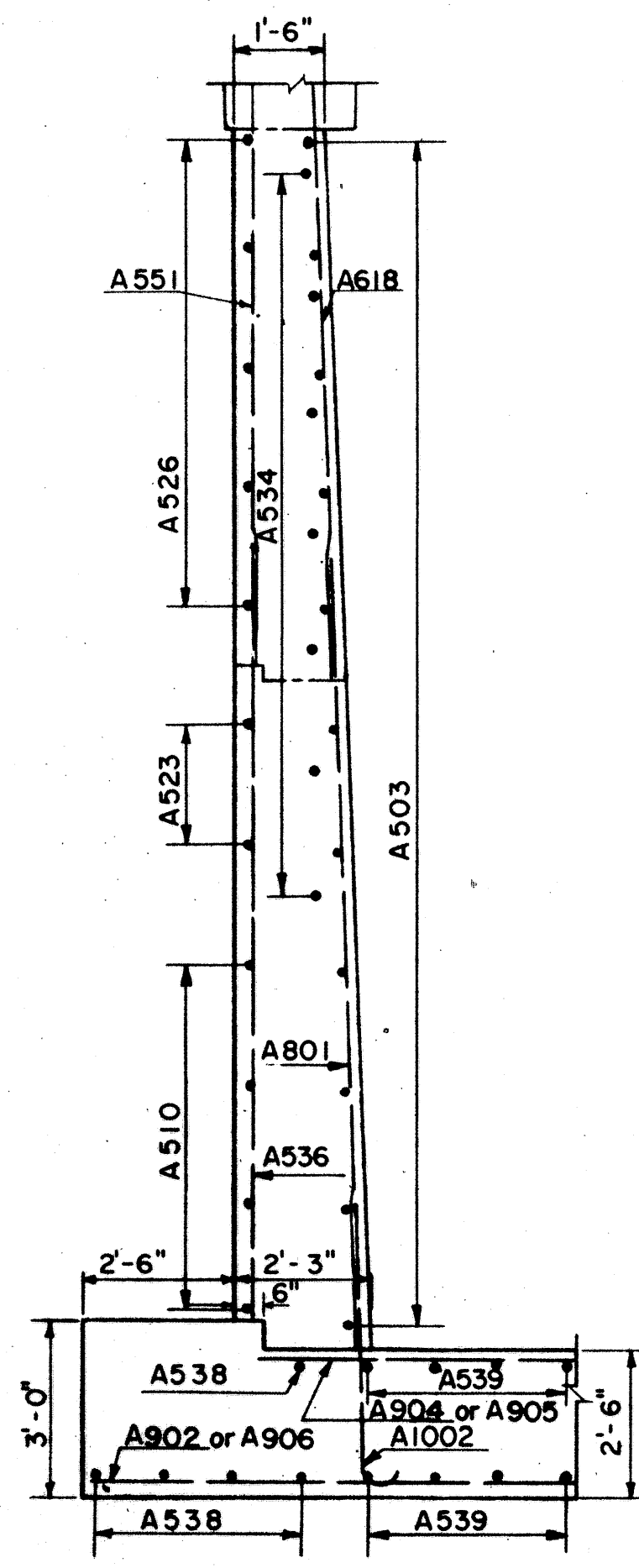


ELEVATION B-B

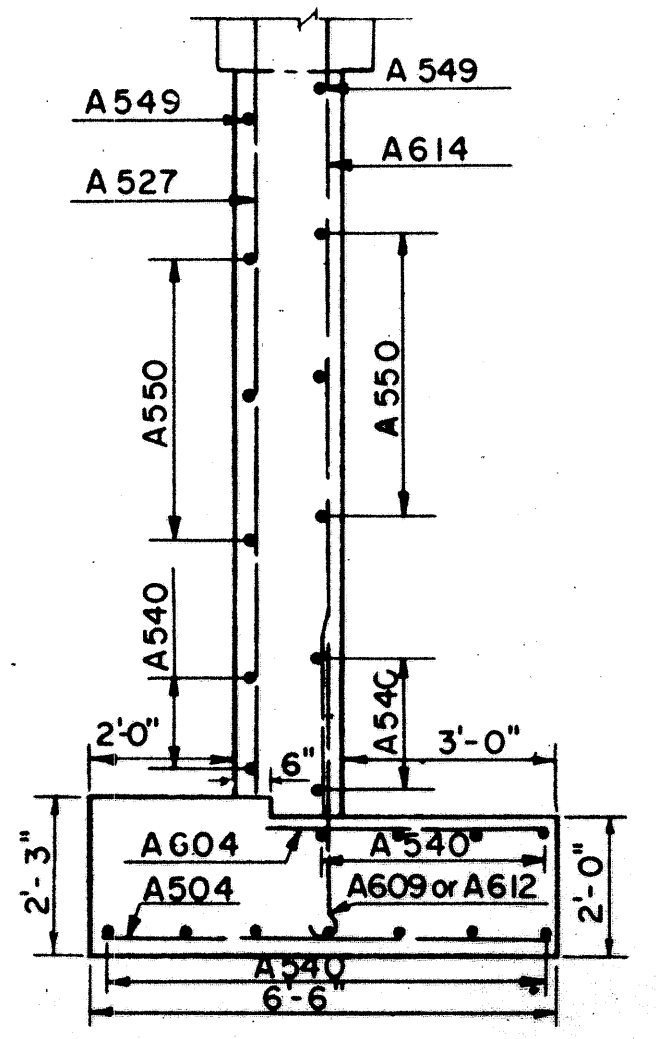


ELEVATION A-A

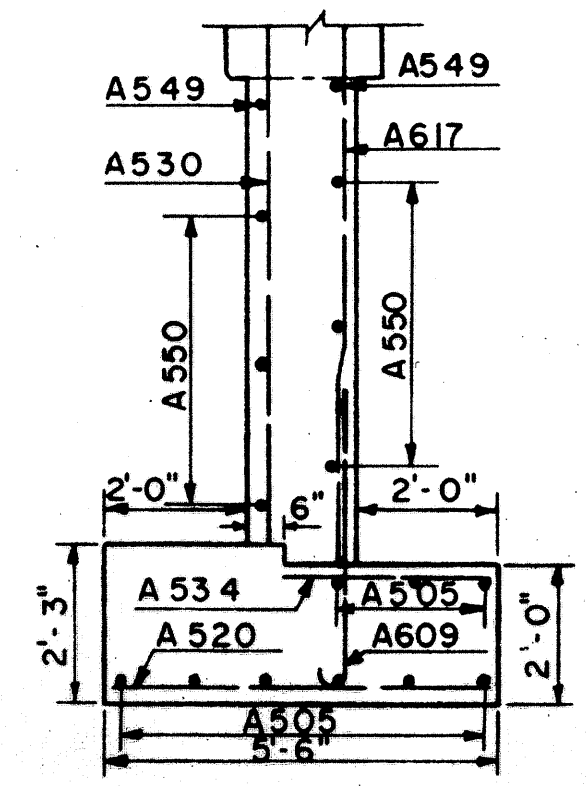
F.F. = Front Face  
R.F. = Rear Face  
Ea.F. = Each Face



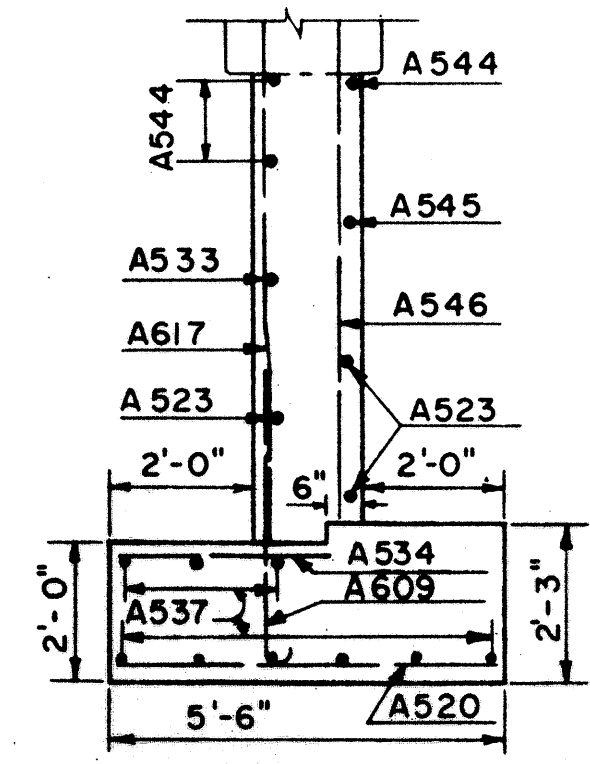
SECTION D-D



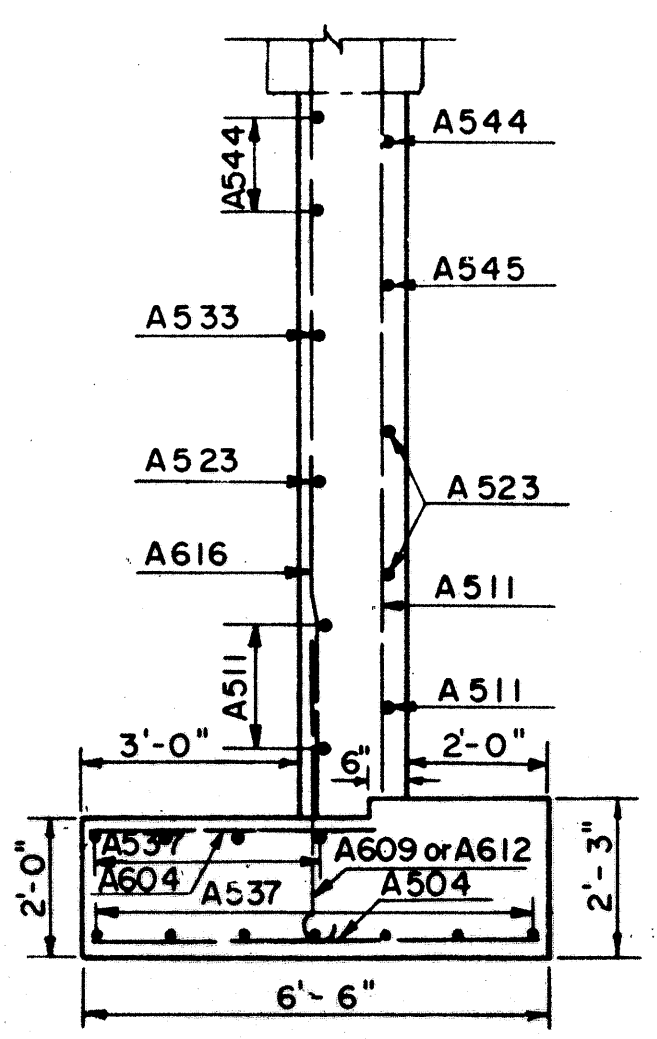
SECTION E-E



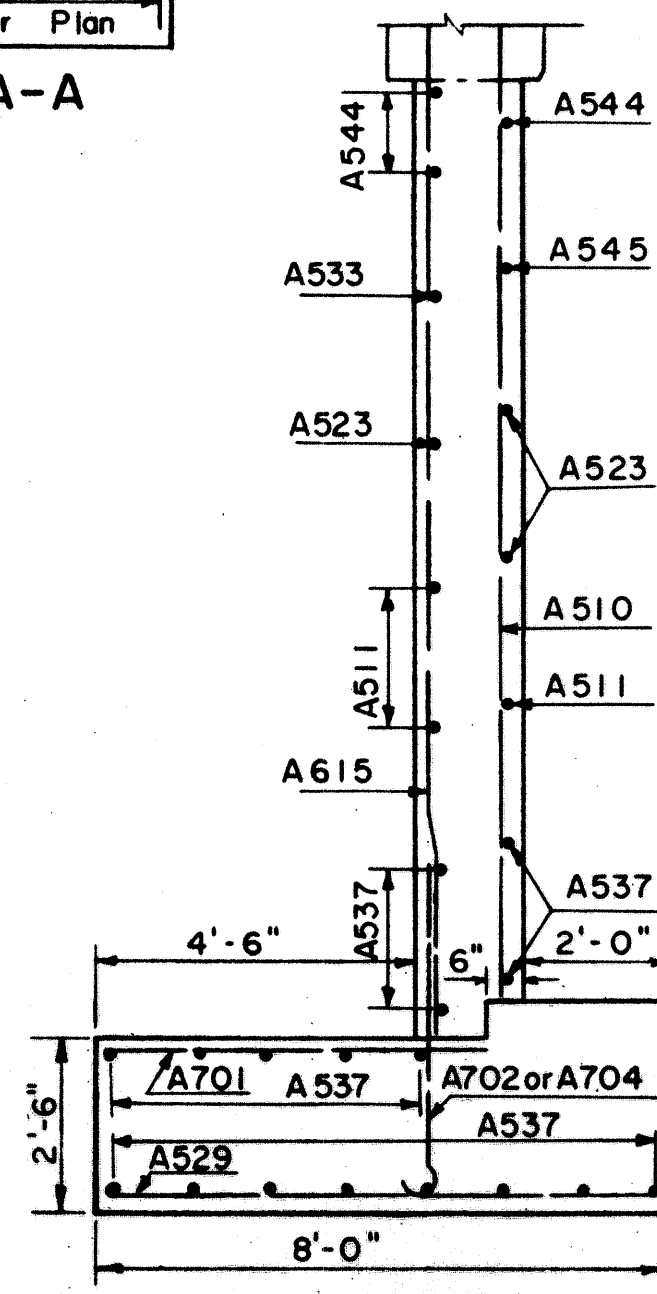
SECTION F-F



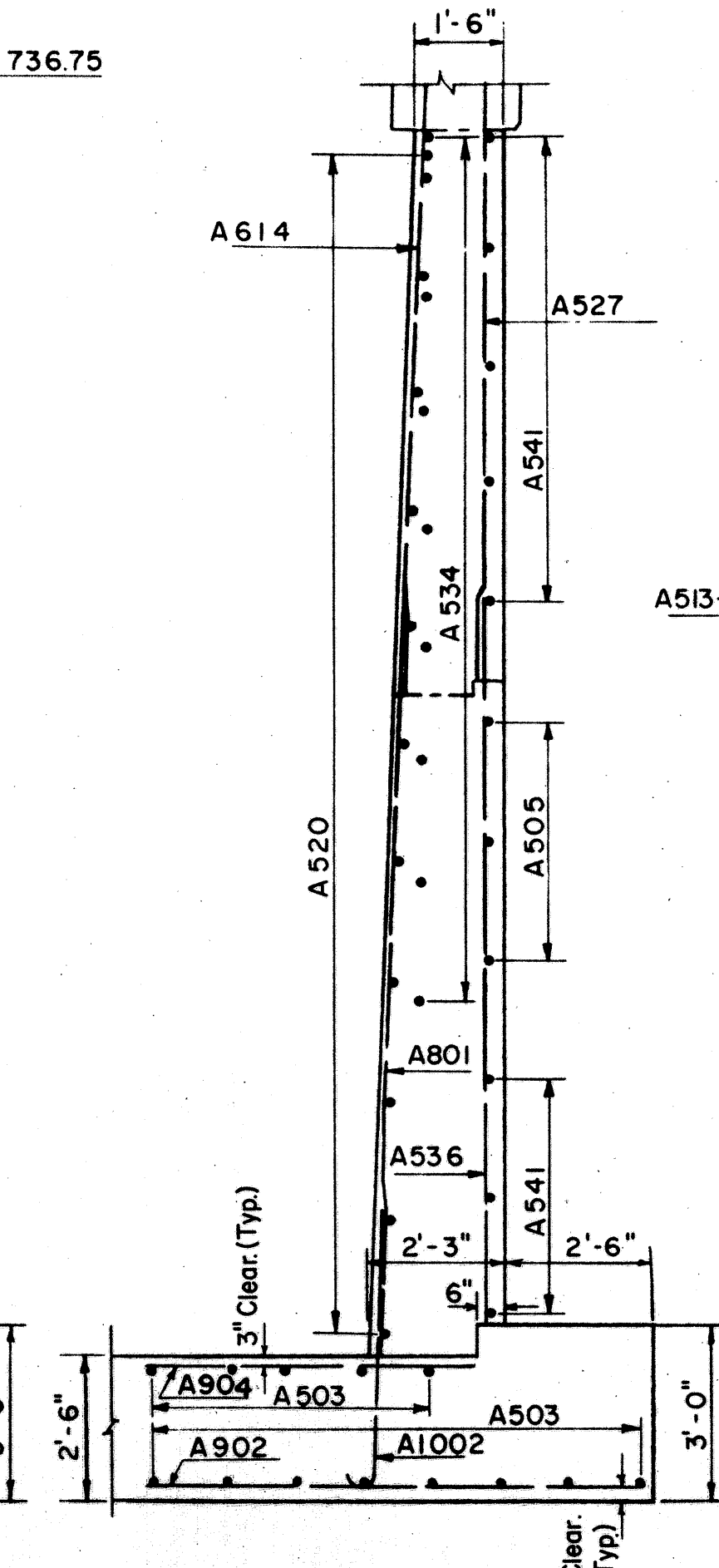
SECTION J-J



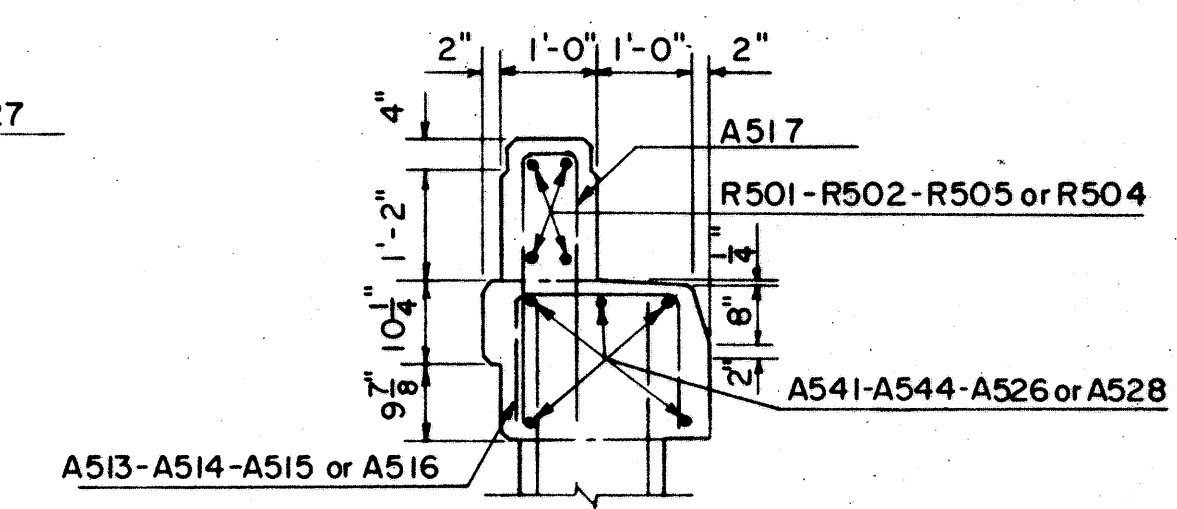
SECTION I-I



SECTION H-H



SECTION G-G



CURB DETAIL  
(TYPICAL)

SEC. C-33 FED. AID PROJ. NO. ACI-1103 (27)  
PREPARED BY  
CAPITOL ENGINEERING ASSOCIATES, DILLSBURG, PA.  
FOR  
STATE OF OHIO  
DEPARTMENT OF HIGHWAYS  
**EAST ABUTMENT**  
BRIDGE NO. LAK-1-1905  
S.R. 1 OVER PAINE CREEK (NORTH BRIDGE)  
LAKE COUNTY  
STA. 654 + 75

DESIGNED	DRAWN	TRACED	CHECKED	REVISED DATE	REVISED
DS	DS	LL	JMR		6-3-58