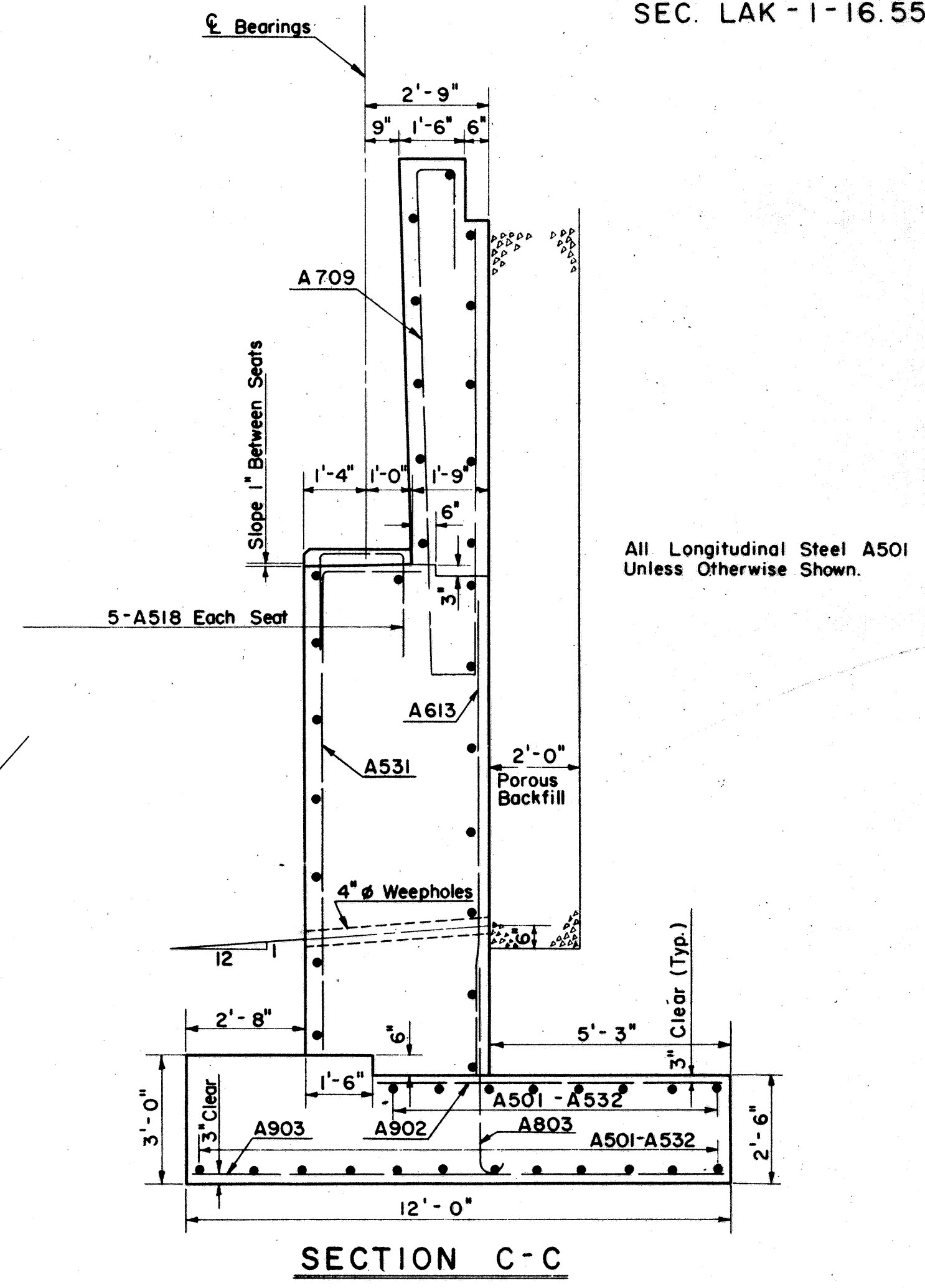
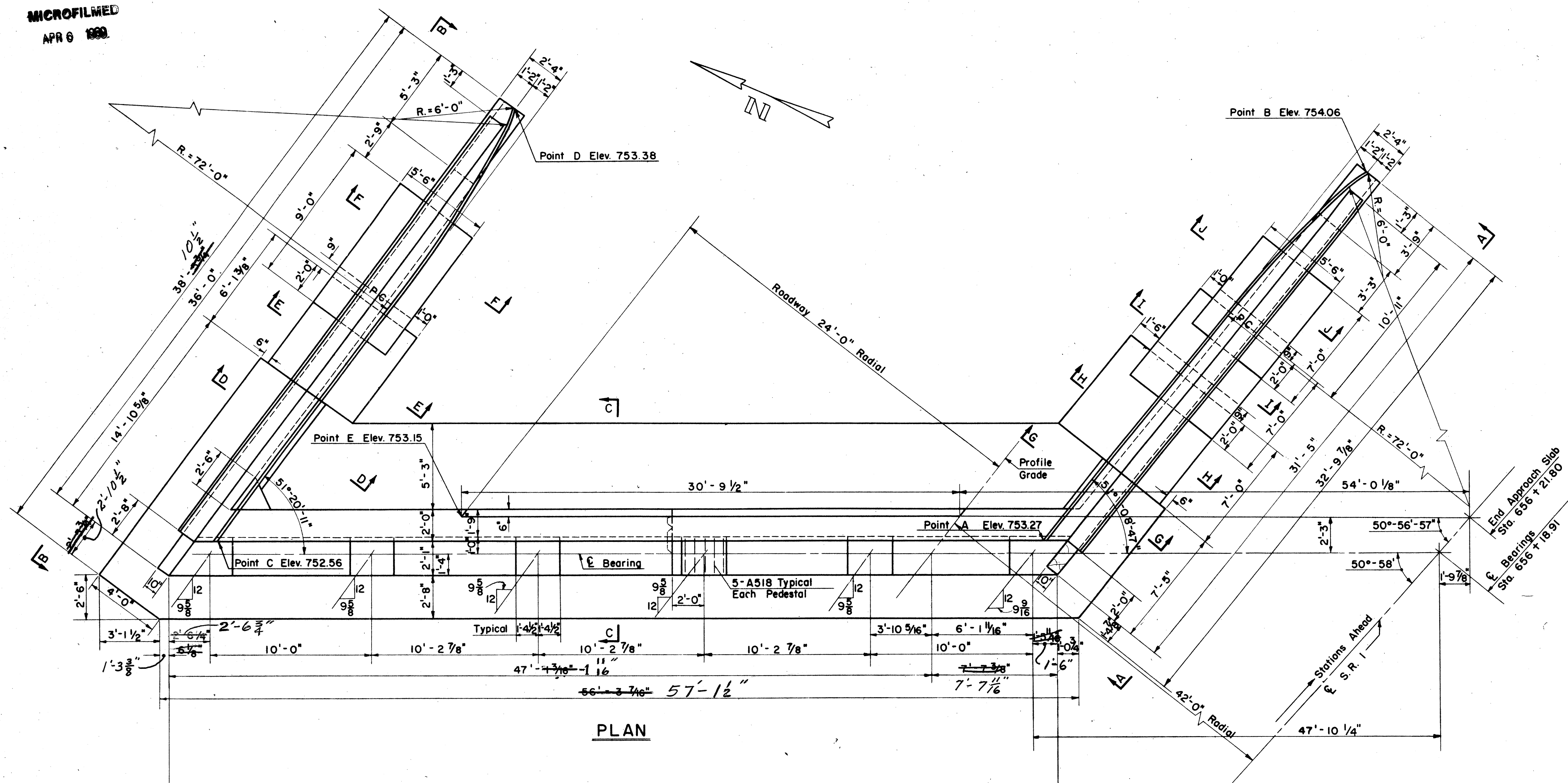


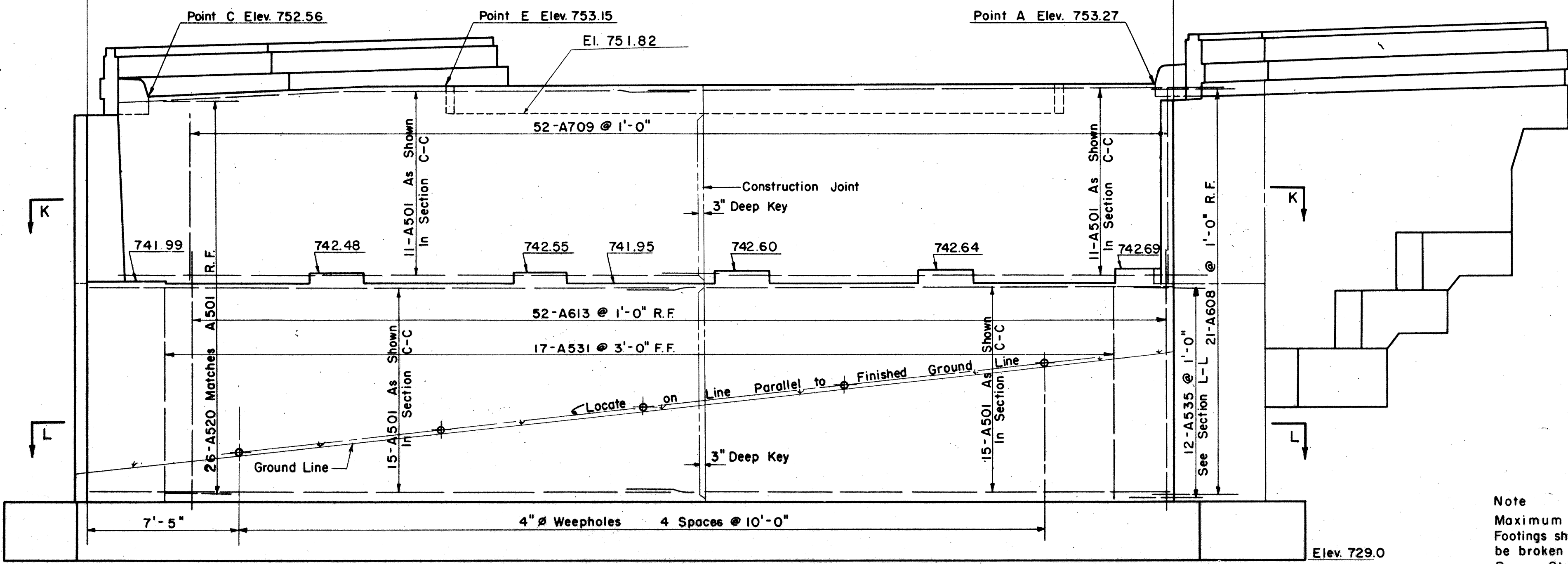
MICROFILMED
APR 6 1988

FED. RD. DIVISION	STATE	PROJECT	389 413
2	OHIO	ACI-1103 (27)	

LAKE COUNTY
SEC. LAK-1-16.55



All Longitudinal Steel A501 Unless Otherwise Shown.



ELEVATION

Note
Maximum Bearing pressure: 9.2 Kips per Ft²
Footings shall extend a minimum of 3" into shale (may be broken) or to the elevation shown, whichever is lower.
Porous Structural Backfill - See Note Sheet 388.

Revised 12-31-58.

SEC. C-33 FED. AID PROJ. NO. ACI-1103(27)

PREPARED BY
CAPITOL ENGINEERING ASSOCIATES, DILLSBURG, PA.
FOR

STATE OF OHIO
DEPARTMENT OF HIGHWAYS

EAST ABUTMENT
BRIDGE NO. LAK-1-1905
S.R.1 OVER PAINE CREEK (NORTH BRIDGE)
LAKE COUNTY
STA. 654+75

DESIGNED	DRAWN	TRACED	CHECKED	REVISED DATE	REVISED
DS	DS	LL	JMR	6-3-58	9-19-58