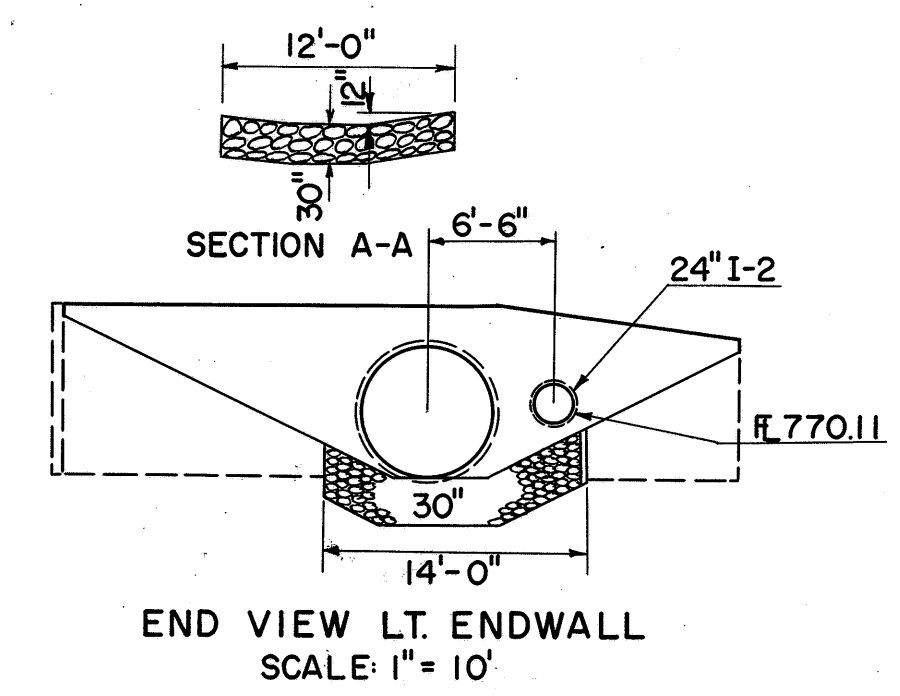


FOR CONCRETE END SILL
DETAILS SEE SHEET NO 376



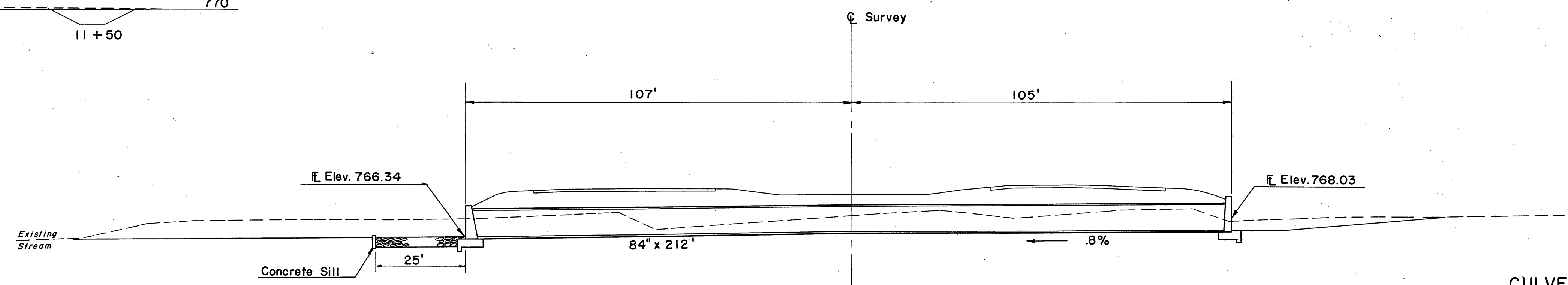
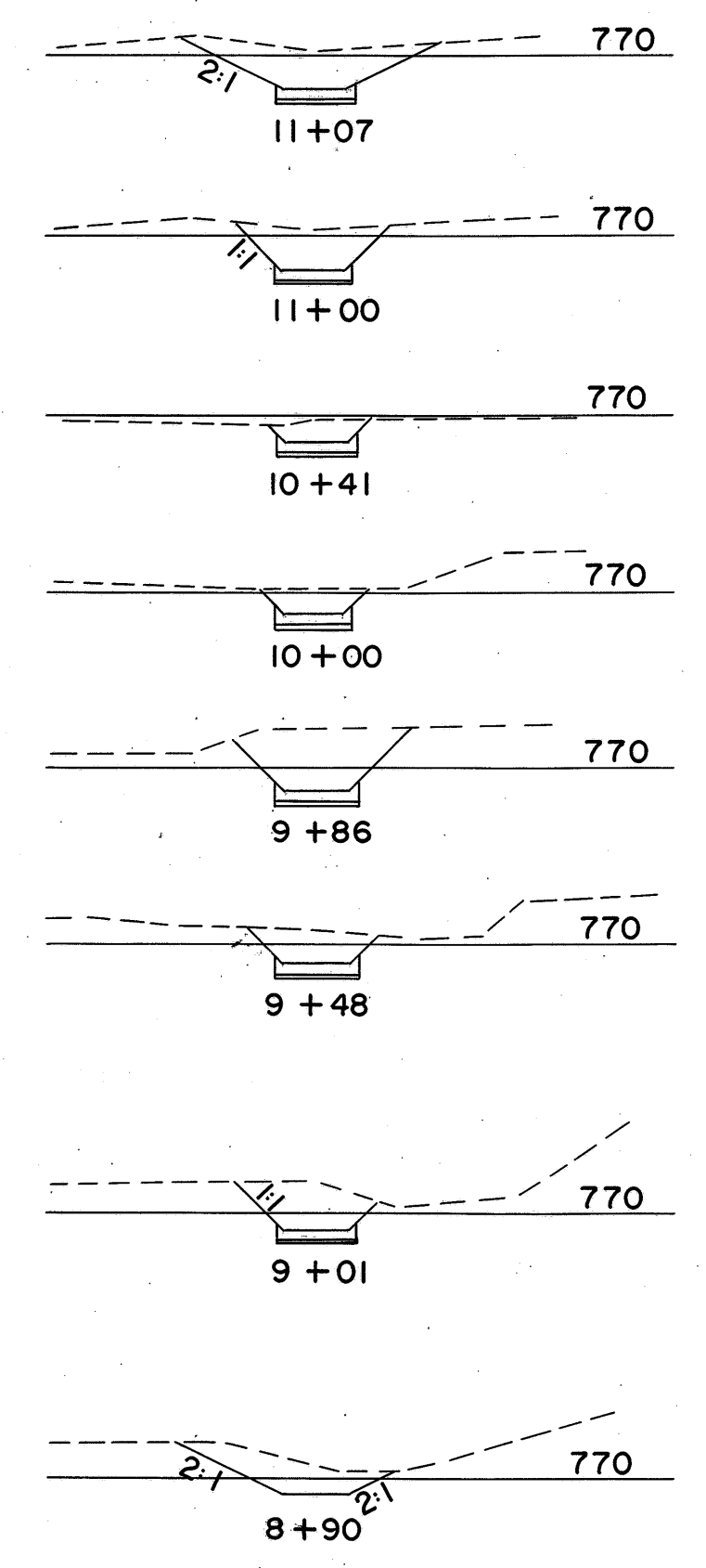
AREA = 560 ACRES
Q₅₀ = 420 C.F.S.

SCALE: 1" = 20'-0"

HEADWATER = 8.60 FT.
OUTLET VELOCITY = 16.8 FPS.

ESTIMATED QUANTITIES

E-2	Excavation for Structures	141	C.Y.
E-3	Channel Excavation	641	C.Y.
L-10	Sodding	142	S.Y.
S-1	Concrete for Structures Class "C"	89.8	C.Y. (End sill Conc. 1.3 C.Y. Included)
I-10	Dumped Rock	30	C.Y.
S-27	84" Pipe for Roadway Culverts (M-6.6 (b))	212	L.F.
S-4	Reinforcing Steel	3630	Lbs.



CULVERT DATA

TYPE: Pipe Culvert, Type B Headwalls
 SIZE: 84" x 212"
 WORK REQ'D: Build a Pipe Culvert with Type B Headwalls
 Excavate Channels Left & Right as required.
 Place Dumped Rock Left with Concrete Sill.

STRUCTURE NO. LAK-I-1856