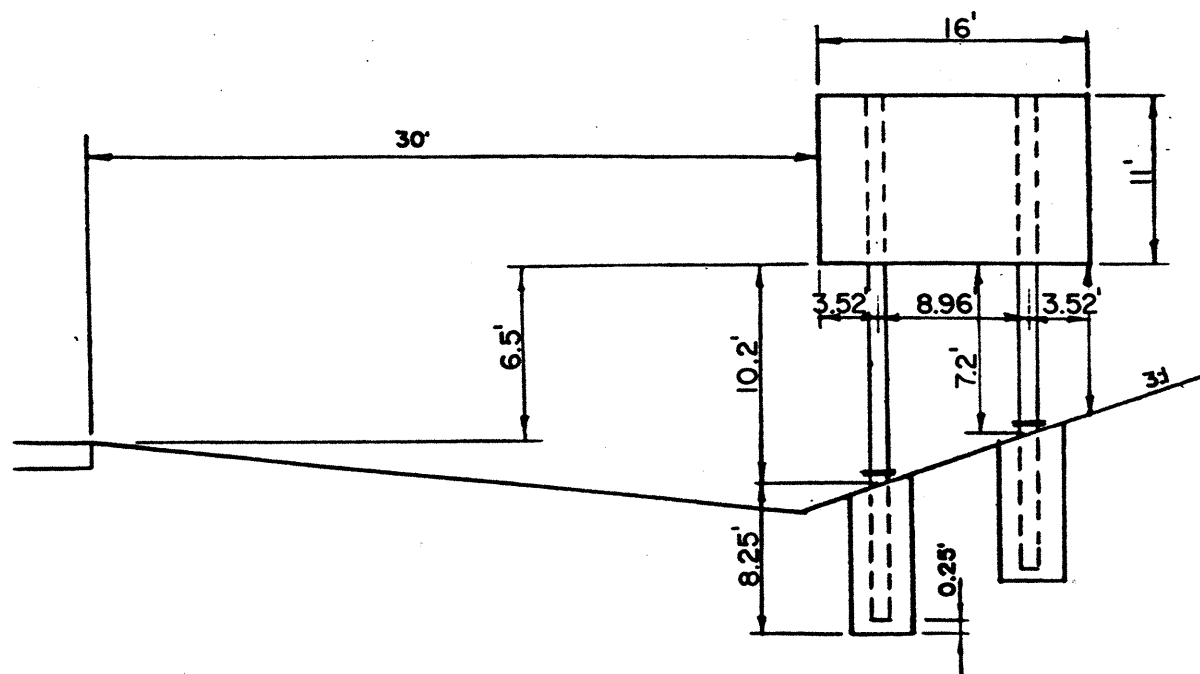
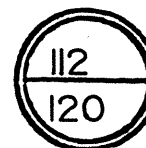
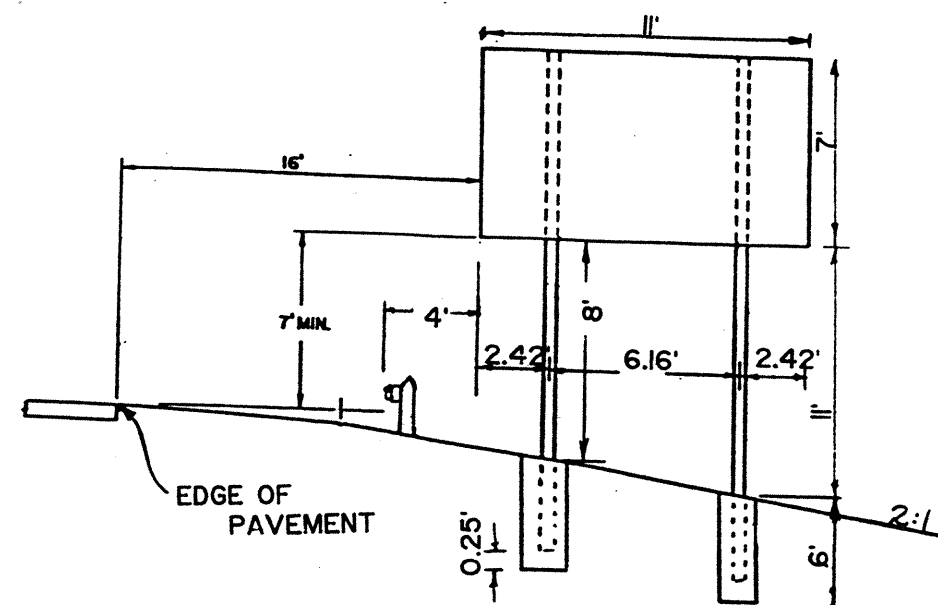


# SIGN ELEVATION VIEW

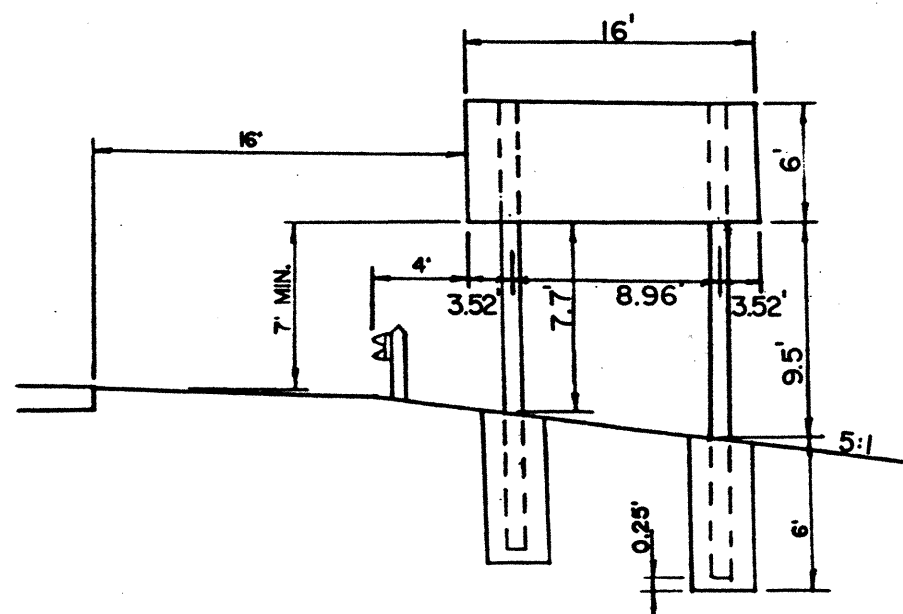
LAKE COUNTY  
LAK-90-13.00



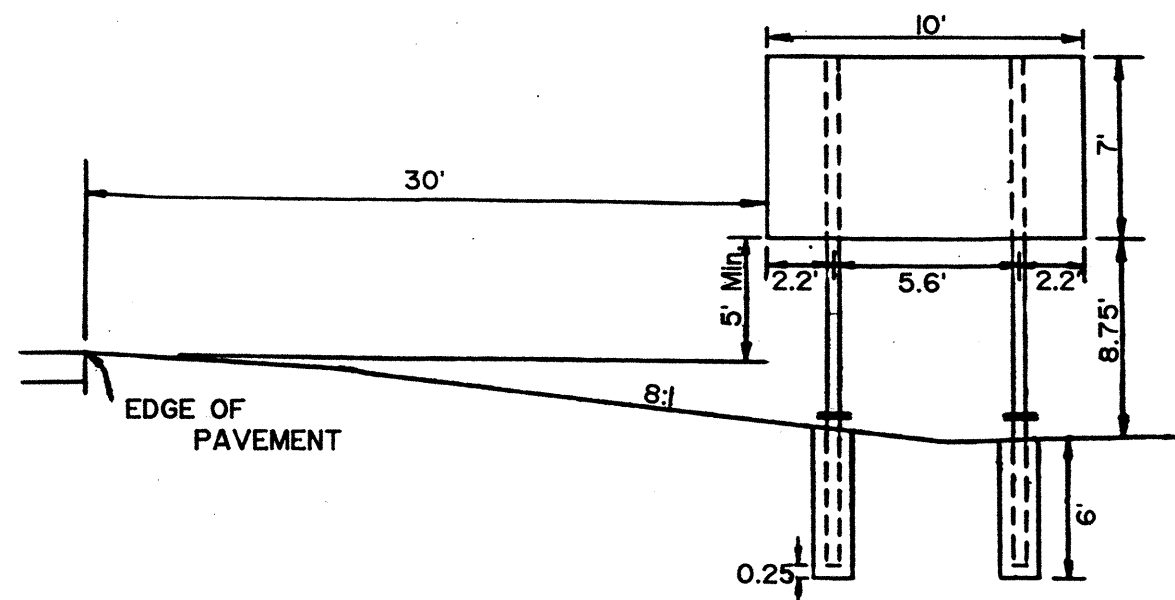
SIGN NO. 50A  
STA. 423+00



SIGN NO. 58B  
STA. 451+00



SIGN NO. 69  
STA. 538+18



SIGN NO. 74A  
STA. 555+25