

# END WALL DETAIL

LAKE COUNTY  
LAK - 90 - 13.00

PLAN NO.

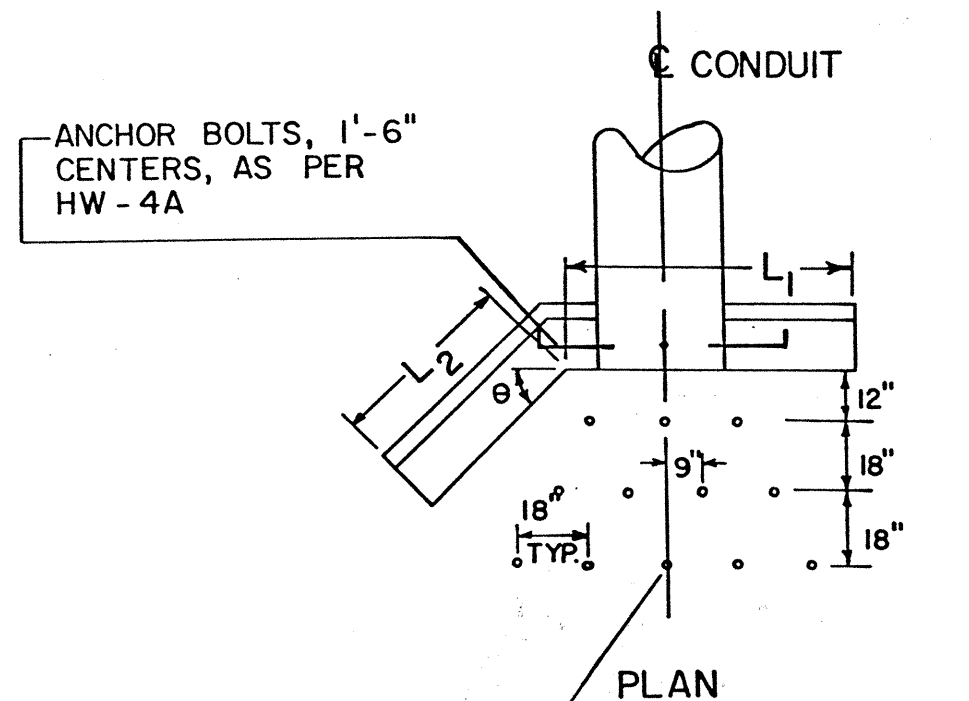
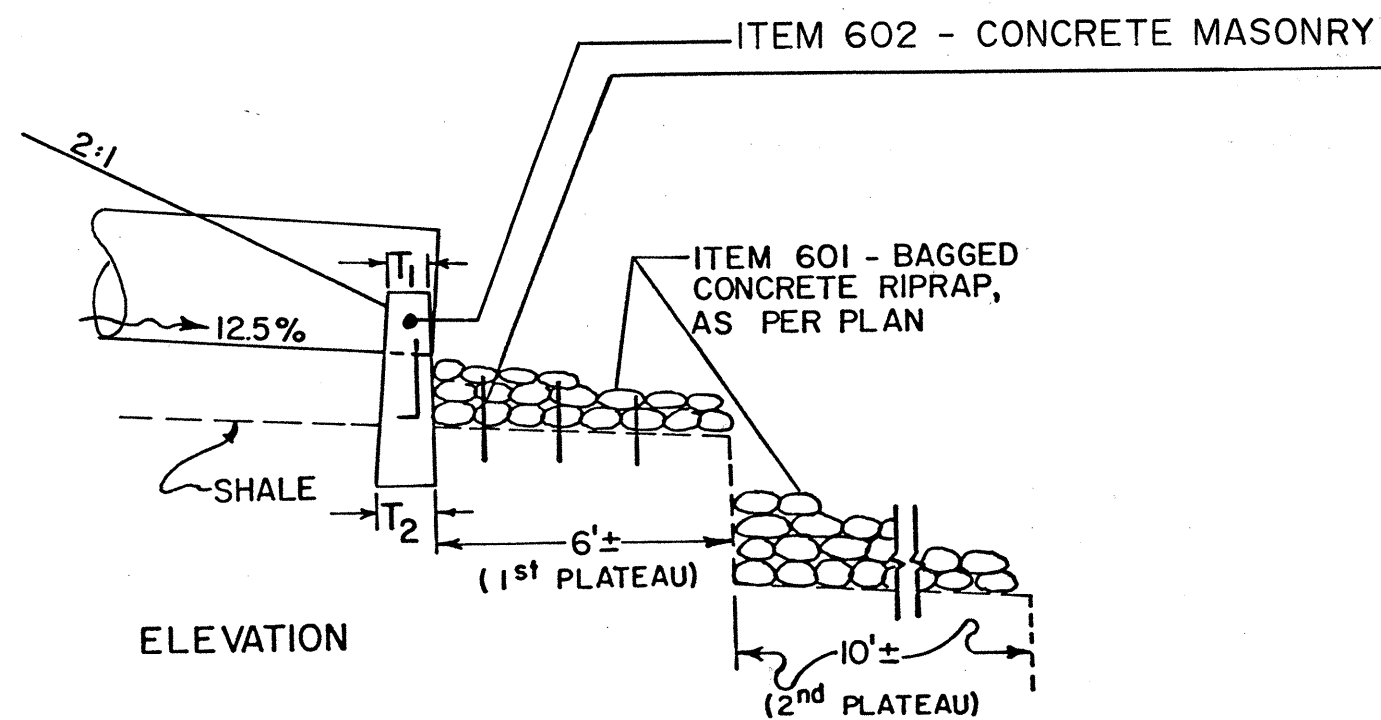
74  
120

## END WALL DIMENSIONS

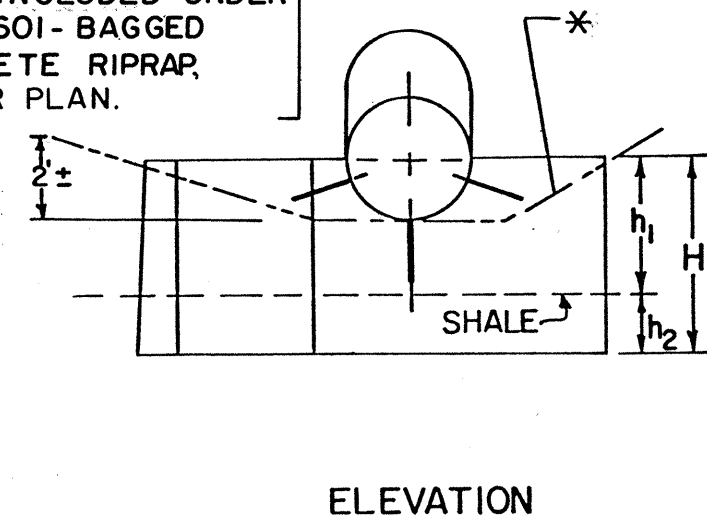
- $L_1 = 6'-0''$
- $L_2 = 4'-0''$
- $H = 4'-0''$
- $h_1 = 2'-9''$
- \*\*  $h_2 = 1'-3''$
- $T_1 = 1'-3''$
- $T_2 = 1'-6''$
- $\theta = 45^\circ$
- $\bar{L} = \text{STA } 1+29, 14.5'L$   
ELEV. 721.00
- VOLUME = 2.02 CU. YD.

\* TOP SURFACE OF BAGGED CONCRETE RIPRAP

\*\* END WALL TO BE SET INTO EXISTING SHALE TO A MINIMUM DEPTH OF 1'-3".



DOWEL HOLES REINFORCING STEEL TO BE INCLUDED UNDER ITEM 601 - BAGGED CONCRETE RIPRAP, AS PER PLAN.



DRAINAGE