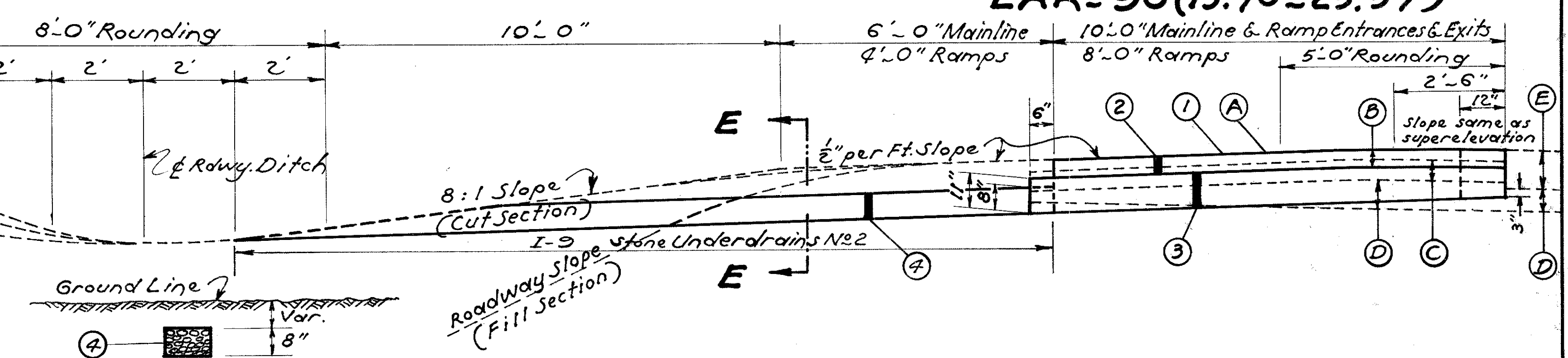
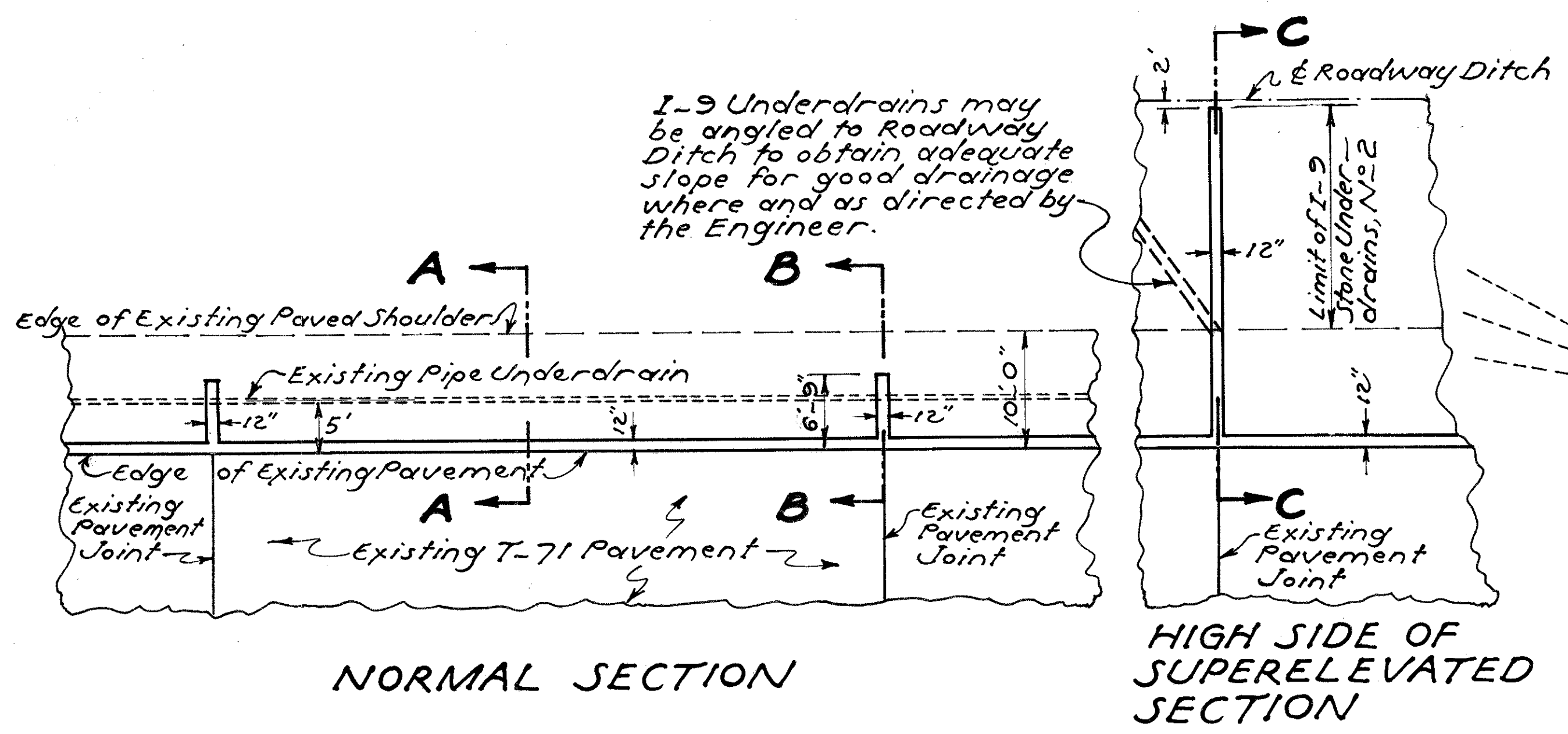


LAKE COUNTY LAK-90(13.70-25.57)



- ① Proposed T-31 Bituminous Surface Treatment using 0.009 Cu. Yd. No. 6 Aggregate and 0.28 Gal. Bituminous Material Sec. M-5.2 RC-3, Sec. M-5.3 MC-5, Sec. M-5.5 R3-1 or R3-2 or Sec. M-5.12 CBAE-3 per Sq. Yd.
- ② " B-21 4" Waterproofed Aggregate Base Course (Two Courses of T-35 Material may be substituted for this course - See General Note on sheet N° 3).
- ③ " I-18 5" stabilized Crushed Aggregate Shoulders and Approaches using No. 46 Aggregate (See Note on Sh. 3)
- ④ " I-9 Stone Underdrains, No. 2
- Ⓐ Existing T-31 Bituminous Surface Treatment
- Ⓑ " 3" Bituminous Macadam Base Course or Aggregate Base Course.
- Ⓒ " I-18 5" stabilized Crushed Aggregate Shoulders and Approaches
- Ⓓ " I-22 subbase
- Ⓔ " T-71 10" Reinforced Portland Cement Concrete Pavement
- Ⓕ " I-4 6" Pipe Underdrains

