

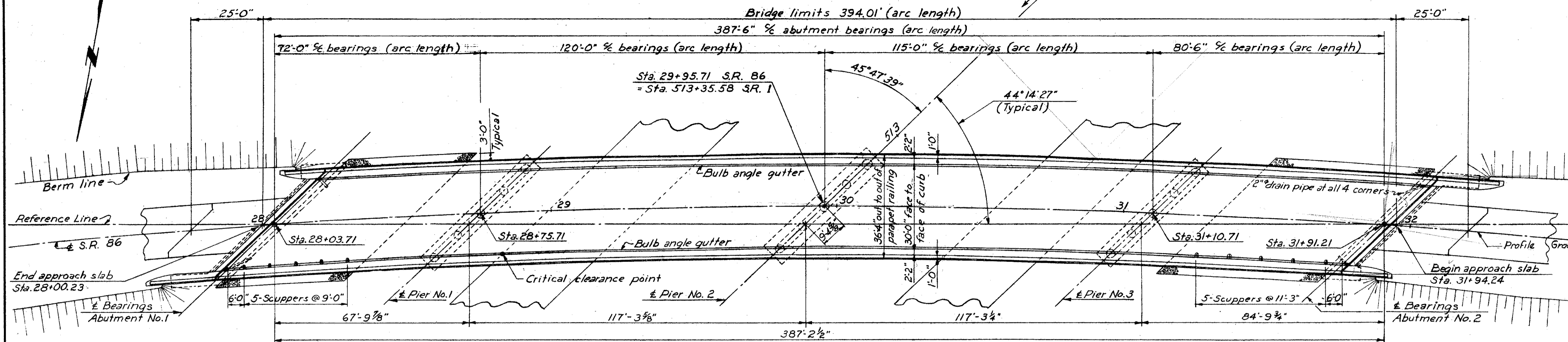
MICROFILMED
DEC 11 1967

FED. RD. DIVISION	STATE	PROJECT	463
2	OHIO	ACI-1103(21)	488

LAKE COUNTY
SEC. LAK-1-12.89

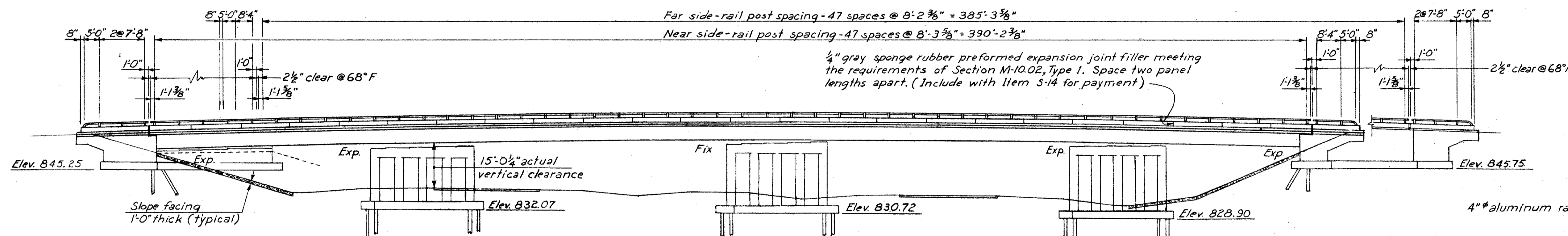
GENERAL NOTES

- DESIGN SPECIFICATIONS: This structure conforms to the requirements of "Design Specifications for Highway Structures" of the State of Ohio, Department of Highways, dated 9-1-57, together with revisions thereof dated 2-21-58.
- REFERENCE shall be made to Standard Drawings RB-1-55, dated 3-1-55, CSB-2-56, sheets 2 & 3 of 6, revised 3-1-58, AR-1-57, revised 3-1-58, and Supplemental Specifications S-114, revised 8-1-57.
- BAR SIZE is indicated in the bar mark. The first digit where three digits are used, and the first two digits where four are used, indicate the bar size number. For example, A700 is a No. 7 bar and A1014 is a No. 10 size bar.
- REPLACEMENT BARS: If reinforcing bars are fabricated from stock which has previously been tested and approved by the Ohio Highway Testing Laboratory, test samples as provided in Section S-4.02 need not be furnished and replacement bars will not be required.
- SLOPE FACING (S-29.05), one foot thick, shall be provided as indicated on the General Plan.
- PILES shall be driven to firm contact with shale. If the length of penetration is approximately equal to the depth to shale according to the bridge foundation investigation report, the firm contact shall be considered as attained when the capacity according to the formula in Sec. S-18.05 is not less than the following value for a pile hammer of the indicated energy rating:
Abutments -
34 tons per pile using a 11,000 ft.lb. hammer
31 tons per pile using a 15,000 ft.lb. or greater hammer
Piers -
35 tons per pile using a 11,000 ft.lb. hammer
30 tons per pile using a 15,000 ft.lb. or greater hammer
If the energy rating of the hammer is between the ratings as shown above, the required formula capacity shall be determined by interpolation. The design load is 30 tons per pile for both the abutment and the pier piles.

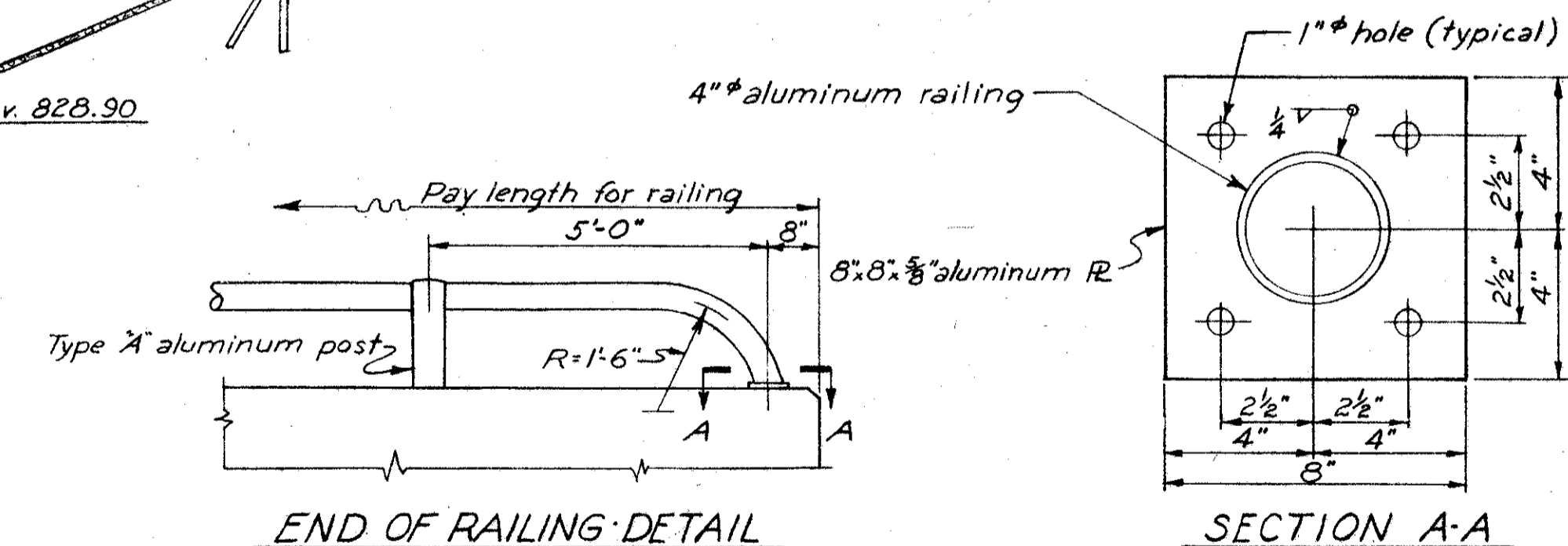


NOTE: Reference Line is chord between bearings of abutments

GENERAL PLAN



ELEVATION

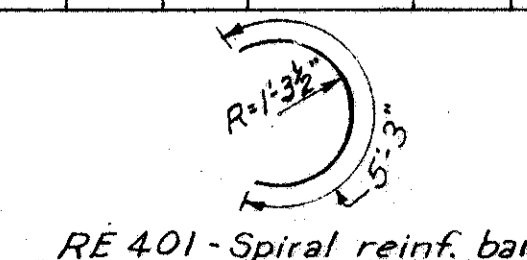


END OF RAILING-DETAIL

+4.00% | -4.113%
V.P.I. Station 30+00
Elevation 867.30
L.V.C. 600'
M.O. 6.084'
CURVE DATA

ESTIMATED QUANTITIES							
ITEM	TOTAL	UNIT	DESCRIPTION	SUPERSTR.	ABUTS.	PIERS	GENERAL
E-2	1007	Cu.Yds.	Unclassified excavation		613	394	
S-1	450	Cu.Yds.	Class "C" concrete, superstructure	450			
S-1	122	Cu.Yds.	Class "C" concrete, pier caps and columns			122	
S-1	88	Cu.Yds.	Class "E" concrete, abutments above footings		88		
S-1	227	Cu.Yds.	Class "E" concrete, footings		99	128	
S-4	188,009	Lbs.	Reinforcing steel	116,550	19,552	51,907	
S-7	674,813	Lbs.	Structural steel	674,813			
S-8	674,813	Lbs.	Field Painting of Structural Steel	674,813			
S-14	854	Lin.Ft.	Railing (Aluminum rail & supports & concrete parapet)	780	74		
S-16		LumpSum	First test pile				Lump
S-18	3,937	Lin.Ft.	Steel piles, 12 BP53		1,470	2,467	
S-29	77	Cu.Yds.	Porous backfill		77		
S-29	183	Cu.Yds.	Slope facing (S29.05 Type)				183

REPLACEMENT BARS					
MARK	NO.	SIZE	LENGTH	TYPE	WEIGHT
RE 400	1	4	5'-3"	Str.	
RE 401	1	4	3'-3"	Bent	
RE 500	1	5	5'-7"	Str.	
RE 600	2	6	5'-11"	Str.	
RE 700	2	7	6'-3"	Str.	
RE 800	1	8	6'-6"	Str.	
RE 1000	1	10	7'-3"	Str.	
RE 1100	1	11	7'-7"	Str.	



SEC. C-32 FED. AID PROJ. NO. ACI-1103(21)

PREPARED BY
CAPITOL ENGINEERING ASSOCIATES, DILLSBURG, PA.
FOR

STATE OF OHIO
DEPARTMENT OF HIGHWAYS

GENERAL PLAN
BRIDGE NO. LAK-1-1644
S.R.I. UNDER S.R. 86
LAKE COUNTY

STA. 513 + 35.58

DESIGNED	DRAWN	TRACED	CHECKED	REVISED	DATE	REVISED
JFM	JFM					