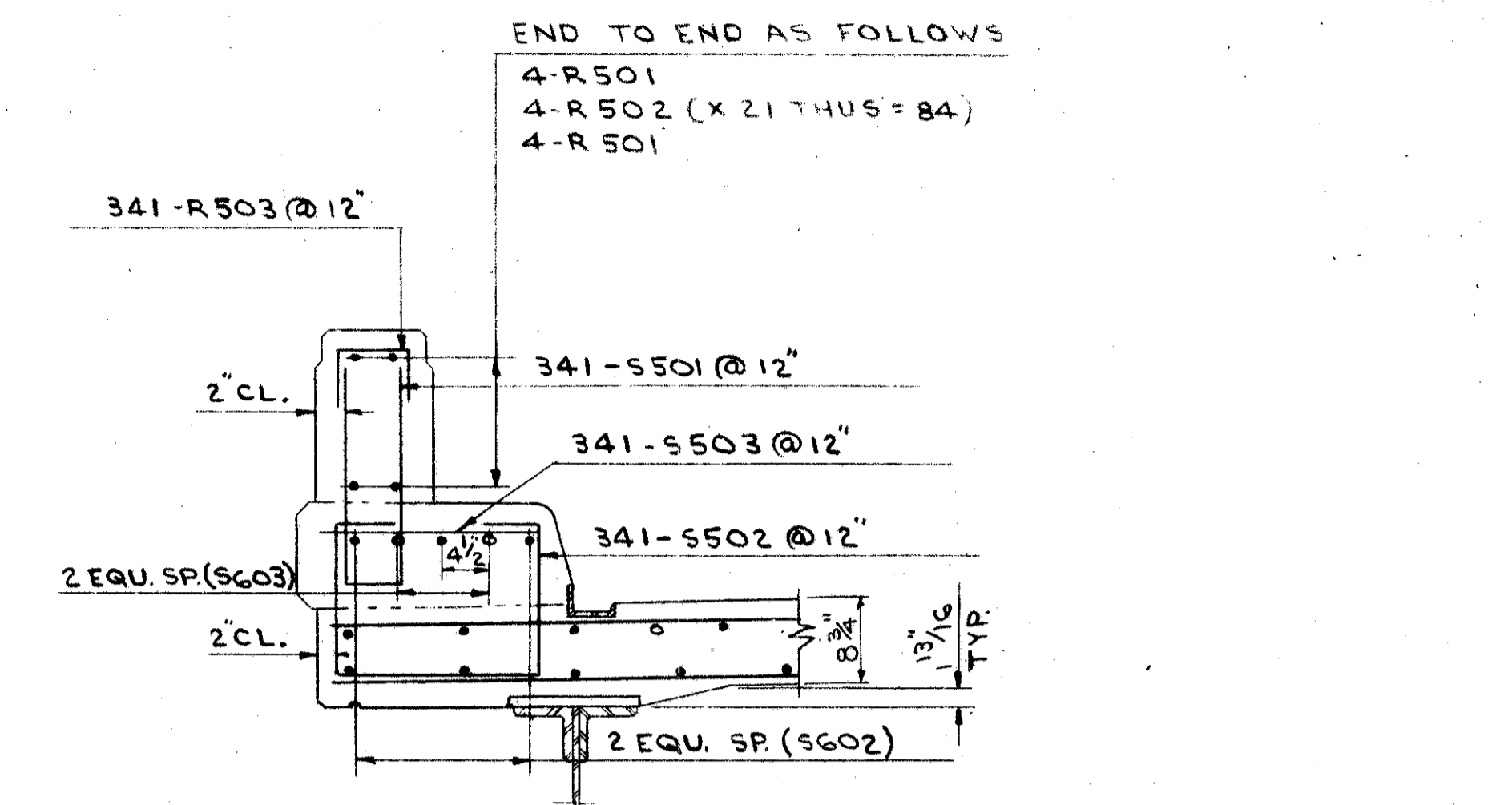
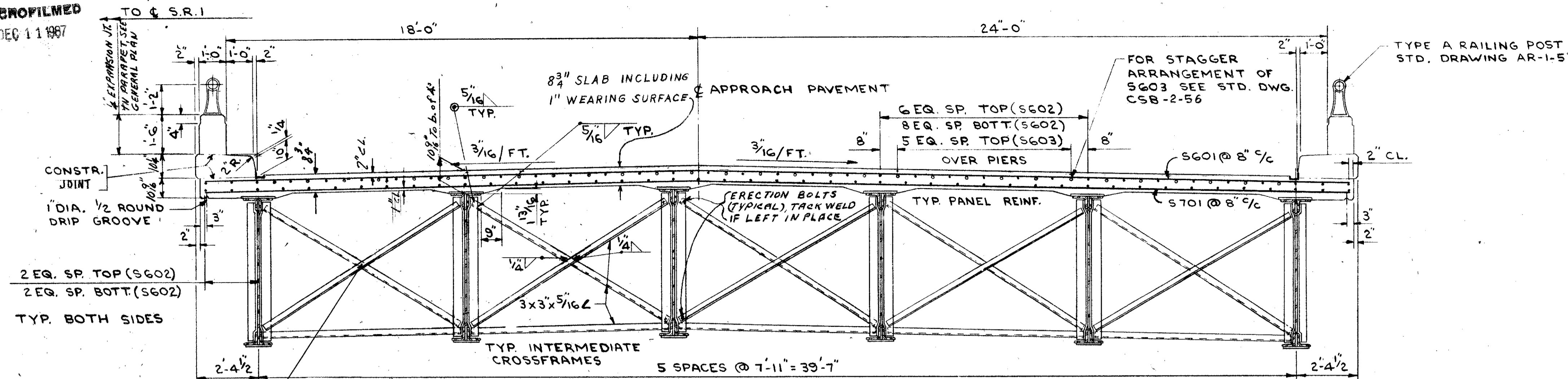


MICROFILMED
DEC 11 1987

FED. RD. DIVISION	STATE	PROJECT
2	OHIO	ACI-1103(2)

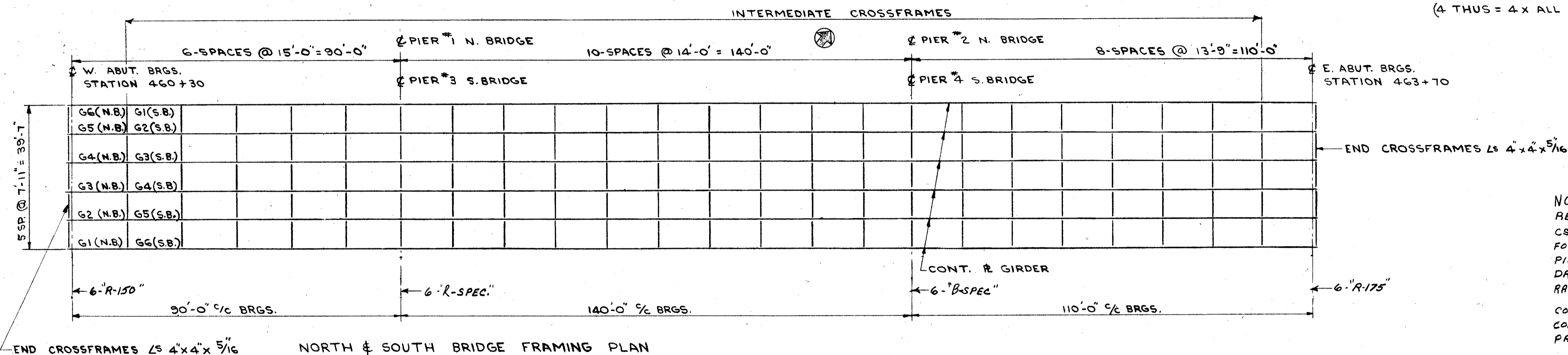
(159 488)

LAKE COUNTY
LAK-1-12.89

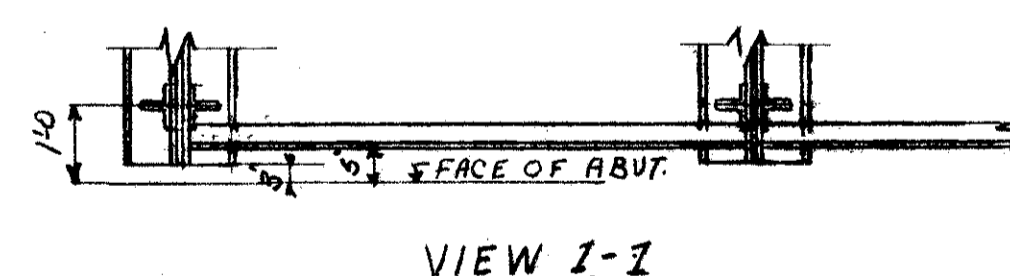


TYPICAL NORMAL CROSS SECTION OF
NORTH BRIDGE LOOKING WEST
SOUTH BRIDGE LOOKING EAST

PARAPET & SAFETY WALK REINF. NORTH & SOUTH BRIDGE
(4 THUS = 4 X ALL BARS SHOWN)



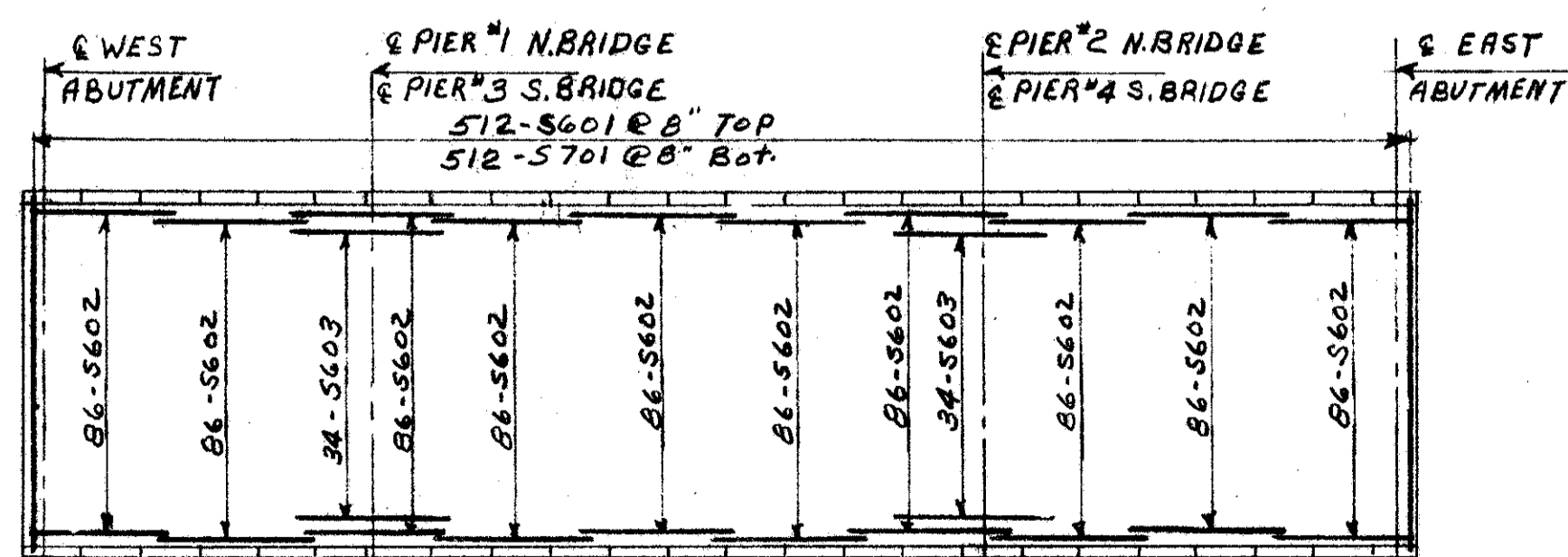
NORTH & SOUTH BRIDGE FRAMING PLAN



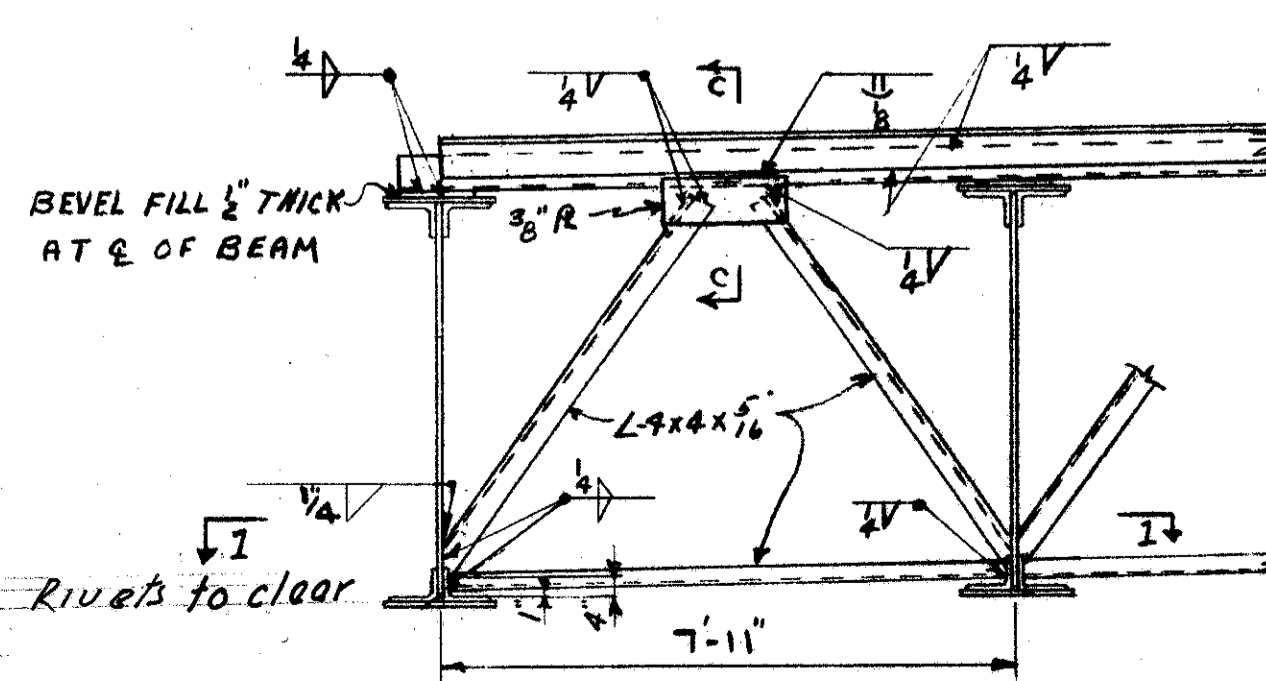
VIEW I-I

BEARING DATA
ROCKER TYPE BRGS. REQ'D AT PIERS #1 & #3
(12-REQ'D SPECIAL 'R')
BOLSTER TYPE BRGS. REQ'D AT PIERS #2 & #4
(12-REQ'D SPECIAL 'B')
ROCKER TYPE BRGS. REQ'D AT W. ABUTMENT
(12-REQ'D STD. DWG. RB-1-55 TYPE R-150)
ROCKER TYPE BRGS. REQ'D AT E. ABUTMENT
(12-REQ'D STD. DWG. RB-1-55 TYPE R-175)

NOTES:
REFERENCE SHALL BE MADE TO STANDARD DRAWING CSB-2-56 SHEETS 2 & 3 OF 6, REVISED 3-1-58, FOR DETAILS OF END DAMS, GUTTERS, SCUPPERS, PIPE DRAINS, AND CURB PLATES, ALSO TO STANDARD DRAWING AR-1-57, REVISED 8-1-58 FOR ALUMINUM RAILING TYPE 'A' AND CONCRETE PARAPET DETAILS.
CONCRETE AND REINFORCING STEEL ABOVE PARAPET CONSTRUCTION JOINT INCLUDED WITH RAILING FOR PAYMENT.
ALL CONCRETE CLASS 'C'
WELDING OF STRUCTURAL STEEL SHALL BE CLASS 'A' EXCEPT AS OTHERWISE SHOWN.
WELDS SHOWN AS FIELD WELDS MAY, AT THE OPTION OF THE CONTRACTOR, BE MADE IN THE SHOP.



DECK REINFORCING PLAN
NORTH & SOUTH BRIDGE



END CROSSFRAMES AT ABUTMENTS
(FOR SECTION C-C SEE STD. DWG. CSB-2-56 REVISED 3-1-58, SH 2 OF 6)

BOLSTER NO.	ROCKER NO.	DIMENSIONS (INCHES)										WT. (LB.)	MAXIMUM BOLSTER/ROCKER LOAD (LB.)			
A	B	C	D	F	G	H	K	L	M	R	T	Y				
SPEC 'B'	SPEC 'R'	4	24	4	3 1/2	1	14	23 3/8	14	30	27	16	3 1 15/16	1066	1394	370,000

NOTE: SEE STD. DWG. #RB-1-55 DATED 3-1-55 FOR EXPLANATION OF ABOVE TABLE.

SEC. C-32 FED. AID PROJ. ACI-1103 (21)

PREPARED BY
CAPITOL ENGINEERING ASSOCIATES, DILLSBURG, PA.
FOR
STATE OF OHIO
DEPARTMENT OF HIGHWAYS

SUPERSTRUCTURE DETAILS
BRIDGE NO. LAK-1-1542
S.R.1 OVER BIG CREEK
LAKE COUNTY

STA. 461+90.00

DESIGNED	DRAWN	TRACED	CHECKED	REVIEWED BY	REVISED
J.G.	J.G.		RAH		