

BILL OF REINFORCING BARS - SUBSTRUCTURE

MARK	NO.	SIZE	LENGTH	REMARKS	WEIGHT
N1	19	#10	14'-6"	STR.	
N2	18	#10	9'-6"	STR.	
N3	25	#6	4'-0"	STR.	
N4	30	#6	8'-0"	STR.	
N5	25	#6	14'-6"	STR.	
N6	20	#6	14'-6"	BENT	
N7	48	#6	4'-6"	BENT	
N8	10	#6	28'-0"	STR.	
N9	8	#6	15'-0"	STR.	
N10	178	#6	5'-6"	STR.	
N11	26	#6	7'-0"	STR.	
N12	22	#6	19'-6"	STR.	
N13	10	#6	27'-0"	STR.	
N14	8	#6	5'-6"	BENT	
N15	8	#6	21'-6"	STR.	
N16	42	#6	3'-6"	STR.	
N17	44	#6	10'-0"	BENT	
N18	38	#6	9'-0"	BENT	
N19	24	#6	23'-0"	STR.	
N20	4	#6	19'-6"	STR.	
N21	4	#6	15'-6"	STR.	
N22	4	#6	11'-9"	STR.	
N23	4	#6	8'-0"	STR.	

BILL OF REINFORCING BARS - SUBSTRUCTURE

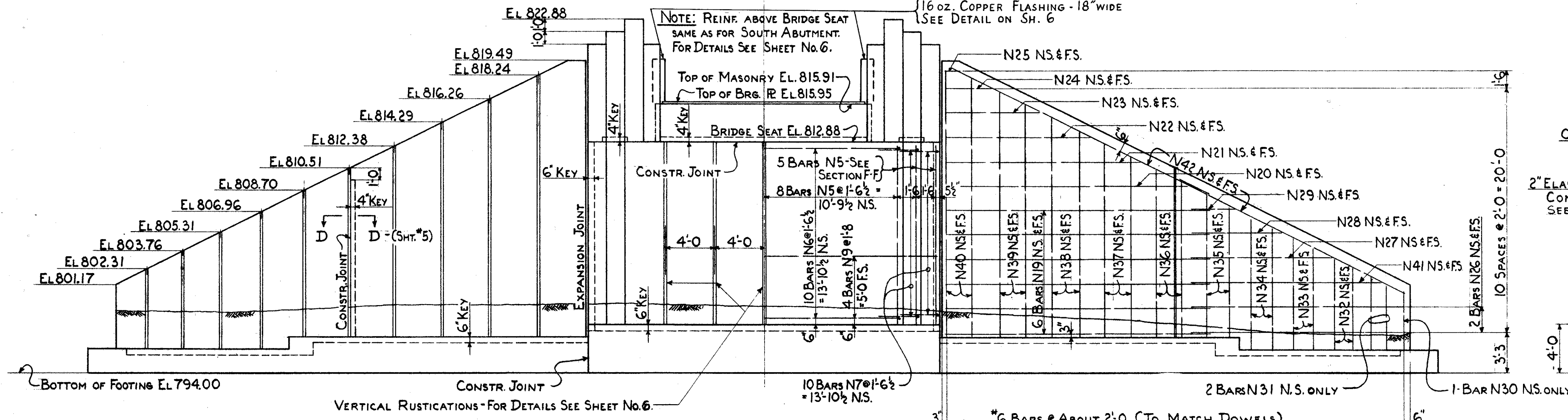
MARK	NO.	SIZE	LENGTH	REMARKS	WEIGHT
N24	4	#6	4'-3"	STR.	
N25	4	#6	2'-0"	STR.	
N26	8	#6	21'-3"	STR.	
N27	4	#6	15'-0"	STR.	
N28	4	#6	10'-3"	STR.	
N29	4	#6	5'-9"	STR.	
N30	2	#6	5'-0"	STR.	
N31	4	#6	5'-6"	STR.	
N32	8	#6	7'-0"	STR.	
N33	8	#6	8'-6"	STR.	
N34	8	#6	10'-3"	STR.	
N35	8	#6	12'-0"	STR.	
N36	8	#6	13'-0"	STR.	
N37	8	#6	15'-0"	STR.	
N38	8	#6	17'-0"	STR.	
N39	8	#6	19'-3"	STR.	
N40	8	#6	21'-9"	STR.	

FED. DIVISION	STATE	PROJECT	451
2	OHIO	ACI-1103(21)	488

LAKE COUNTY
SEC. LAK-1-12.89

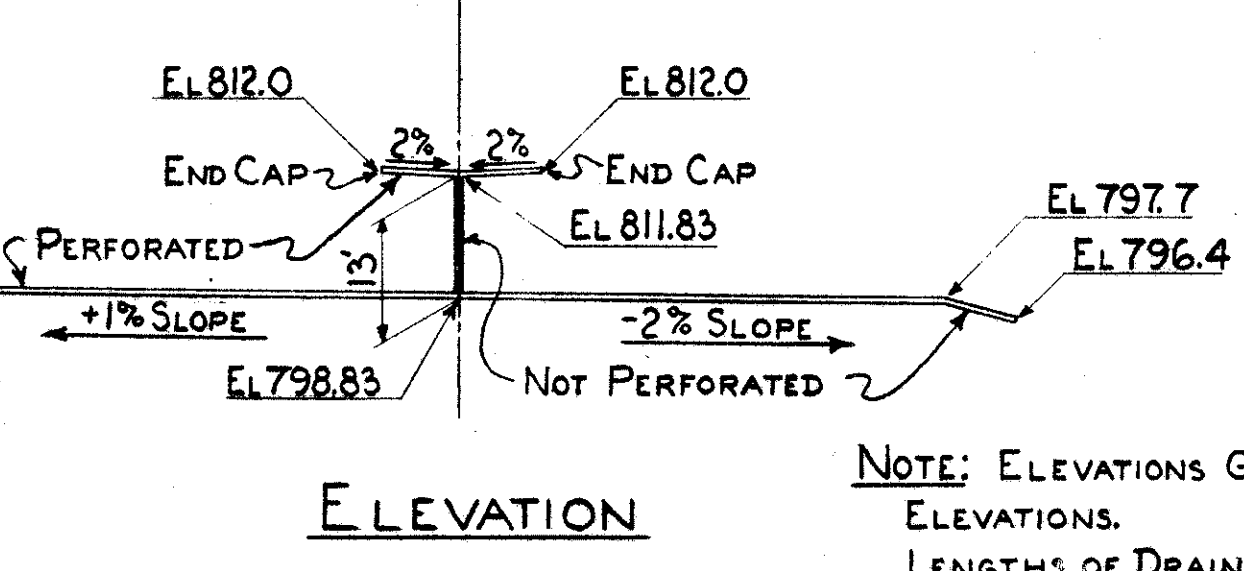
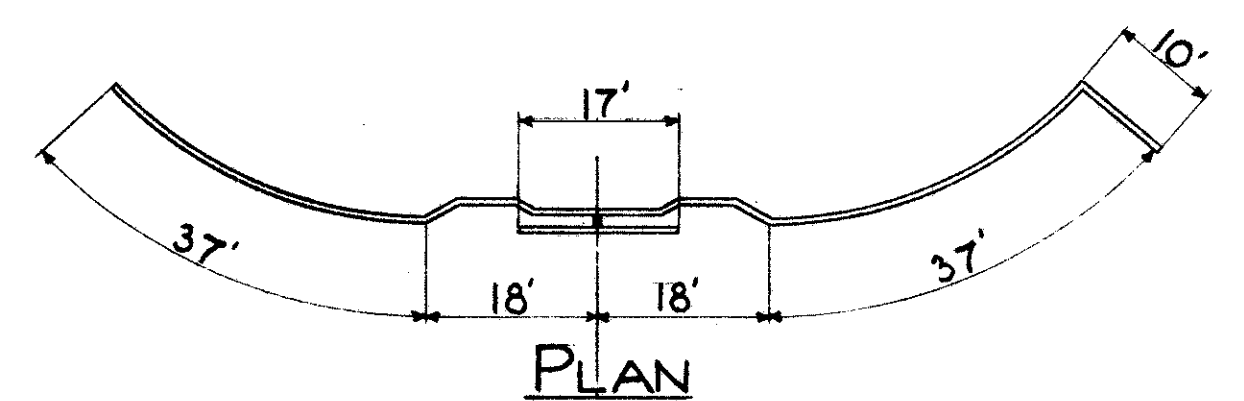
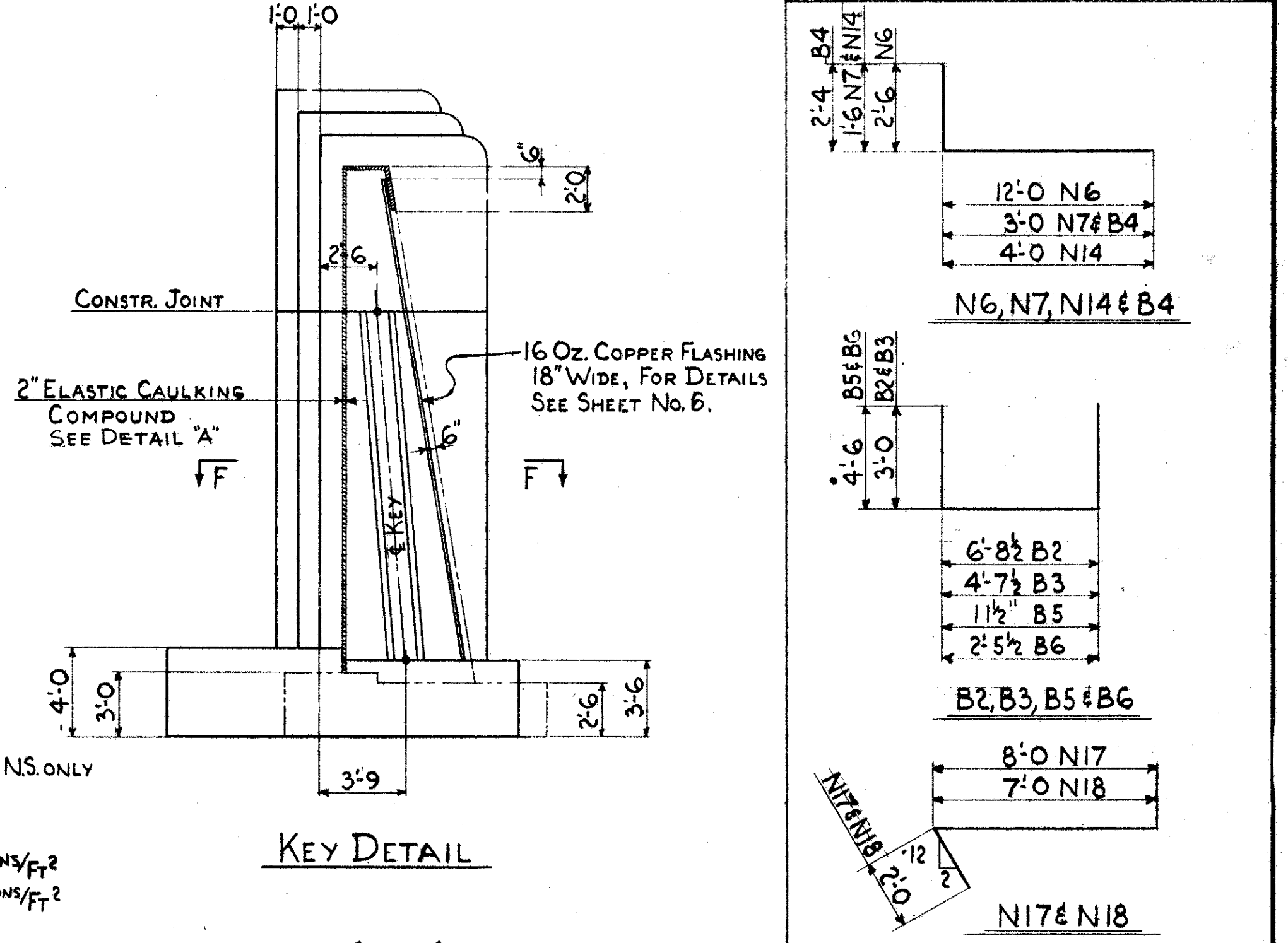
PLAN AT TOP OF ABUTMENT AND WINGWALL
SCALE: 3/16" = 1'-0"

PLAN AT TOP OF FOOTING
SCALE: 3/16" = 1'-0"

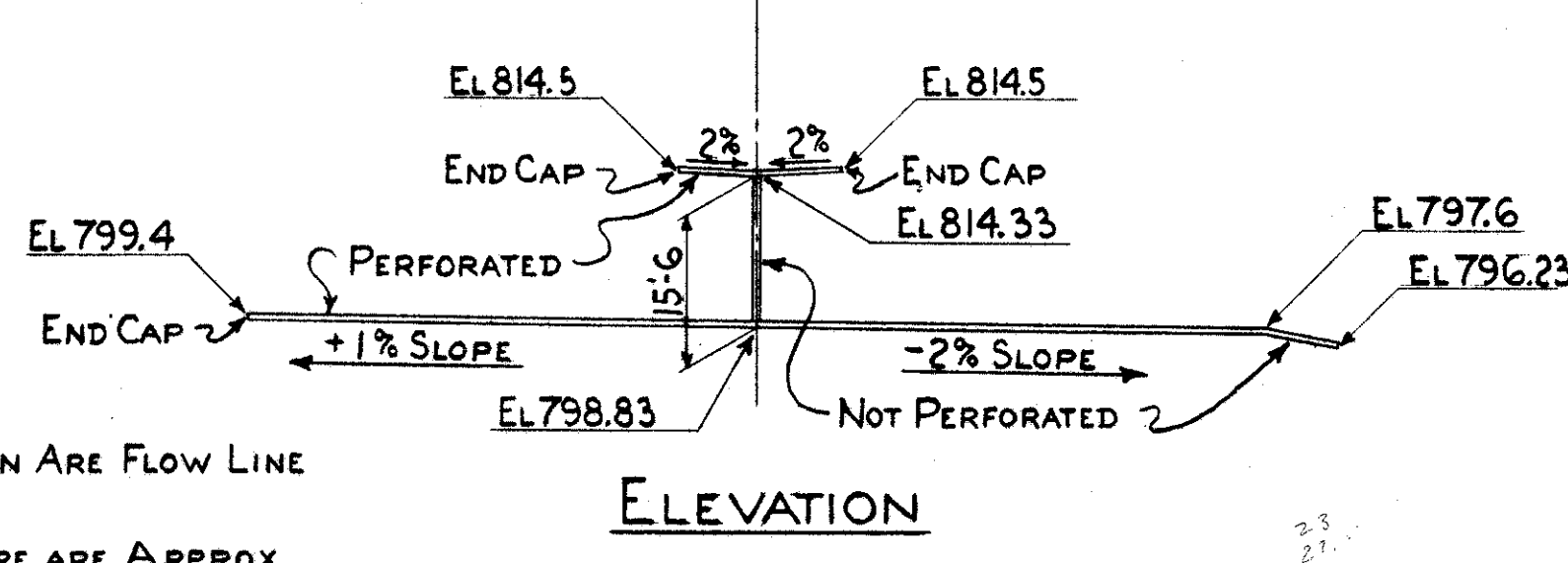
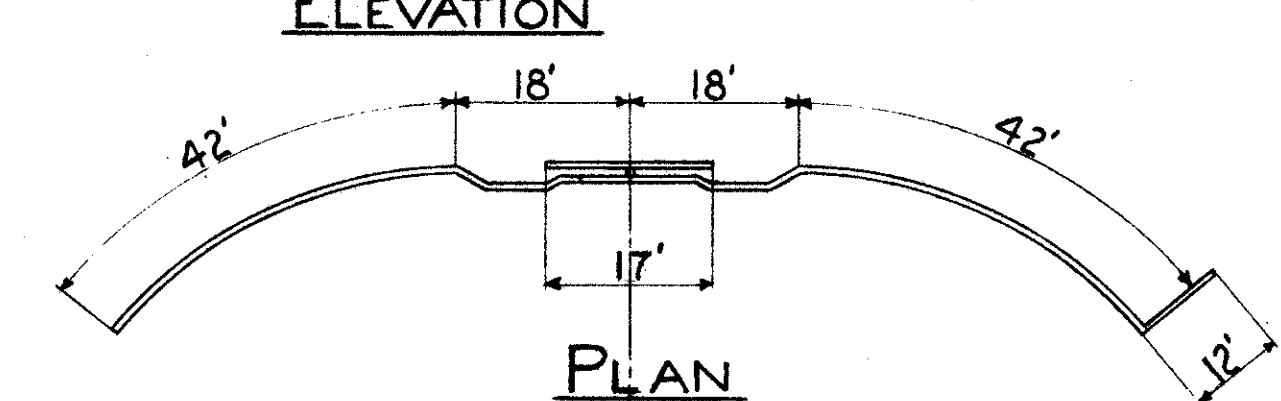


TOTAL WT. OF REINF. 12,341 LB.

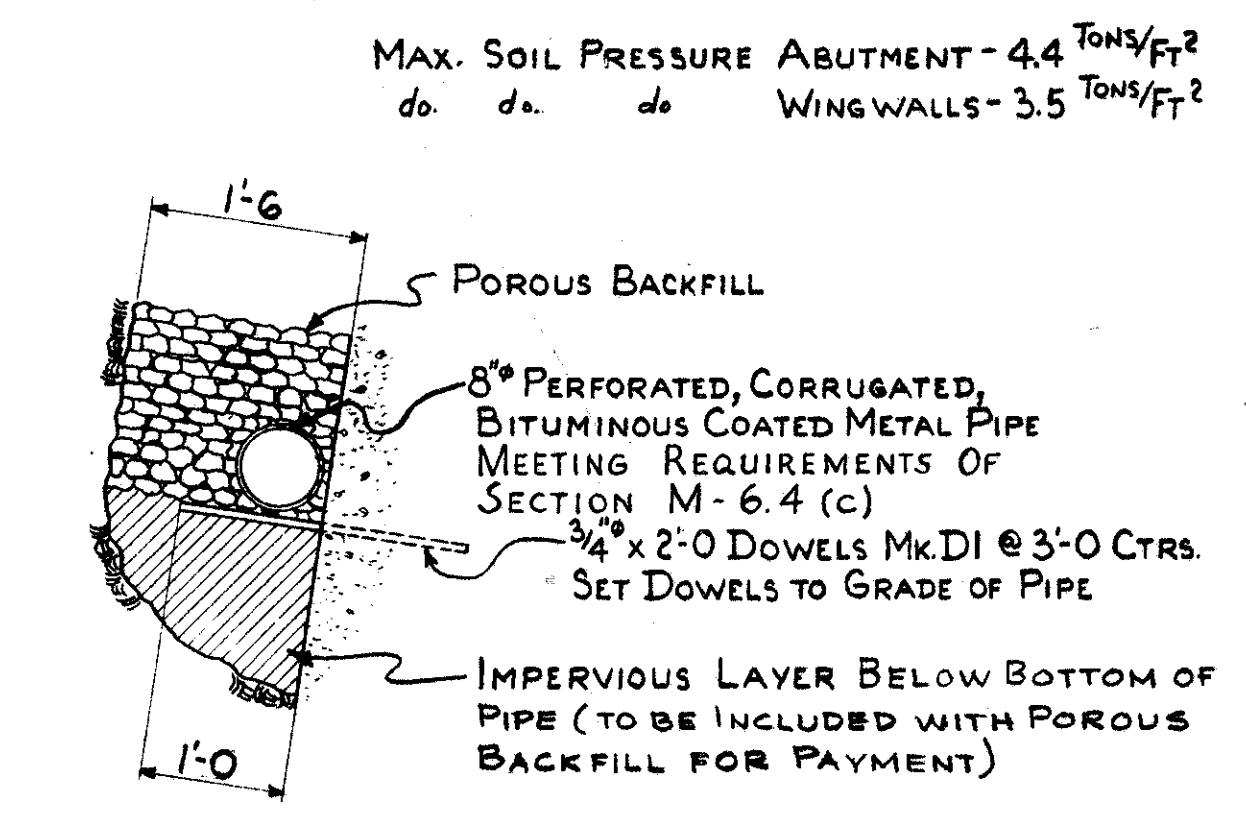
BENDING DIAGRAMS



DRAINAGE OF NORTH ABUTMENT
SCALE: 1" = 20'



DRAINAGE OF SOUTH ABUTMENT
SCALE: 1" = 20'



DETAIL AT DRAIN
SCALE: 3/4" = 1'-0"

NOTE
ALL JOINTS SHALL BE FLASHED
WITH COPPER FLASHING

NOTE
FOR GENERAL PLAN, GENERAL NOTES
AND QUANTITIES, SEE SHEET NO. 2

WORK THIS SHEET WITH SHEET NO. 6
SEC. C-32 FED. AID PROJ. NO. ACI-1103(21)

PREPARED BY
CAPITOL ENGINEERING ASSOCIATES, DILLSBURG, PA
FOR

STATE OF OHIO
DEPARTMENT OF HIGHWAYS

BRIDGE NO. LAK-1-1501
S.R.I UNDER B&O RAILROAD
LAKE COUNTY
SEC. LAK-1-11.59 STA. 438+18.95
NORTH ABUTMENT

DESIGNED	DRAWN	TRACED	CHECKED	REVISED	DATE	REVISION
FHL	JWL	JWL	FAMUSO			