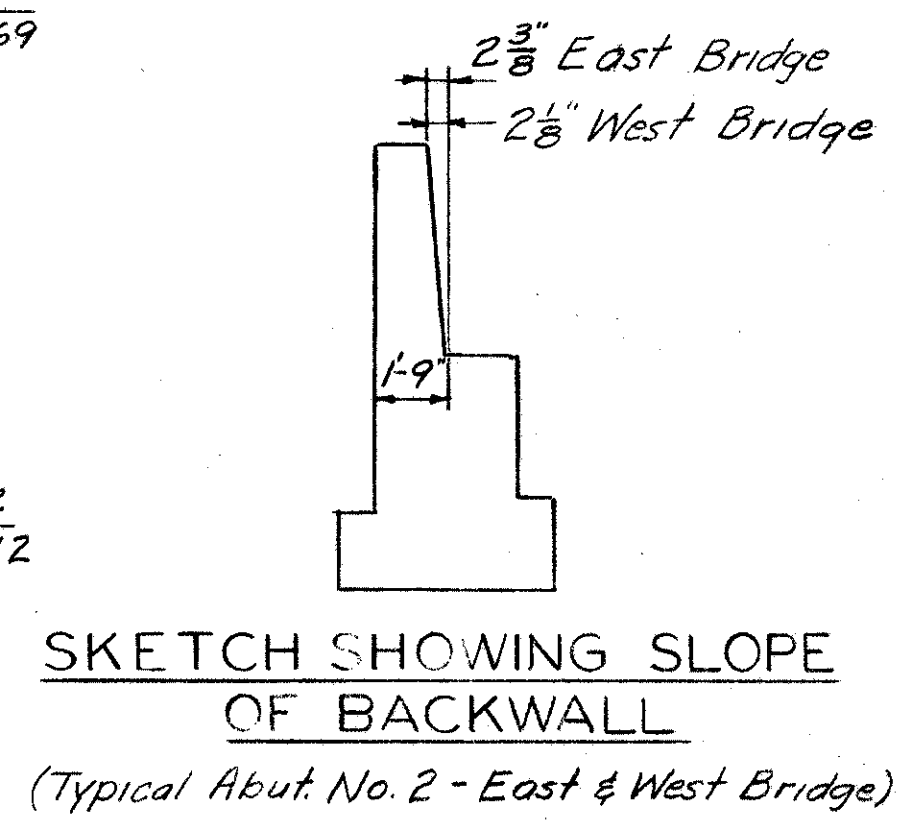
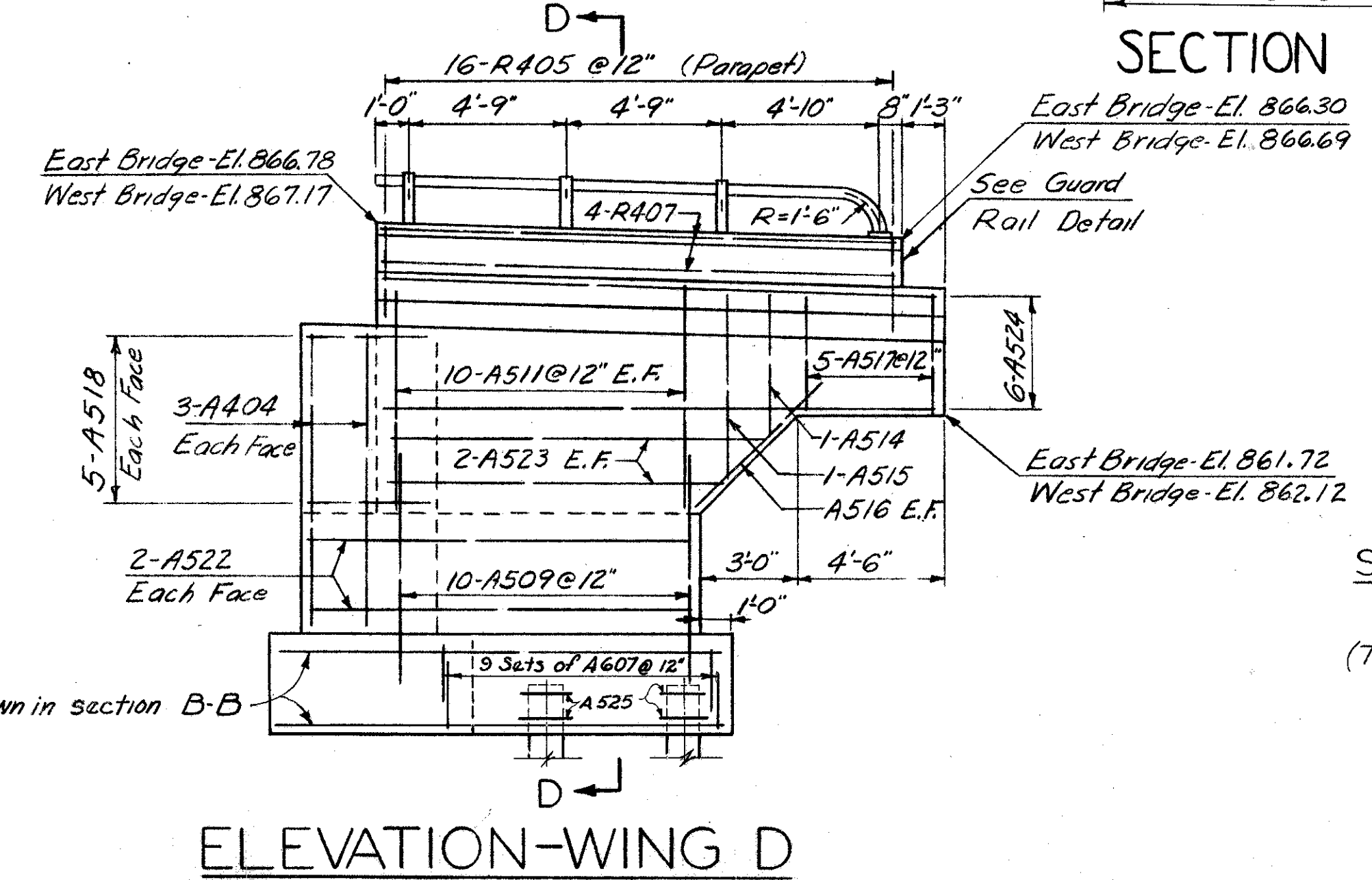
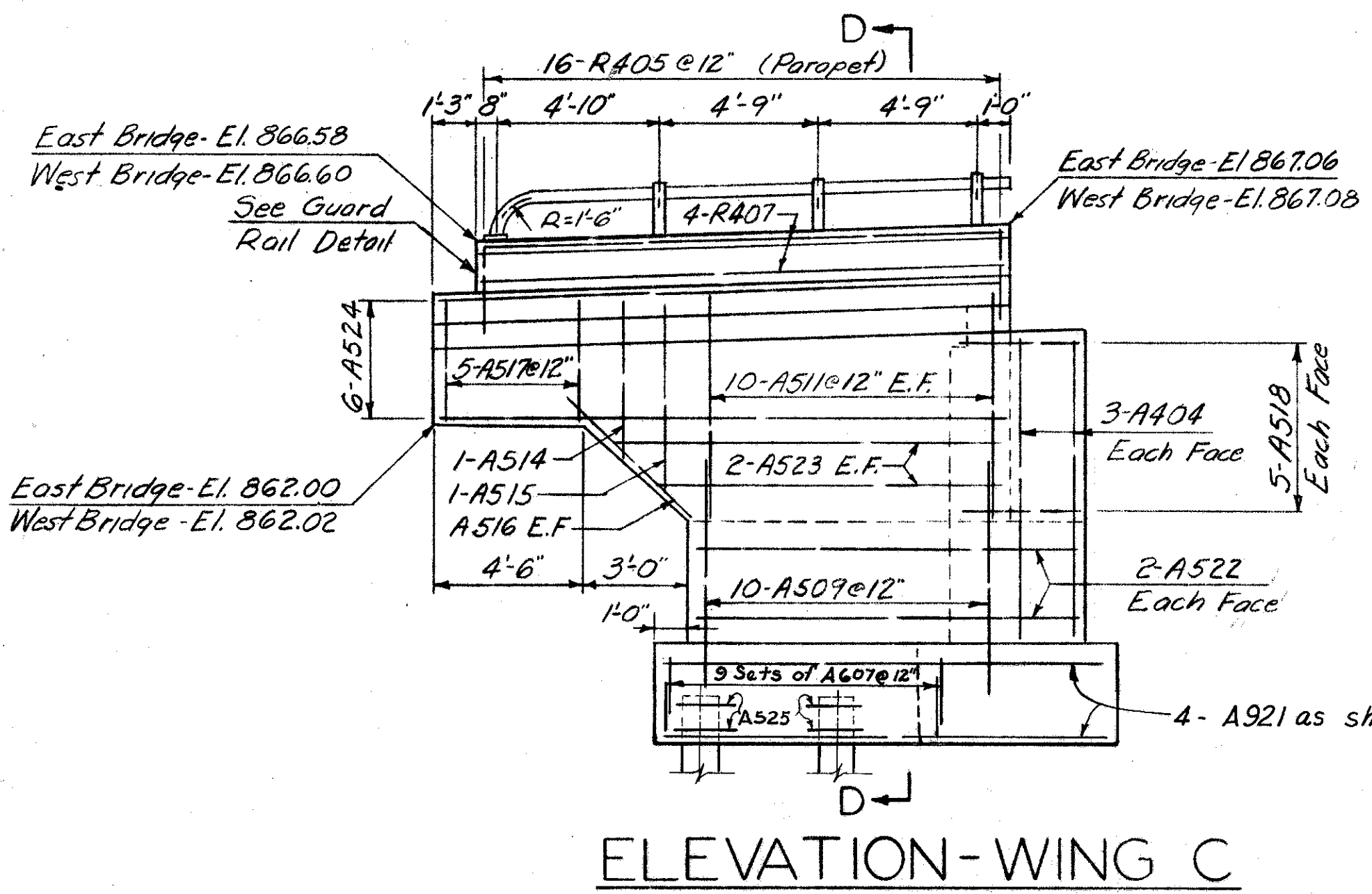
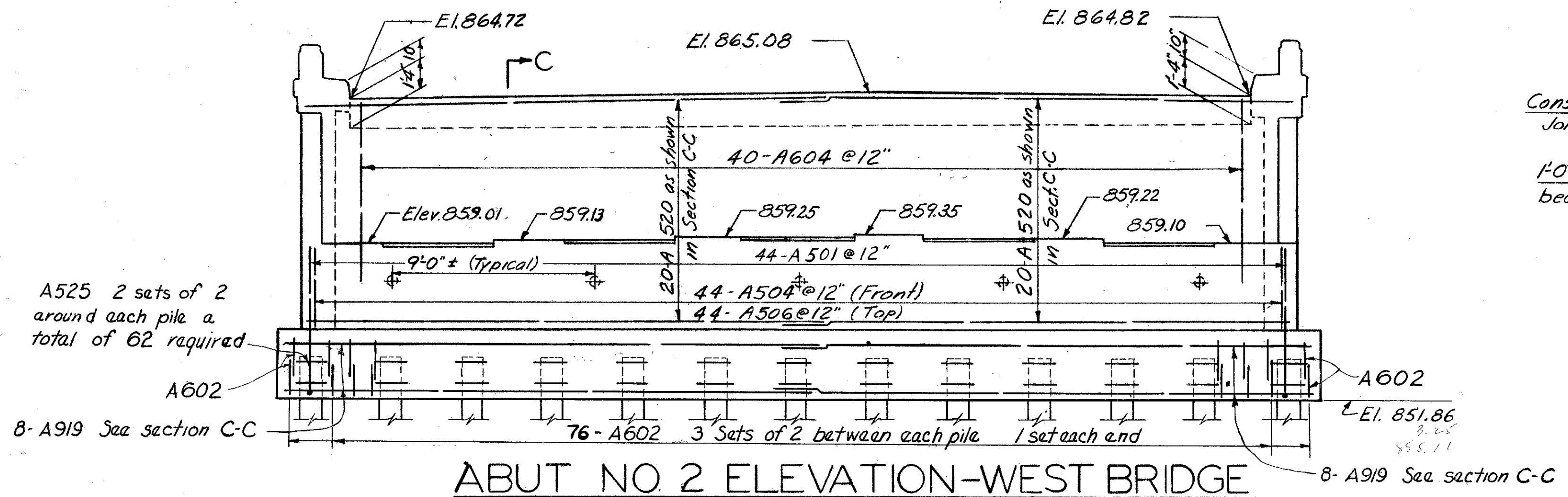
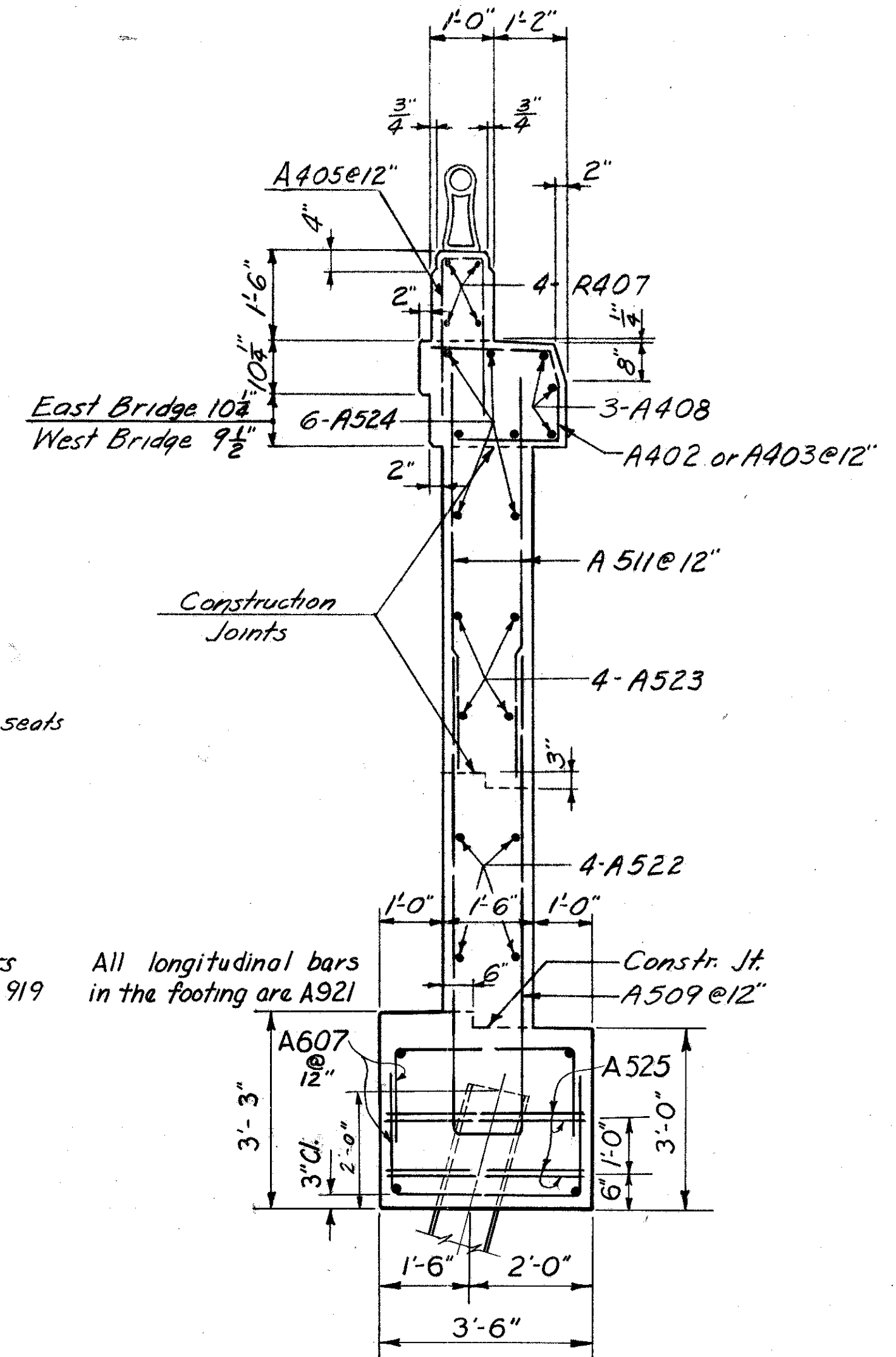
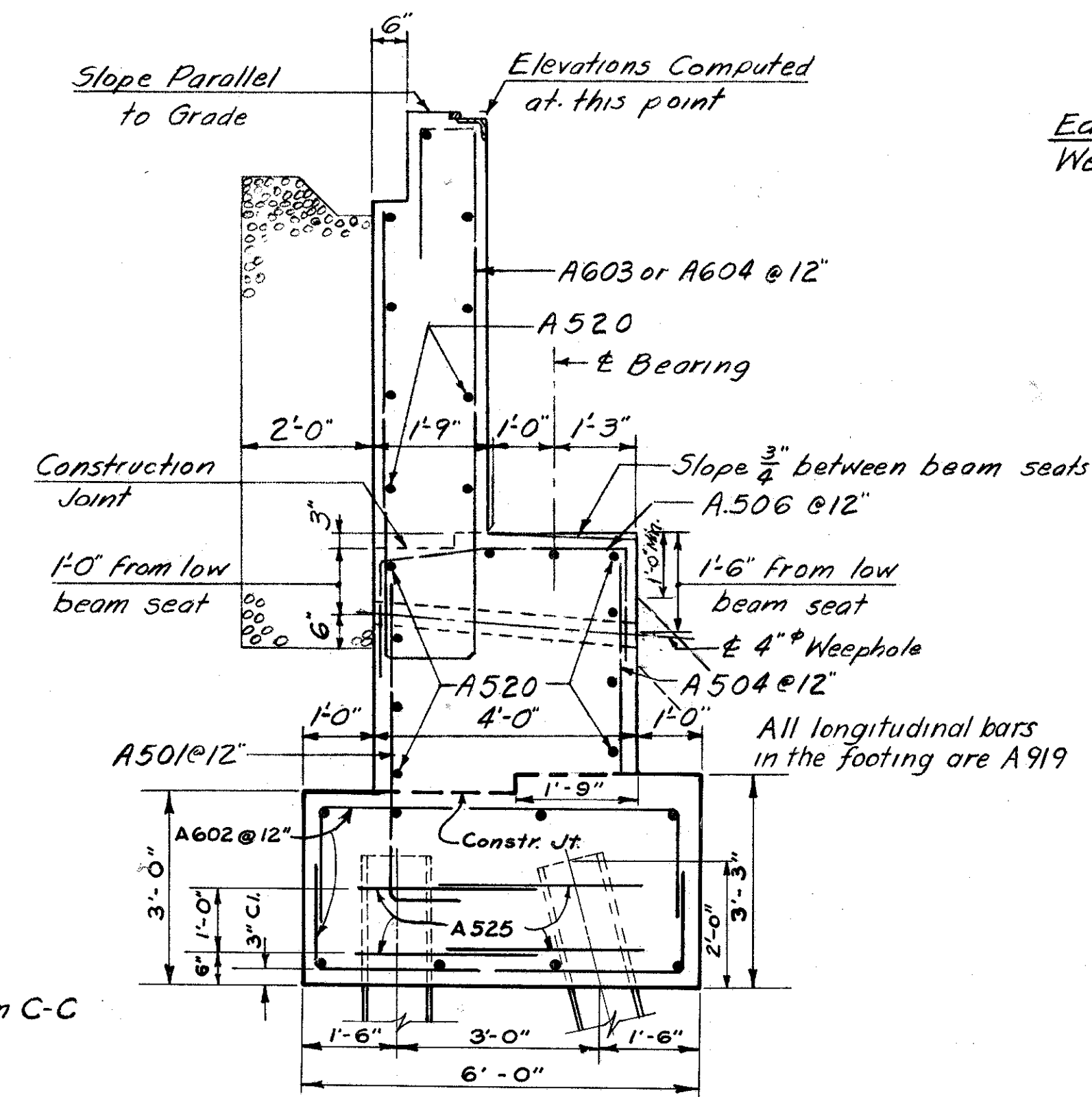
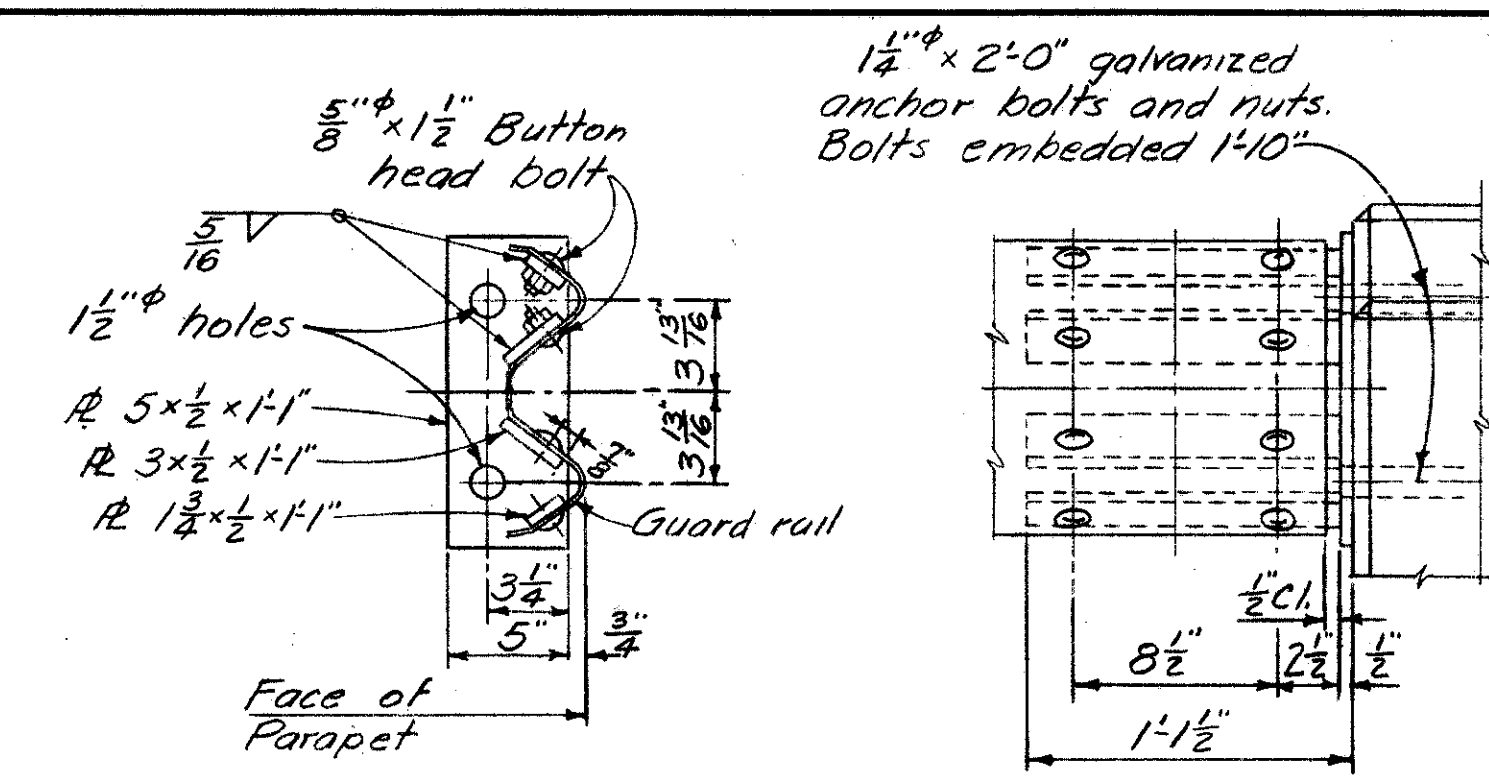
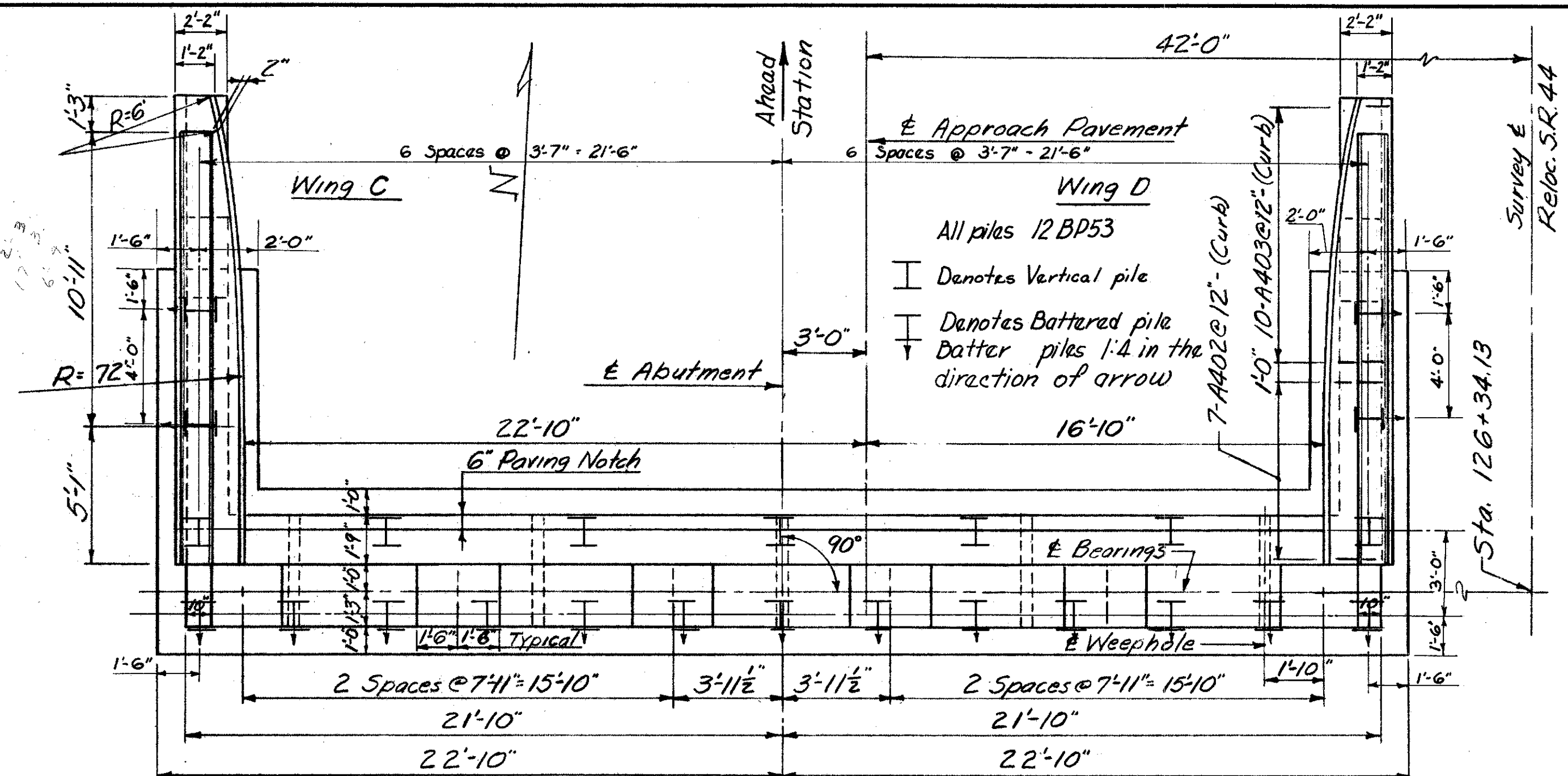


Guard rail end connection assembly shall be galvanized after welding. Assembly to be included in cost of Bridge Railing.



SEC. C-32 FED. AID PROJ. NO. ACI-1103 (21)

PREPARED BY  
CAPITOL ENGINEERING ASSOCIATES, DILLSBURG, PA.  
FOR

STATE OF OHIO  
DEPARTMENT OF HIGHWAYS

ABUTMENTS  
BRIDGE NO. LAK-1-1370  
S.R.1 UNDER RELOC. S.R. 44 (WEST BRIDGE)  
LAKE COUNTY  
STA. 370+01.86

DESIGNED	DRAWN	TRACED	CHECKED	REVISED	DATE	REVISED
J.R.O.	P.W.					