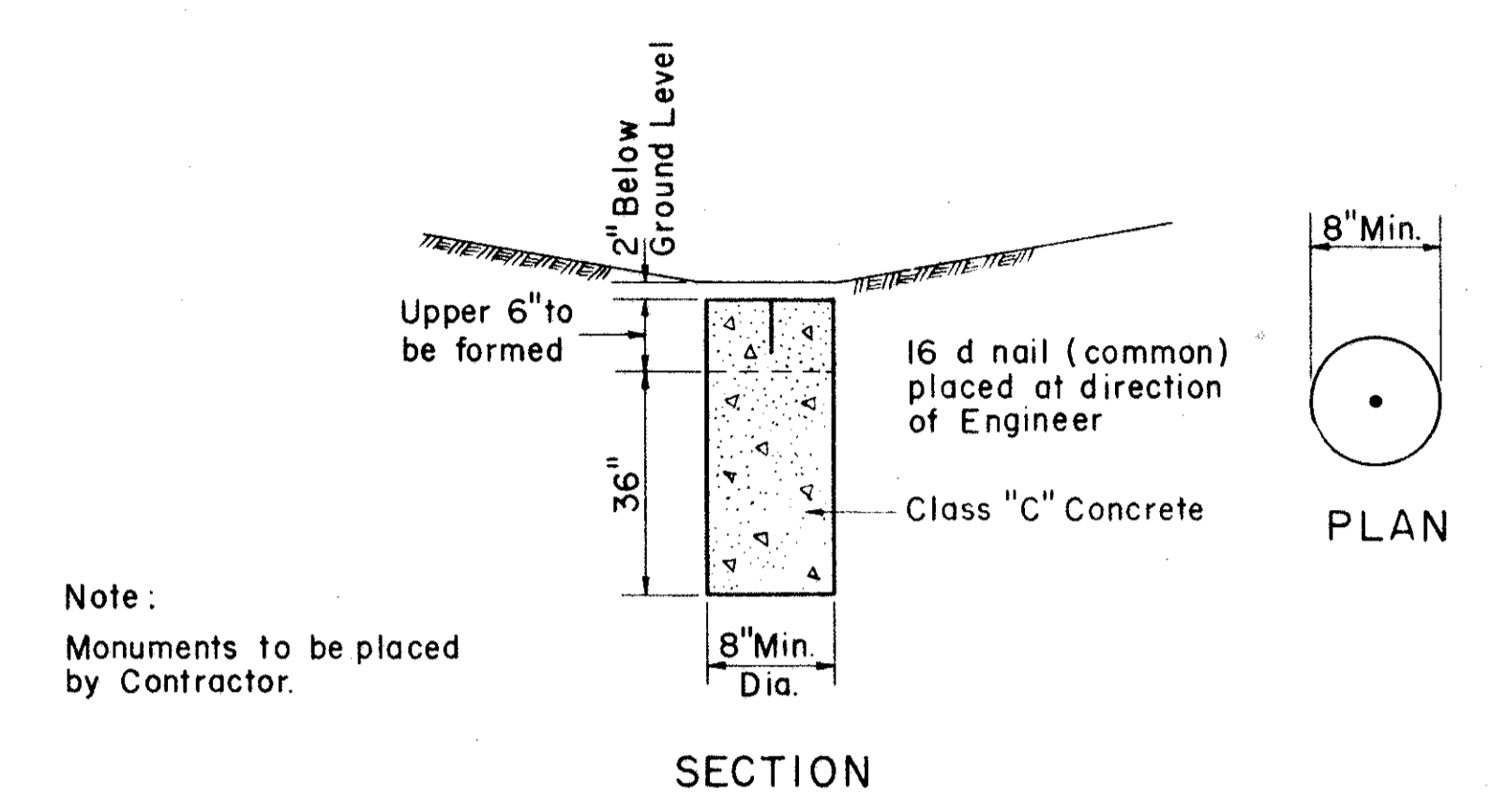


FED. RD. DIVISION	STATE	PROJECT	
2	OHIO	ACI-1103(21)	

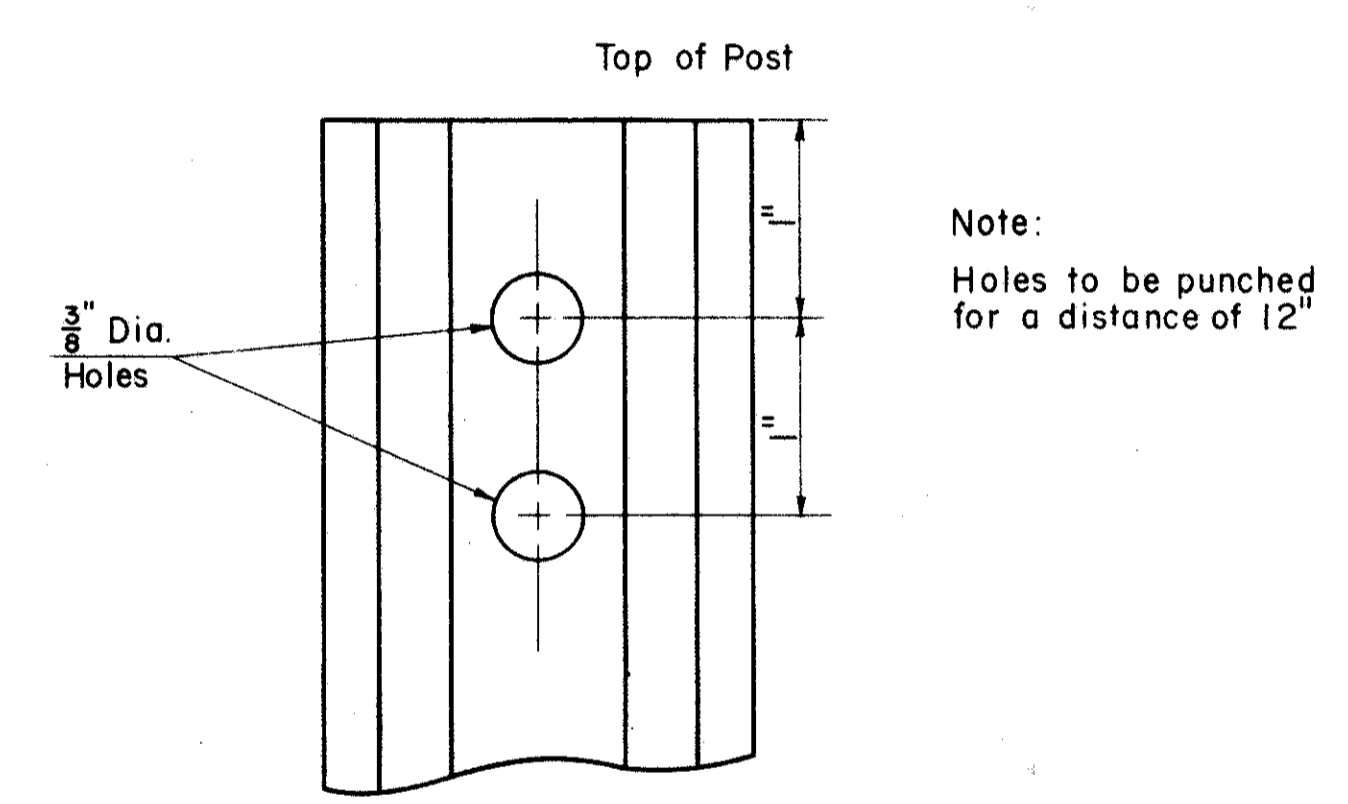
405
488

LAKE COUNTY
LAK-1-12.89

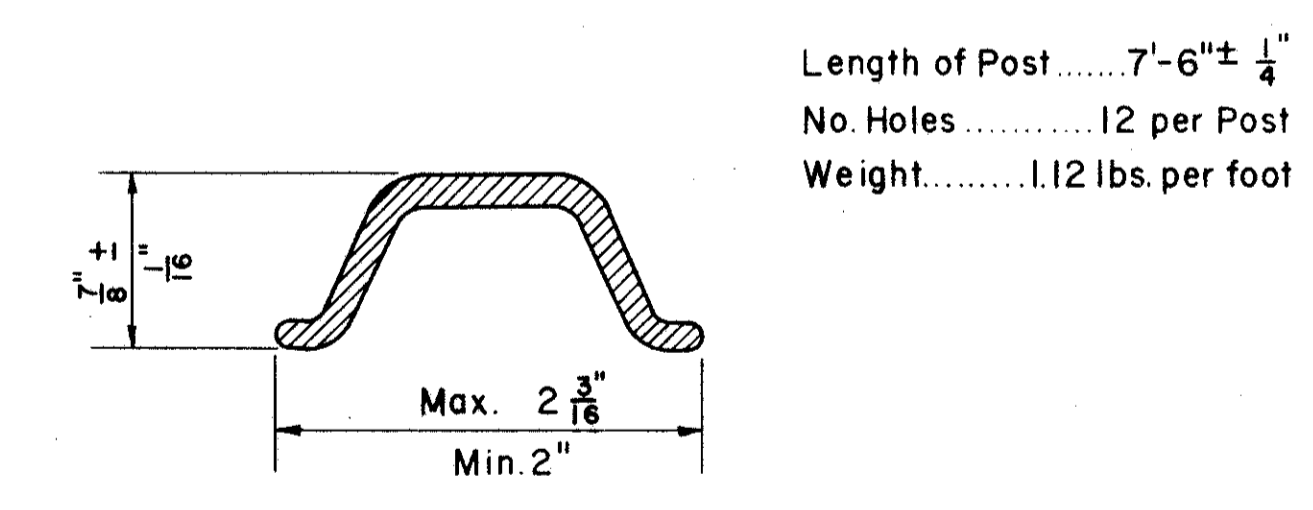


Note:
Monuments to be placed
by Contractor.

DETAIL OF CENTERLINE REFERENCE MONUMENTS



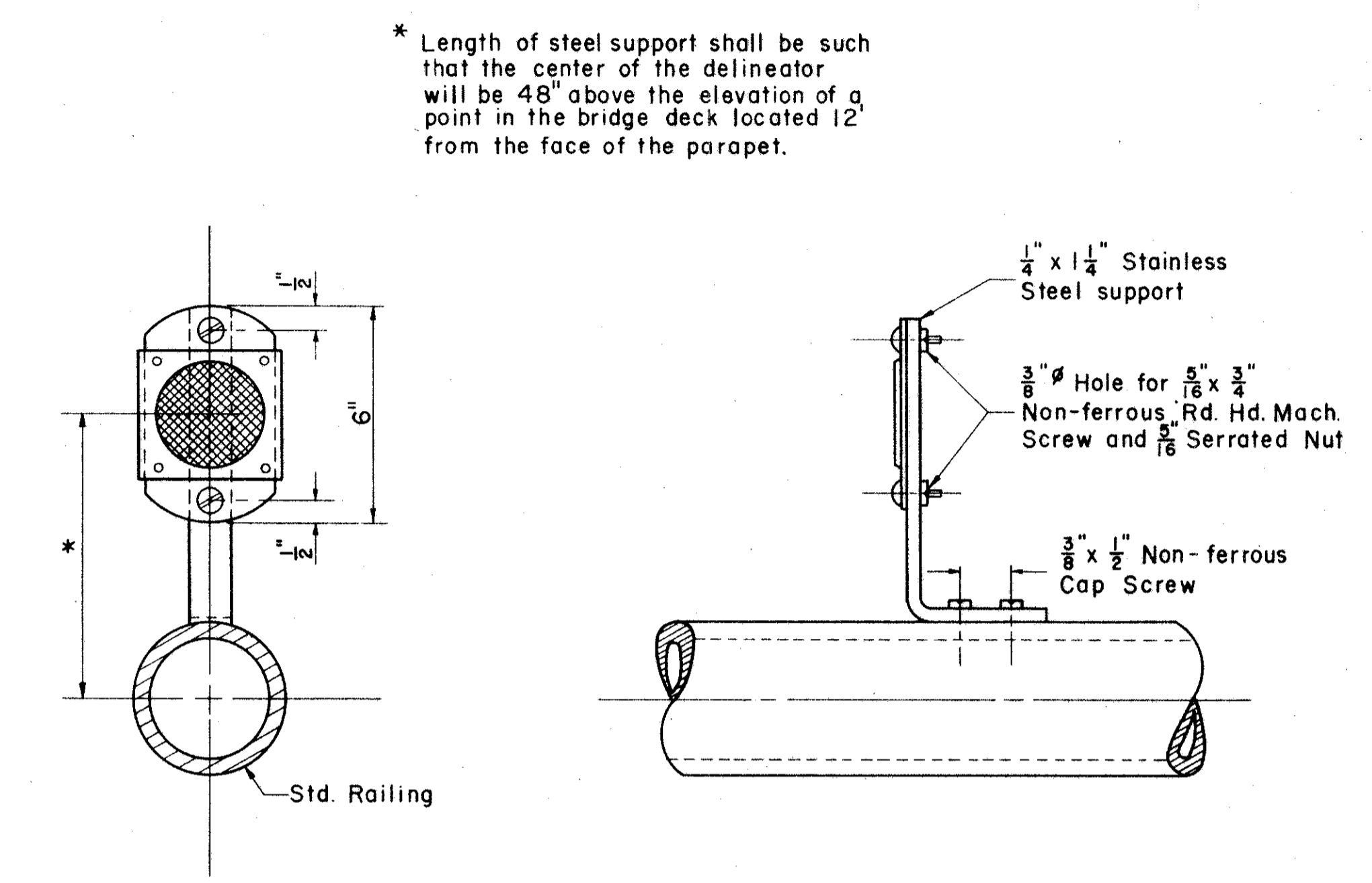
Note:
Holes to be punched
for a distance of 12"



SECTION VIEW

DETAIL OF STEEL DRIVE POST FOR DELINEATOR

Length of Post 7'-6" ± 1/4"
No. Holes 12 per Post
Weight 1.12 lbs. per foot



* Length of steel support shall be such that the center of the delineator will be 48" above the elevation of a point in the bridge deck located 12' from the face of the parapet.

DELINEATOR AND BRIDGE RAIL BRACKET