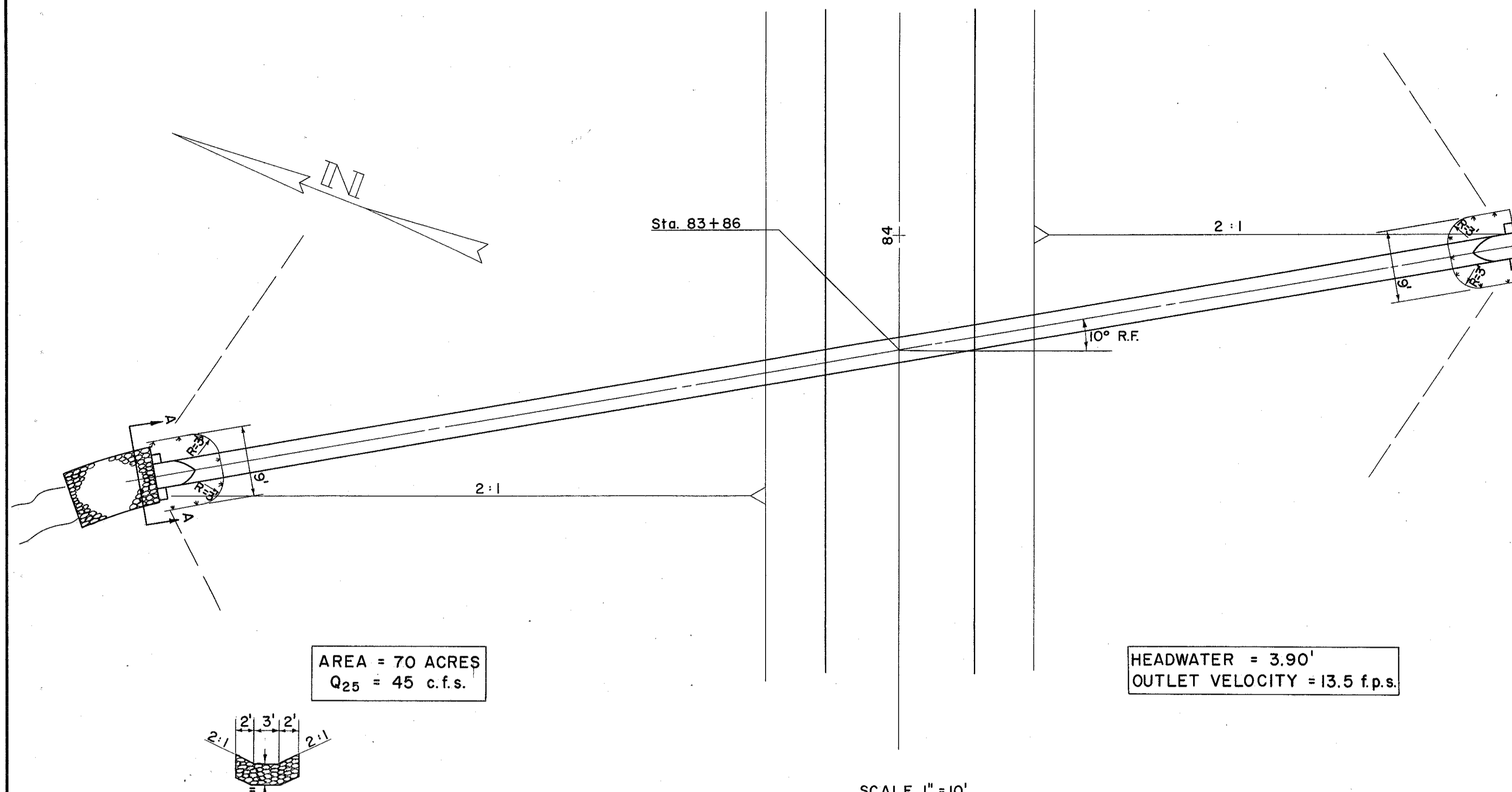
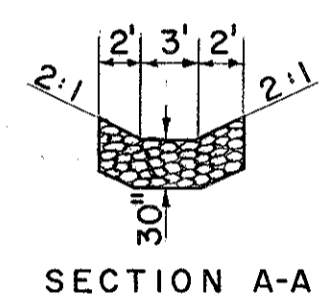


LAKE COUNTY
LAK-1-12.89

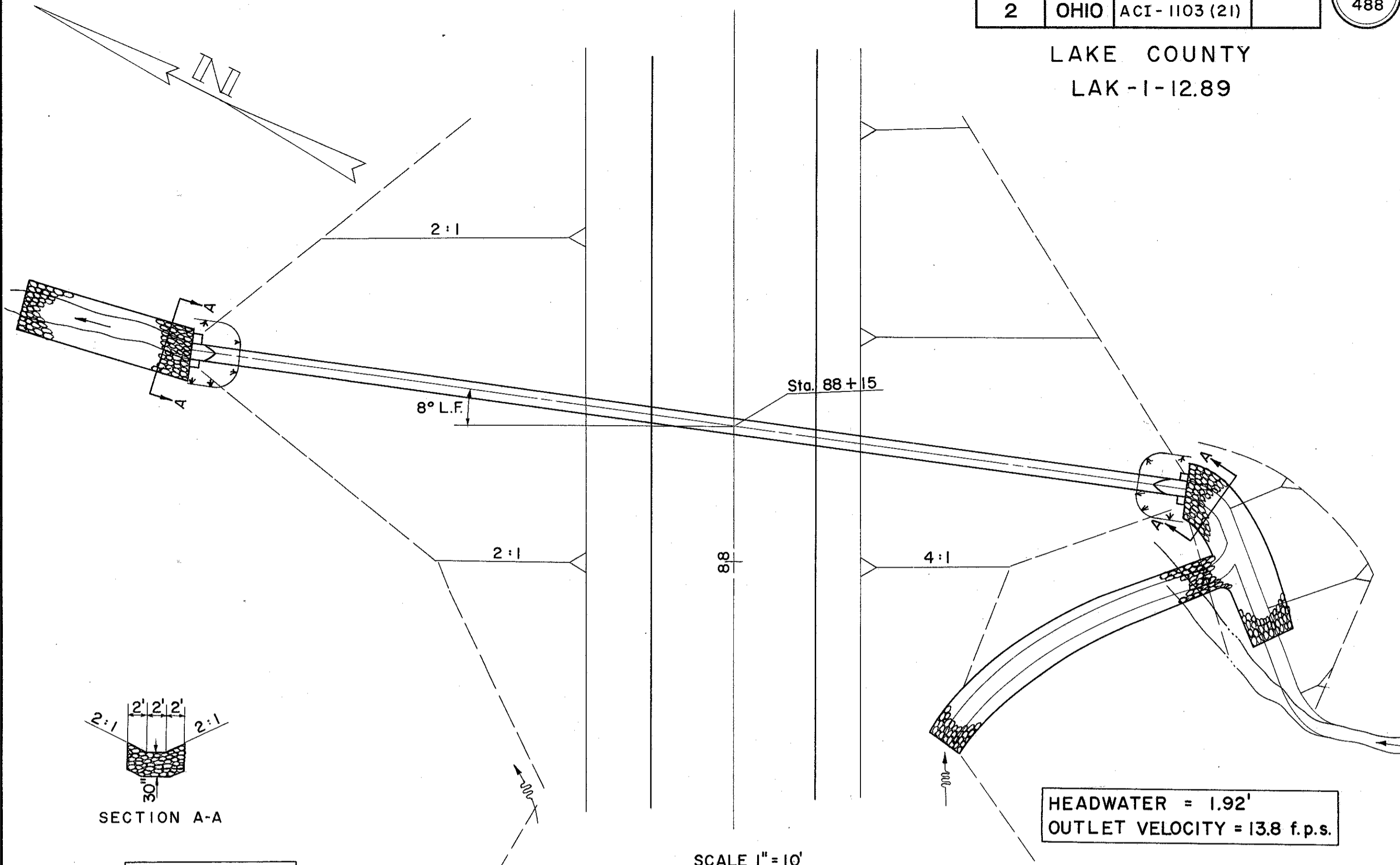


AREA = 70 ACRES
Q₂₅ = 45 c.f.s.

HEADWATER = 3.90'
OUTLET VELOCITY = 13.5 f.p.s.



SCALE 1" = 10'

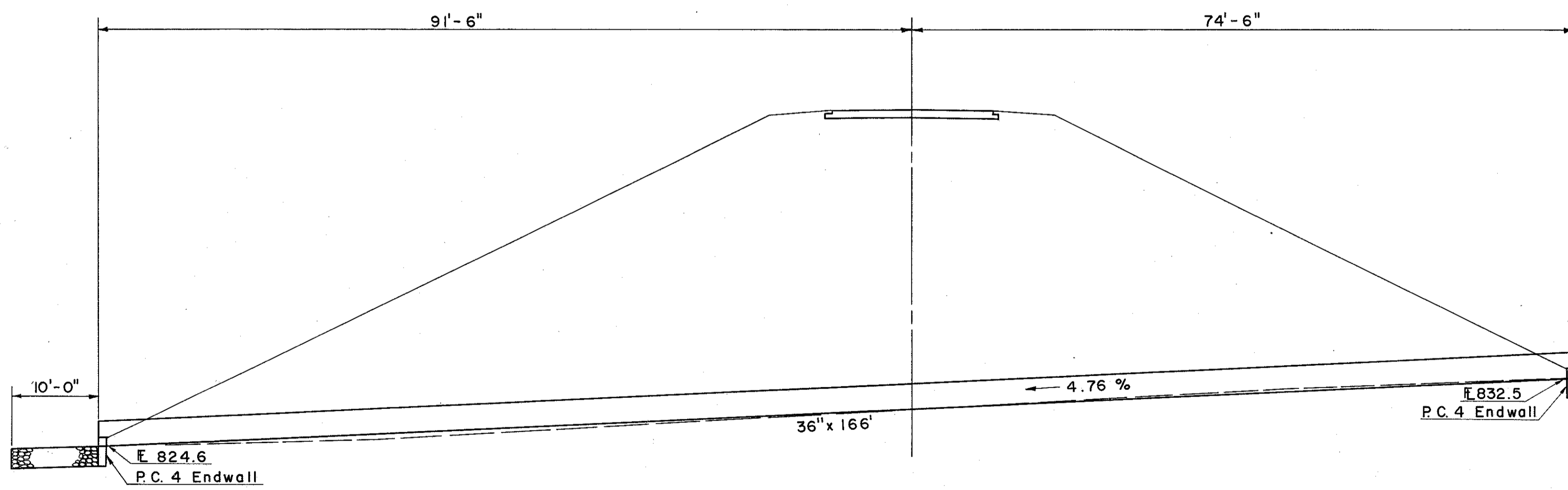


HEADWATER = 1.92'
OUTLET VELOCITY = 13.8 f.p.s.

AREA = 10 ACRES
Q₂₅ = 12 c.f.s.



SCALE 1" = 10'

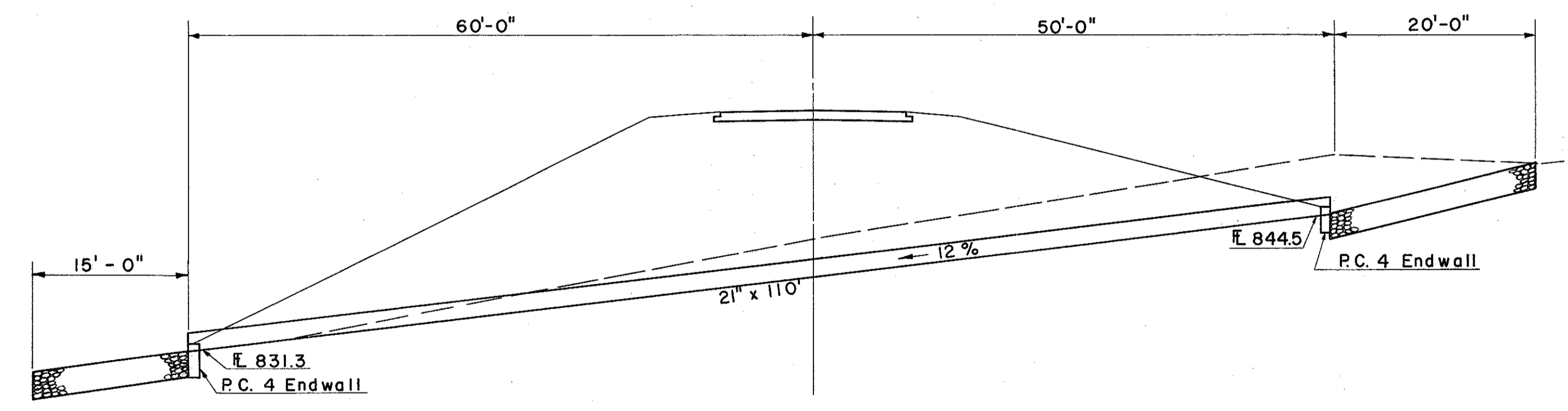


ESTIMATED QUANTITIES

E-2	Excavation For Structures	17	C.Y.
L-10	Sodding	12	S.Y.
S-1	Concrete For Structures Class "E"	1.18	C.Y.
S-27	36" Pipe For Roadway Culvert Sec. M-6.4 (d) 10 Ga.	166	L.F.
I-10	Dumped Rock Channel Protection	7	C.Y.

CULVERT DATA

TYPE: Pipe Culvert S-27 P.C. 4 Endwalls
 SIZE: 36" x 166'
 WORK REQUIRED: Build Pipe Culvert with Std. P.C. 4 Endwalls, Sodding Lt. & Rt. as Shown. Dumped Rock Outlet.



ESTIMATED QUANTITIES

E-2	Excavation for Structures	180	C.Y.
E-3	Channel Excavation	30	C.Y.
L-10	Sodding	8	S.Y.
S-1	Concrete For Structures Class "E"	0.72	C.Y.
S-27	21" Pipe For Roadway Culverts Sec. M-6.4 (d)	110	L.F.
I-10	Dumped Rock Channel Protection	20	C.Y.

CULVERT DATA

TYPE: Pipe Culvert S-27 P.C. 4 Endwalls
 SIZE: 21" x 110'
 WORK REQUIRED: Build Pipe Culvert with Std. P.C. 4 Endwalls Excavate Inlet Channel as Required. Place Dumped Rock and Sodding as Shown.