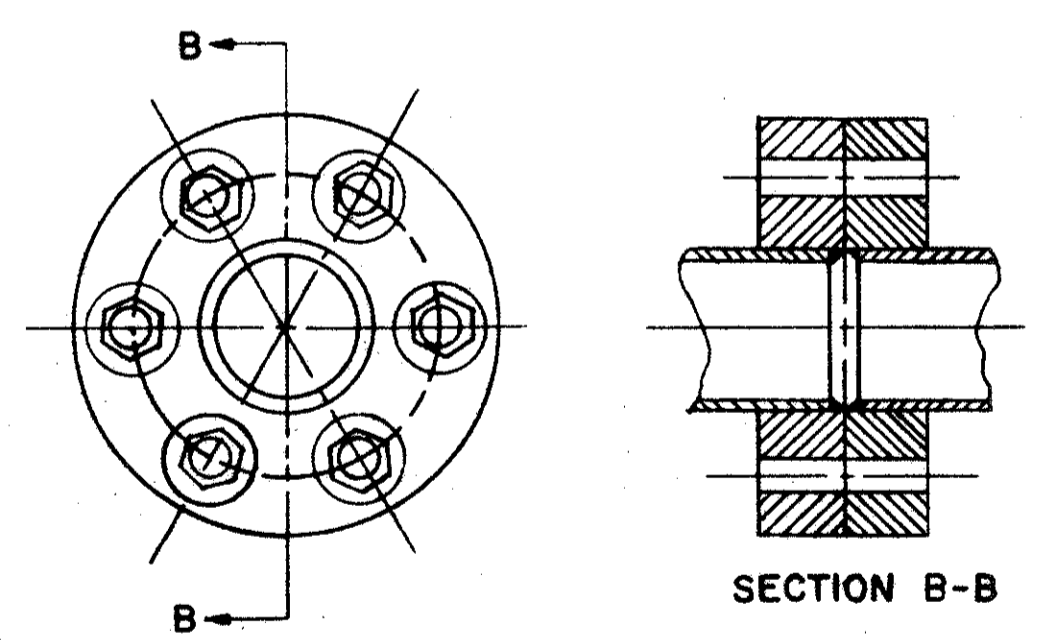
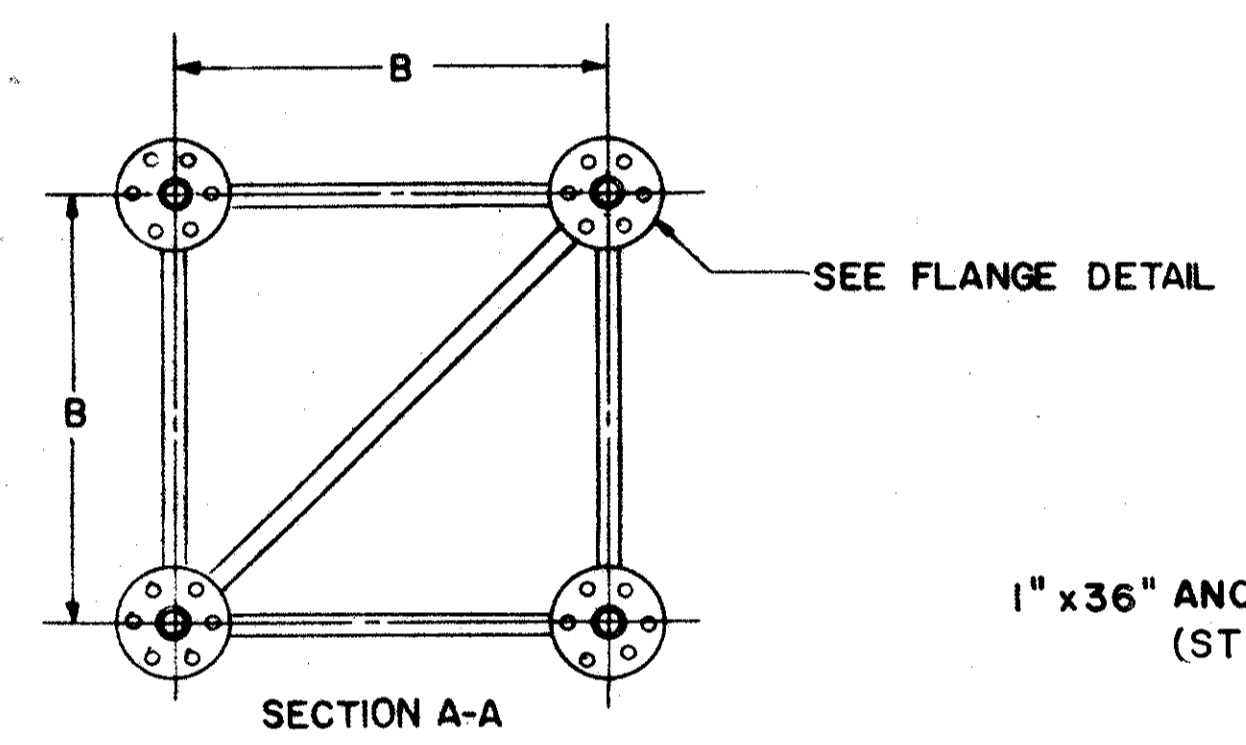
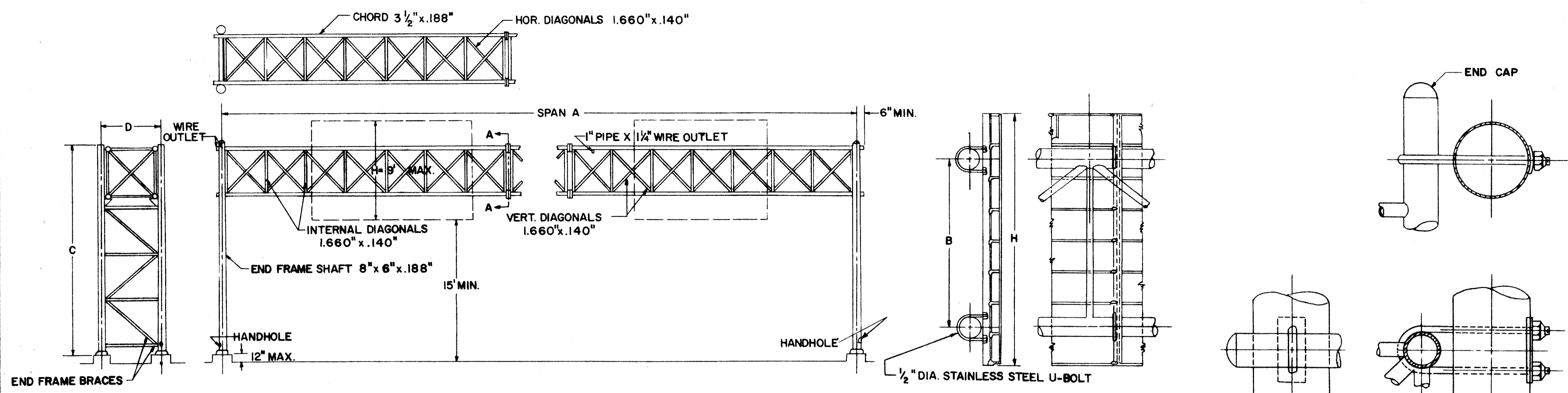


LAKE COUNTY
ASHTABULA COUNTY
LAK.-1-12.89
ATB.-1-0.00

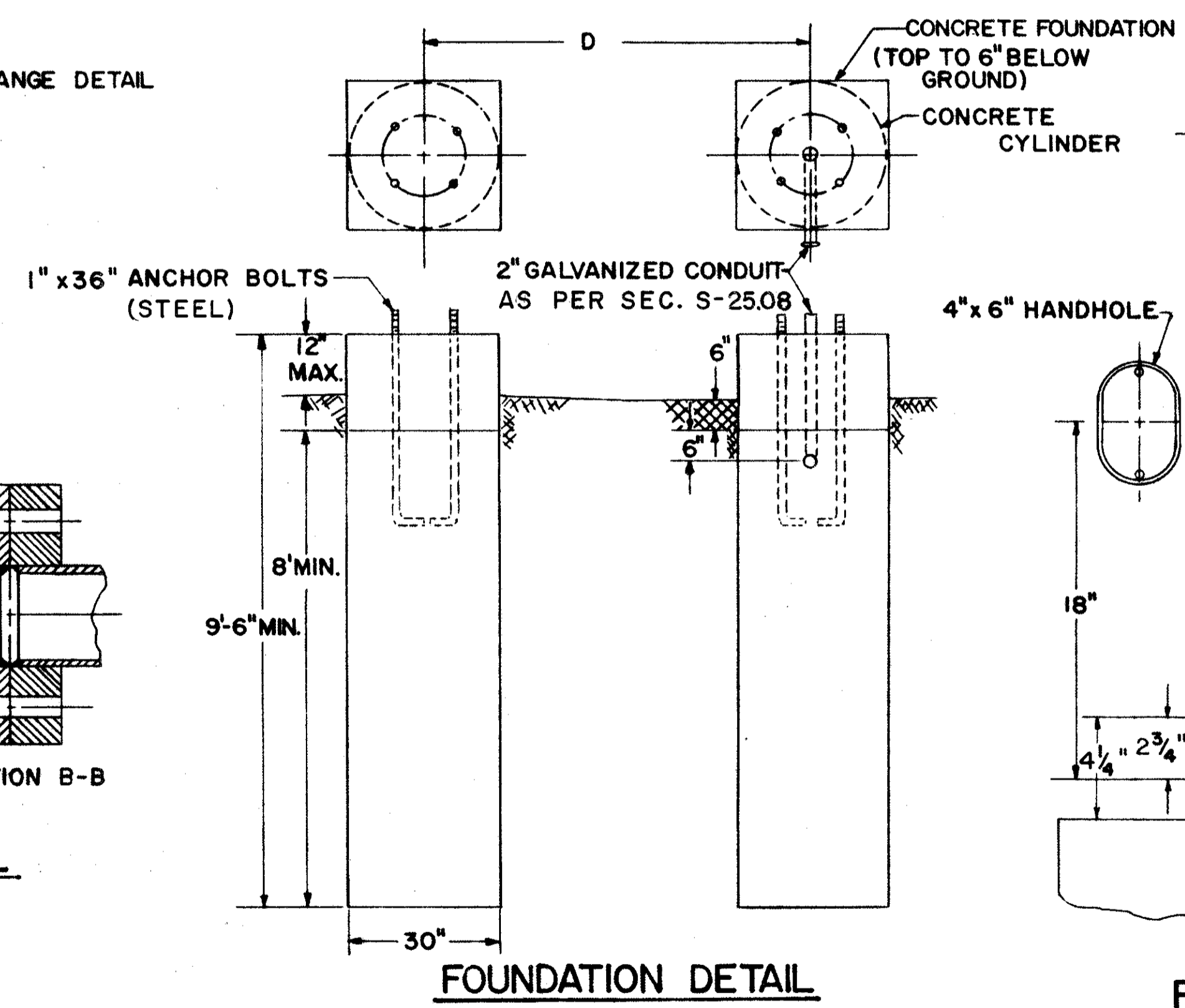
NOTES

FABRICATION:
ALUMINUM TUBING CONFORMING TO A.S.T.M. DESIGNATION B235, ALLOY GS 10A-T6 (6063-T6) MAY BE USED FOR VERTICAL END FRAME SHAFTS.
SPAN SECTIONS ARE REQUIRED AS FOLLOWS:
2 FOR 50' TO 60' SPAN
3 FOR 65' TO 90' SPAN
4 FOR 95' & 100' SPAN

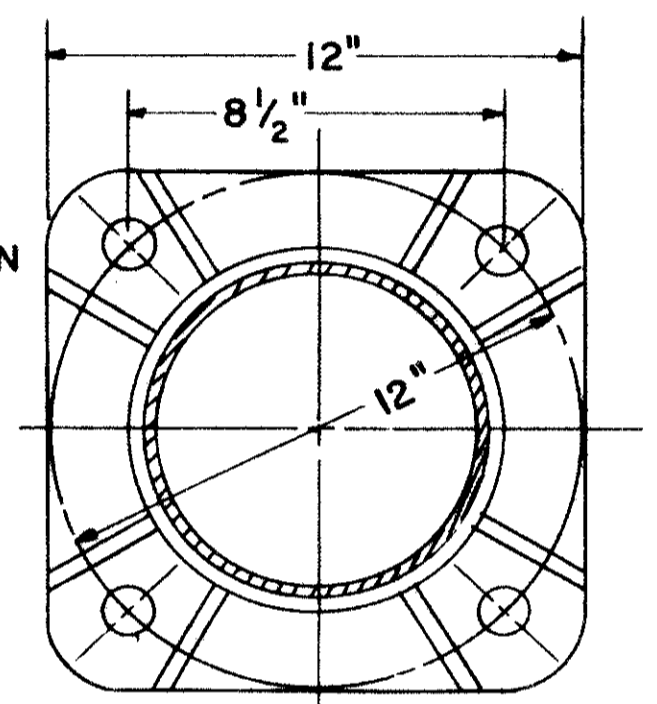
ERECTION:
USE A MIN. OF 1" CAMBER IN THE CROSS-MEMBER FOR A 50' SPAN AND ADD 1/4" OF CAMBER FOR EACH 5' INCREASE IN SPAN OVER 50'. THE GALVANIZED CONDUIT SHALL BE INCLUDED IN THE UNIT PRICE BID FOR OVERHEAD SIGN SUPPORTS FOR PAYMENT.



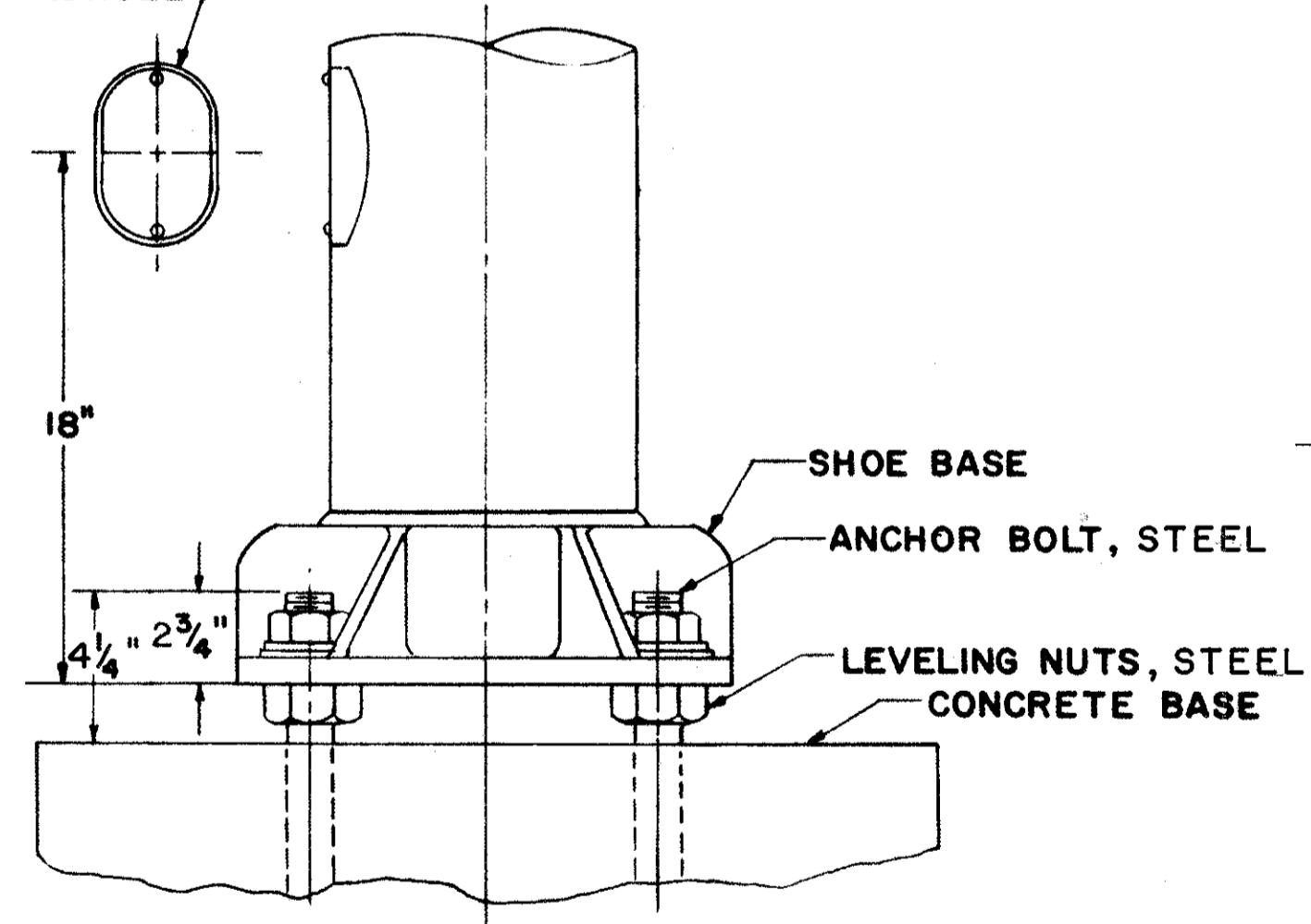
FLANGE DETAIL



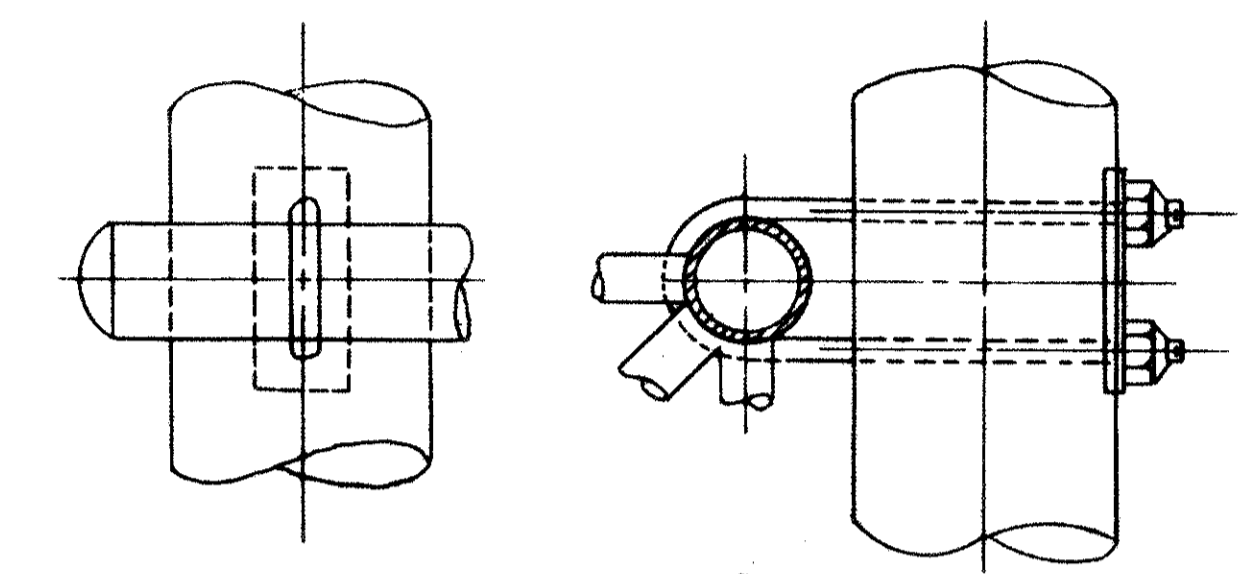
FOUNDATION DETAIL



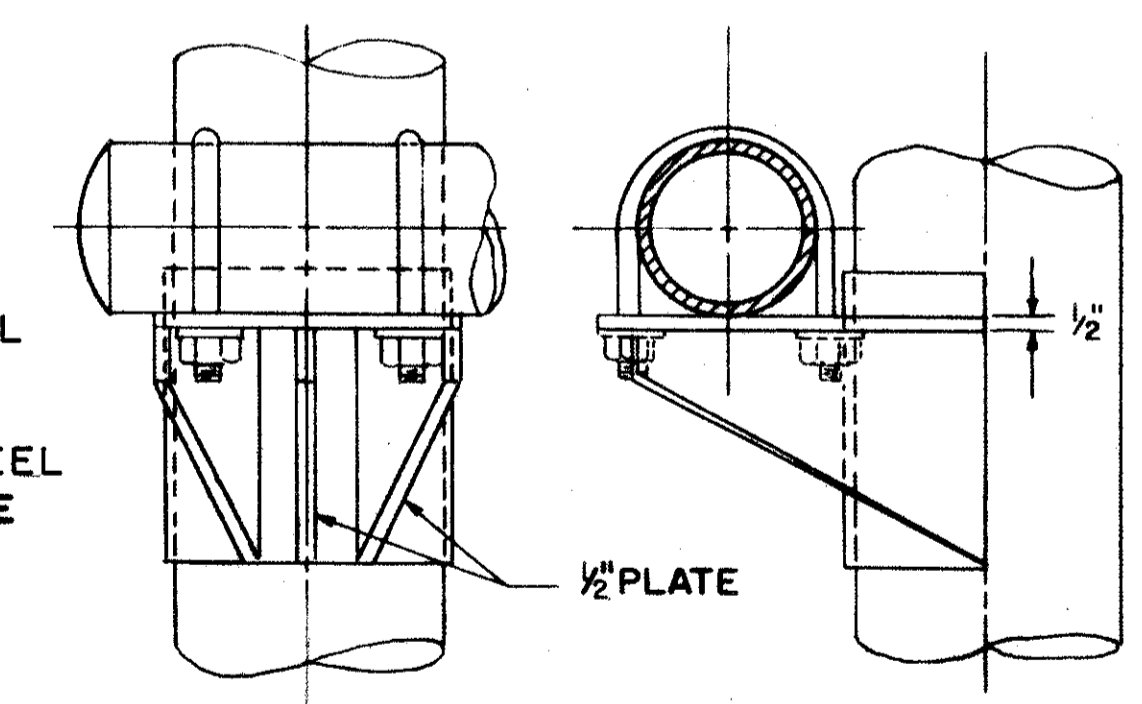
POLE BASE DETAIL



LOWER CLAMP



UPPER CLAMP



DESIGN NO.	SPAN	B	C	D	END FRAME BRACES
1	50' thru 60'	1'-6"	19'-9"	2'-6"	1.660 x .140"
2	65' thru 75'	2'-6"	20'-6"	3'-6"	1.900" x .145"
3	80' thru 100'	3'-0"	20'-6"	4'-0"	2" x .188"