

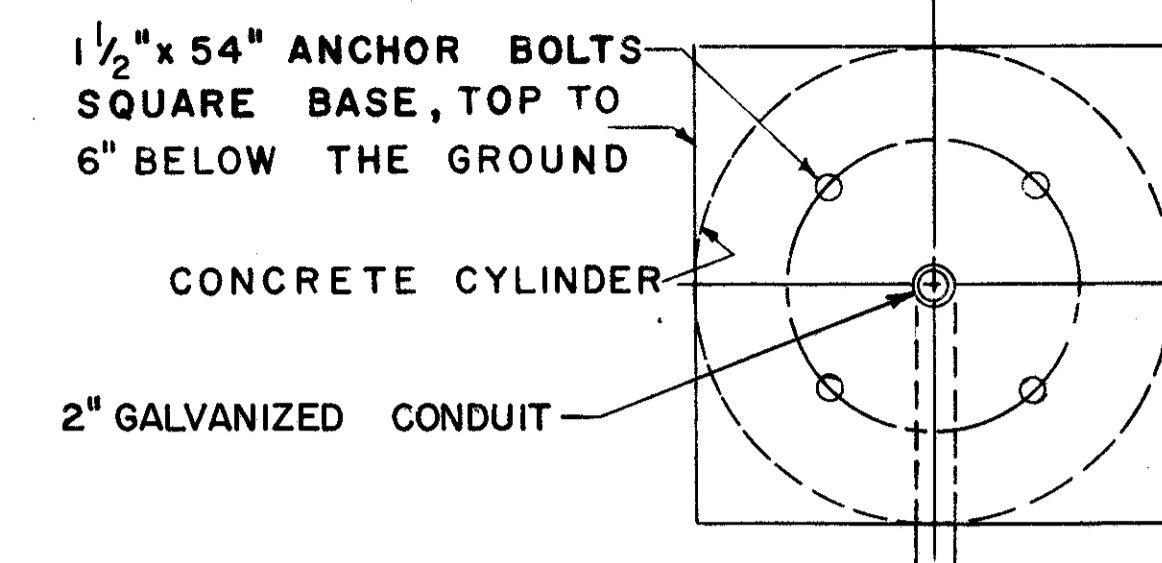
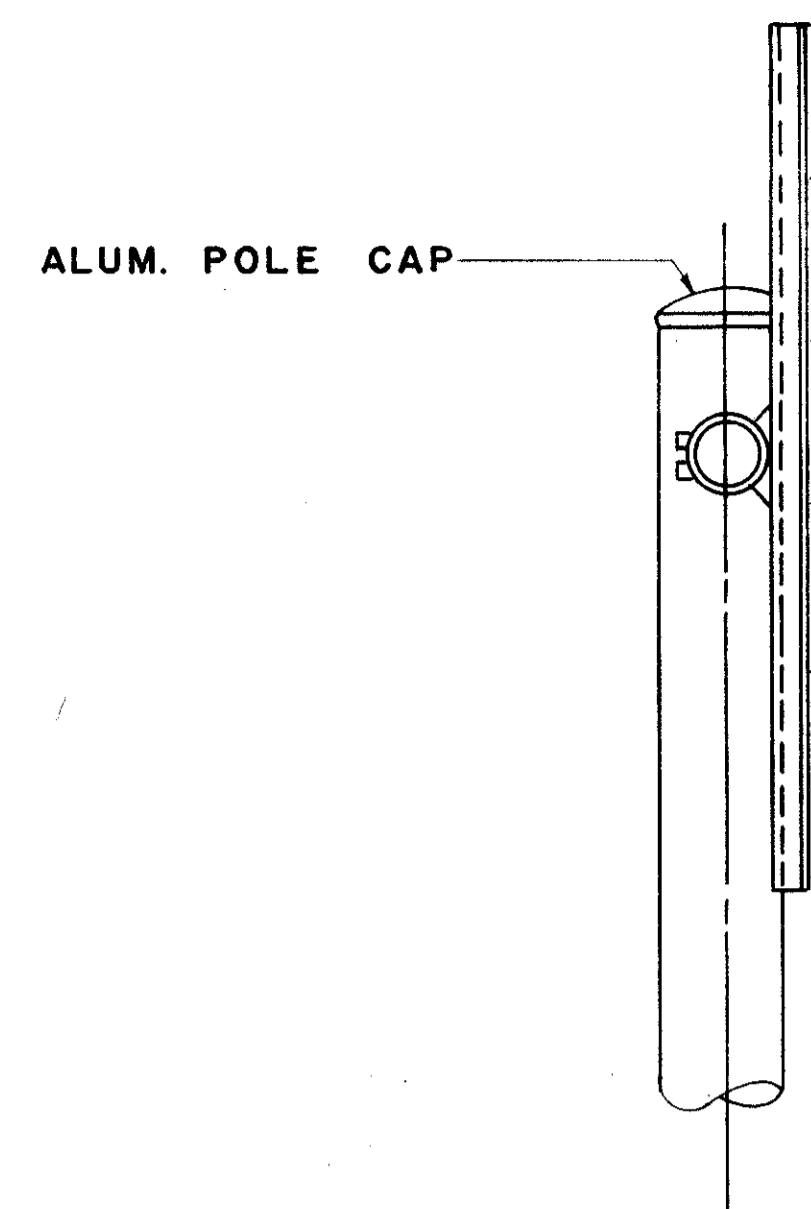
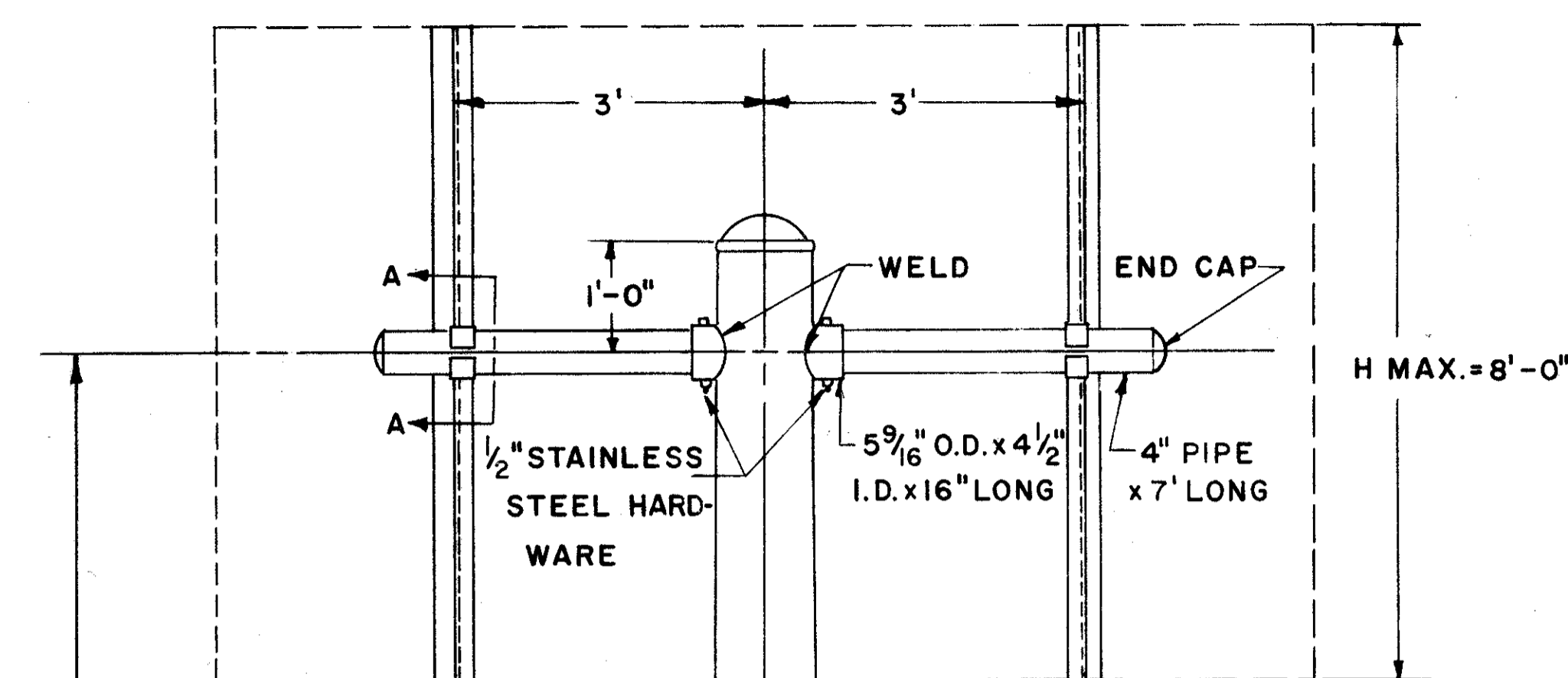
FED. RD. DIVISION	STATE	PROJECT	
2	OHIO		

77  
81

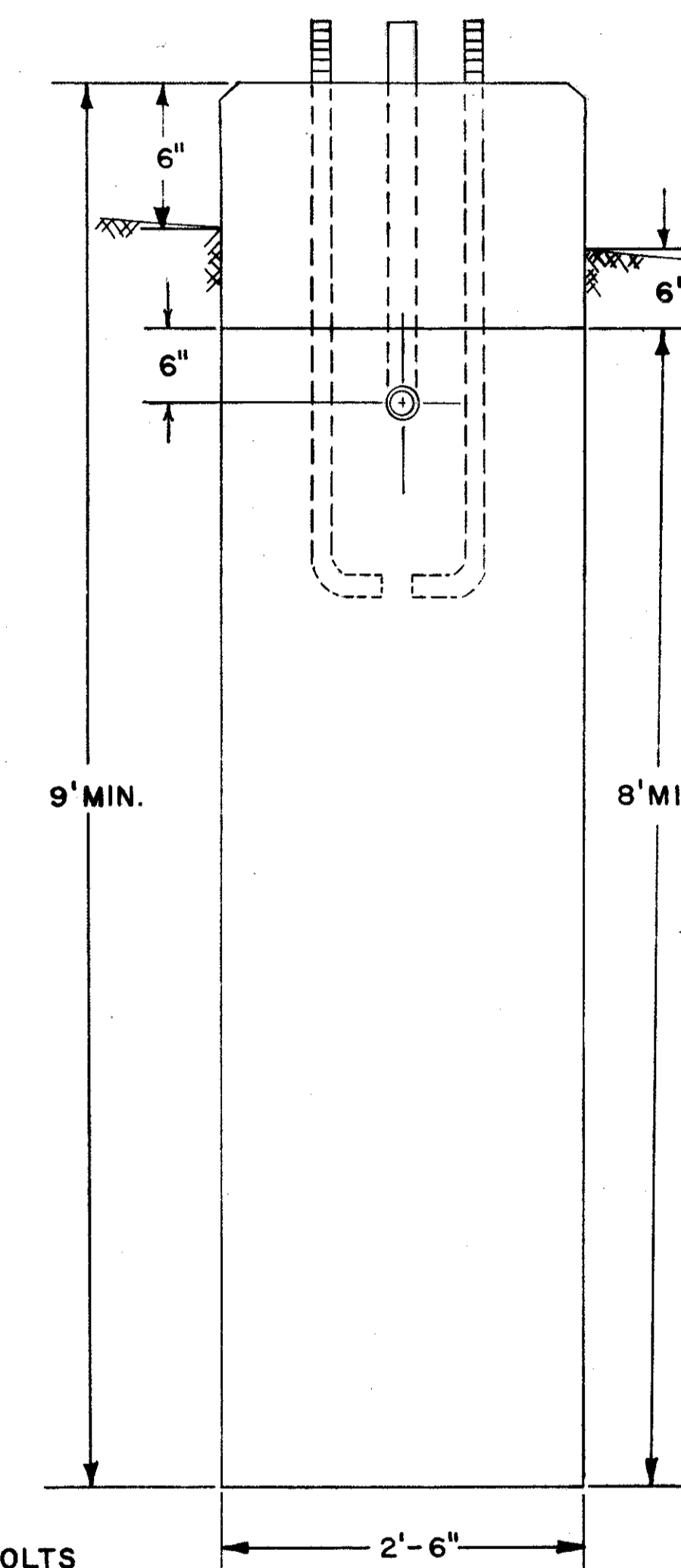
LAKE COUNTY  
ASHTABULA COUNTY  
LAK.-1-12.89  
ATB.-1-0.00

**NOTES**

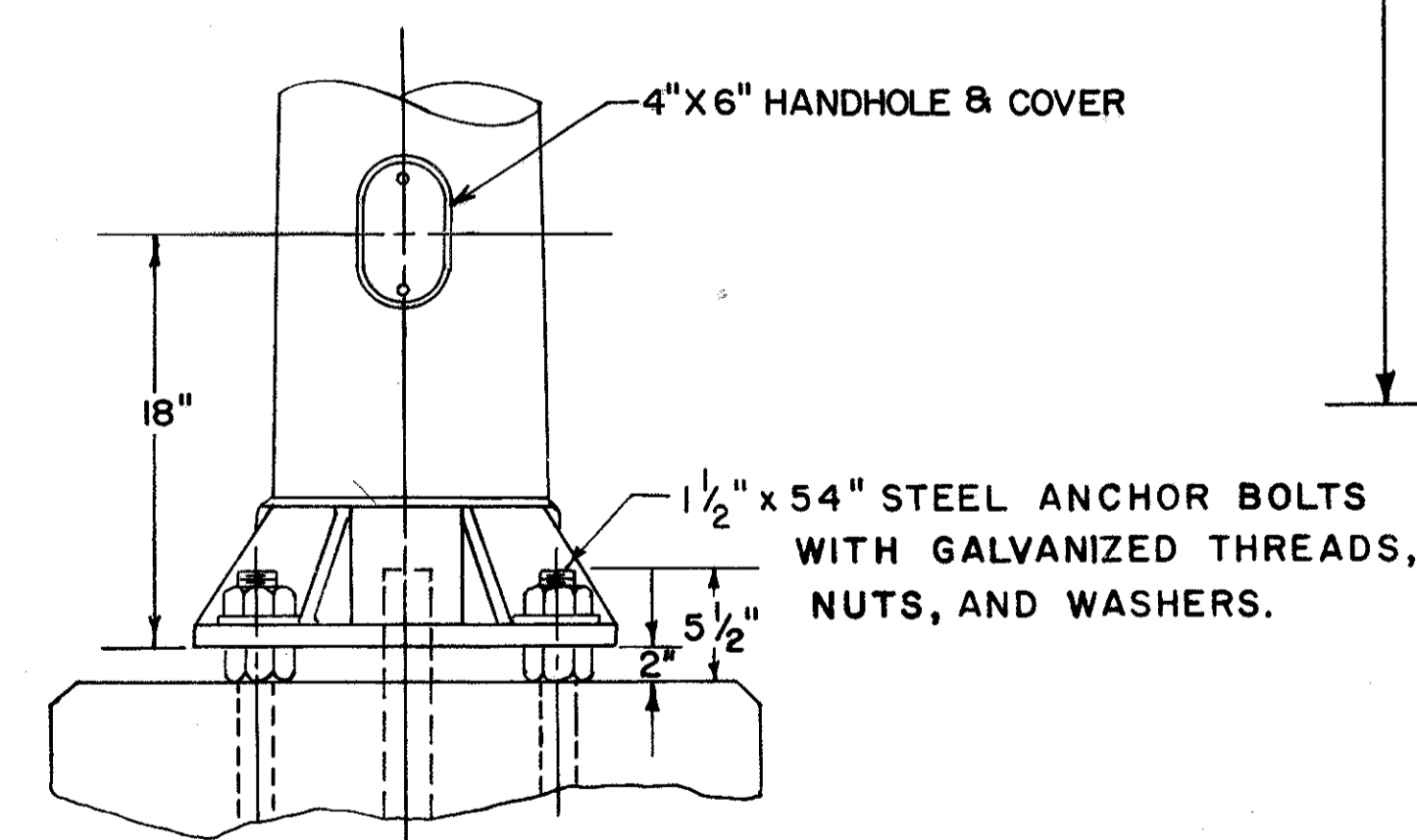
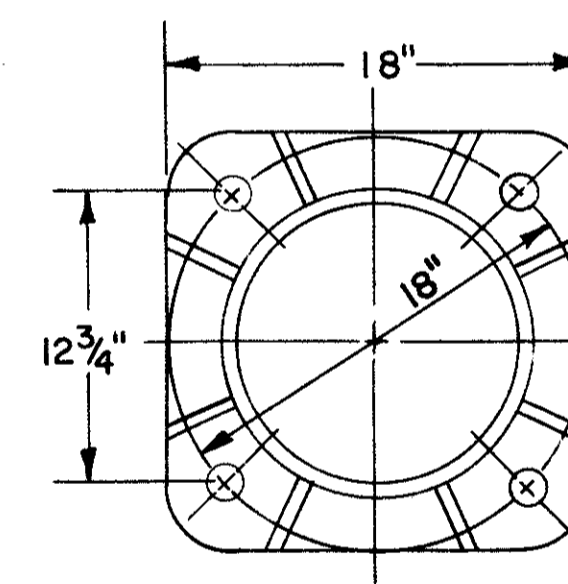
FABRICATION:  
ALUMINUM TUBING CONFORMING TO A.S.T.M. DESIGNATION B 235, ALLOY GS10A-T6(6063-T6) MAY BE USED FOR VERTICAL END POLE. THE GALVANIZED CONDUIT SHALL CONFORM TO SEC. S-25.08 AND SHALL BE INCLUDED IN THE UNIT PRICE BID FOR OVERHEAD SIGN SUPPORTS FOR PAYMENT.



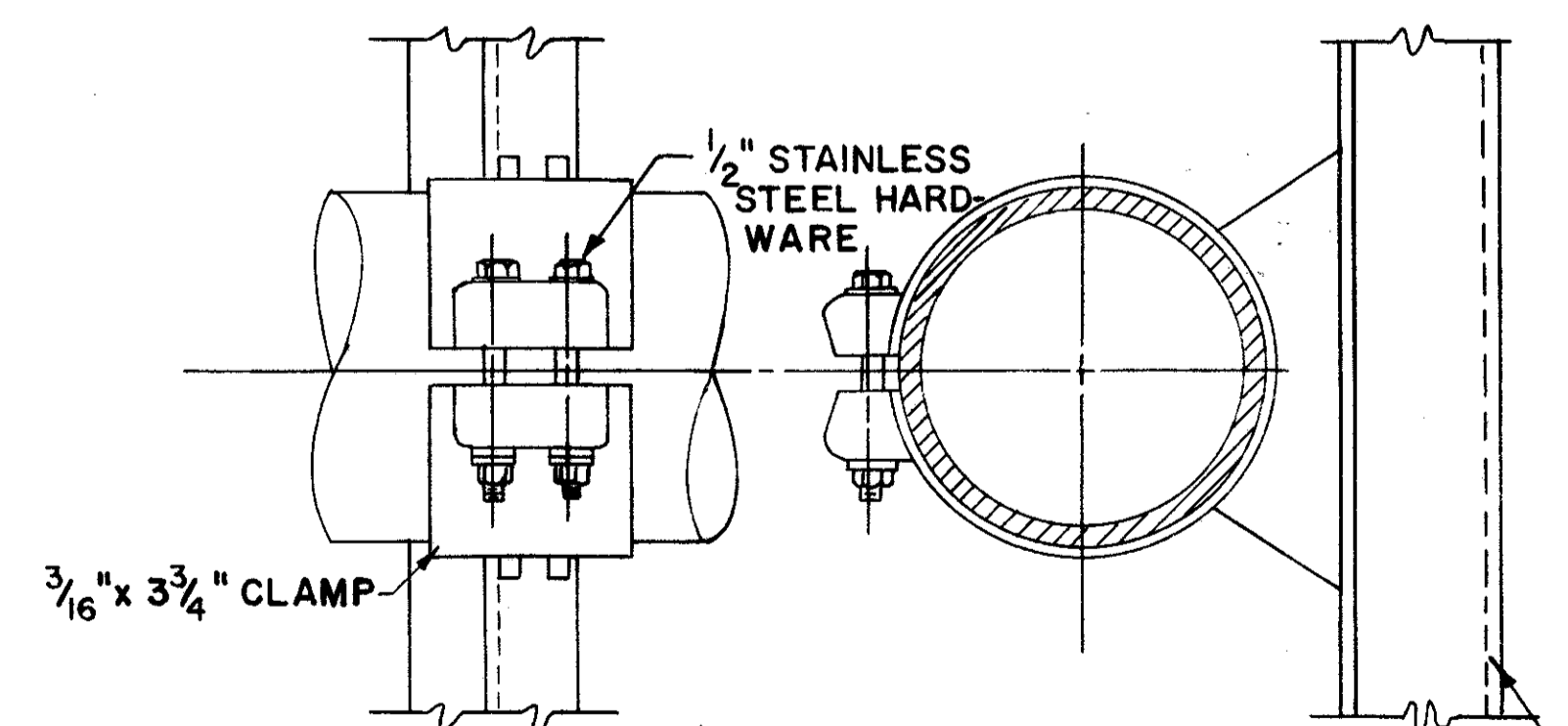
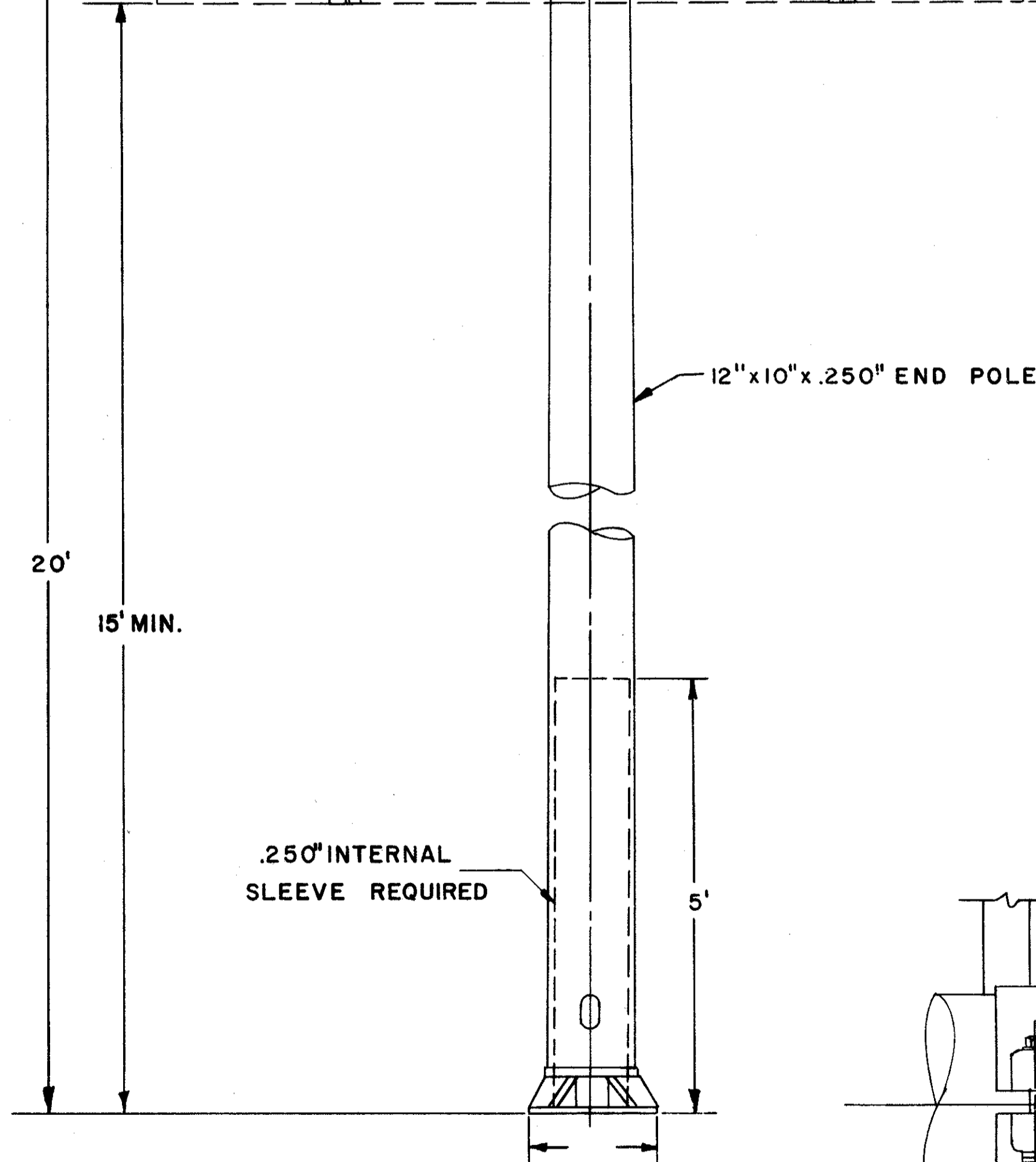
**SIGN ATTACHMENT DETAIL**



**FOUNDATION DETAIL**



**POLE BASE DETAIL**



3" ZEE 2.33 LBS, H' LONG

SECTION A-A

(60 SQ. FT. SIGN AREA)