

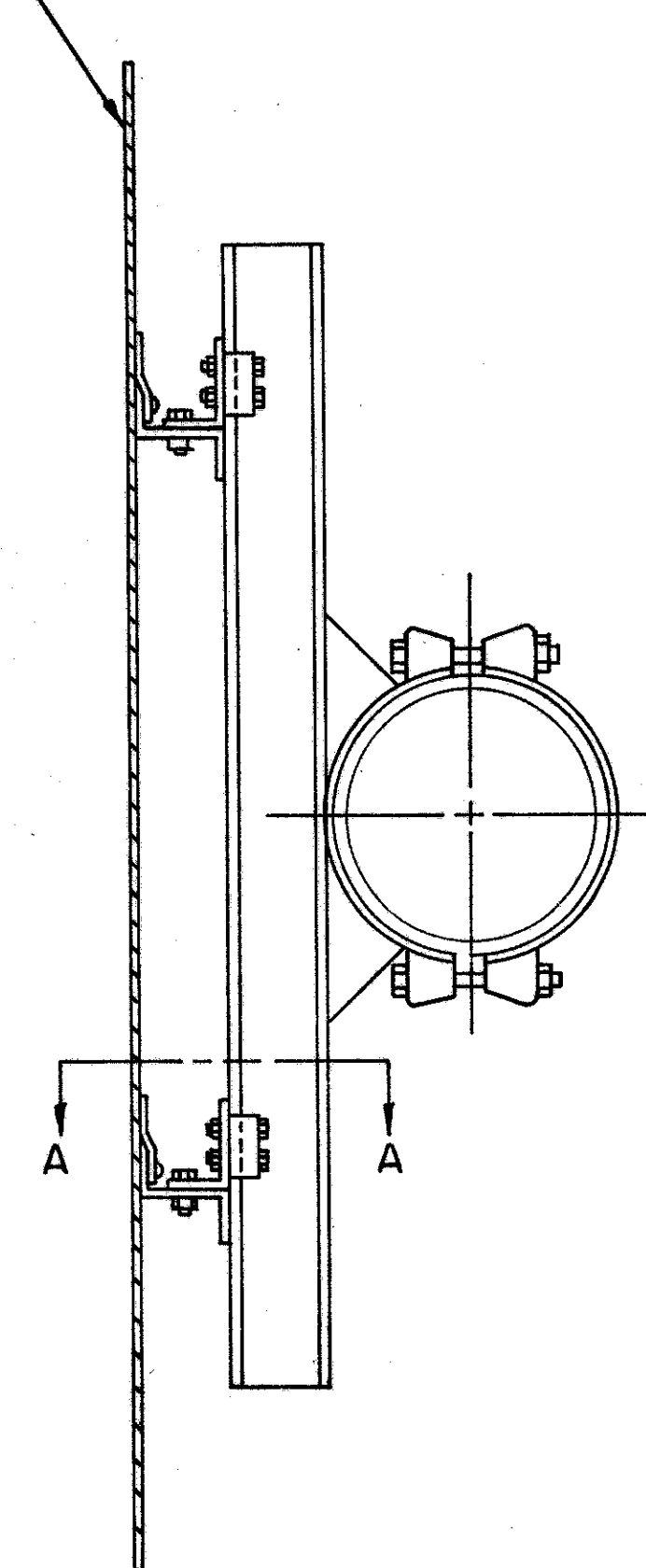
LAKE COUNTY
ASHTABULA COUNTY
LAK-1-12.89
ATB-1-0.00

NOTES

GENERAL:
FOR DETAIL OF OVERHEAD SIGN SUPPORTS SEE SHEETS 77-81.

ERECTION:
REFER TO OVERHEAD SIGN ERECTION DETAIL SHEET FOR THE LOCATION AND NUMBER OF SIGN MOUNTING BRACKETS REQUIRED

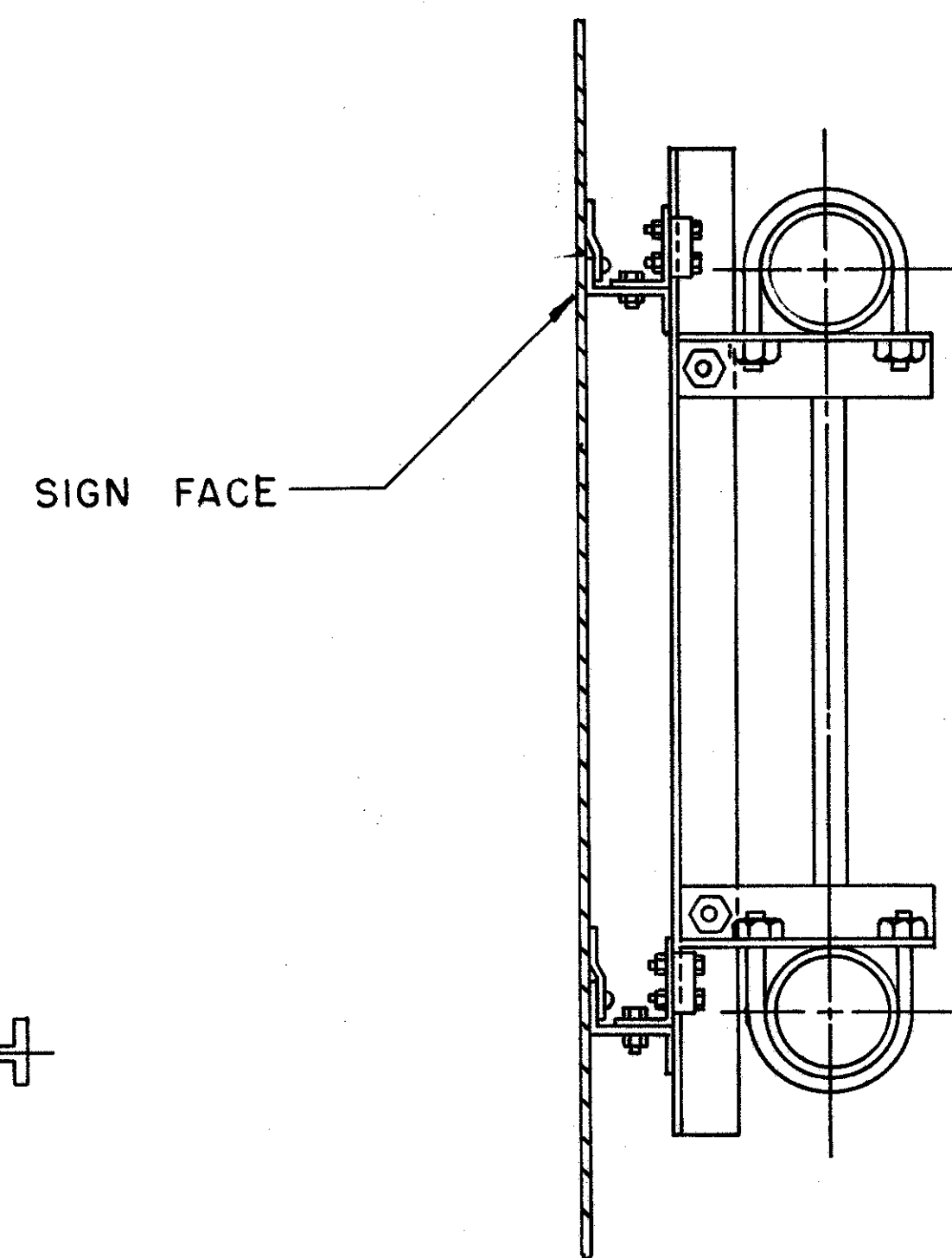
SIGN FACE



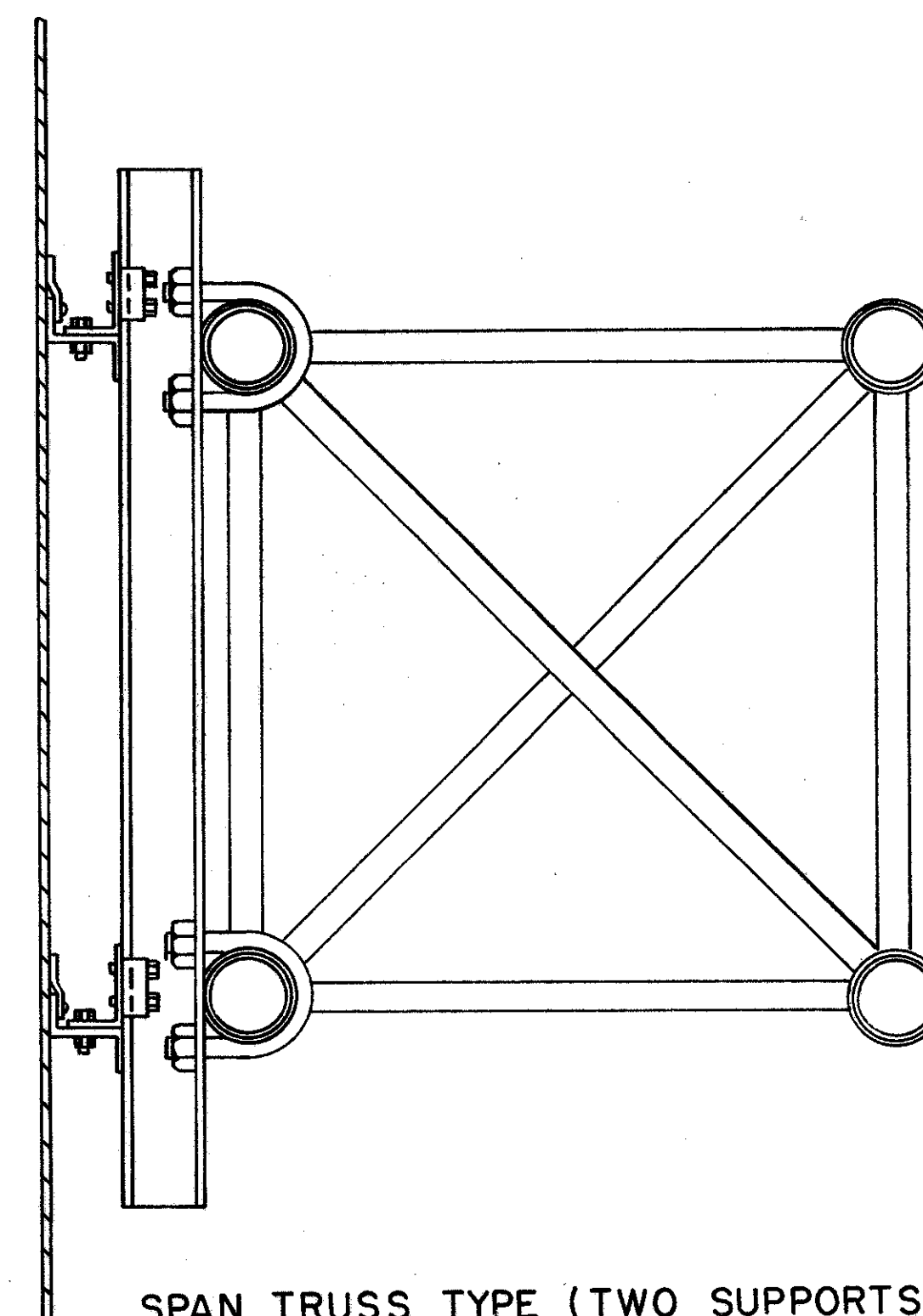
SECTION A-A

SINGLE BEAM OR ARM TYPE

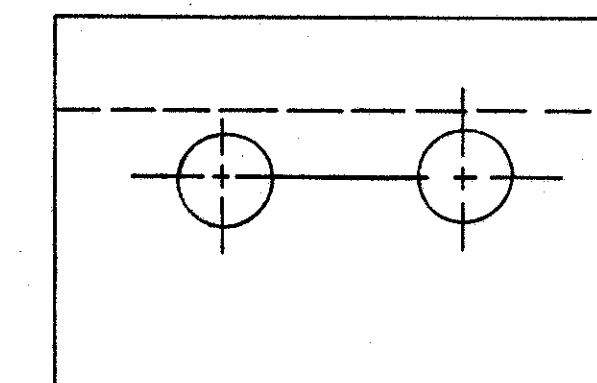
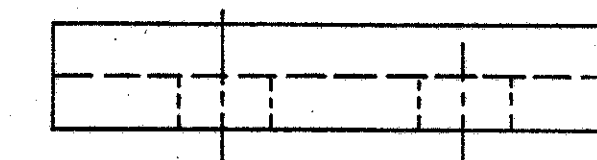
SIGN FACE



DOUBLE ARM TYPE

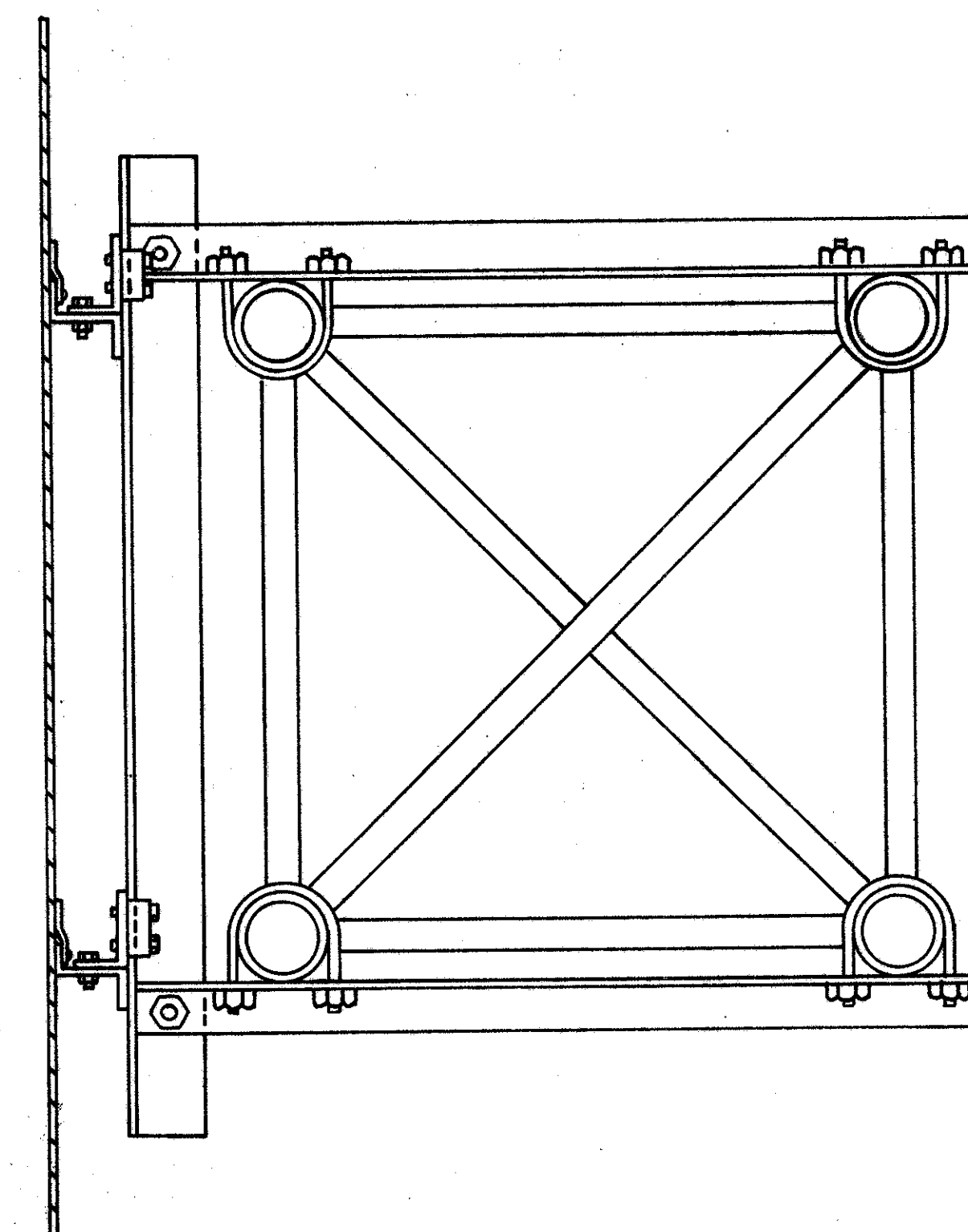


SPAN TRUSS TYPE (TWO SUPPORTS)



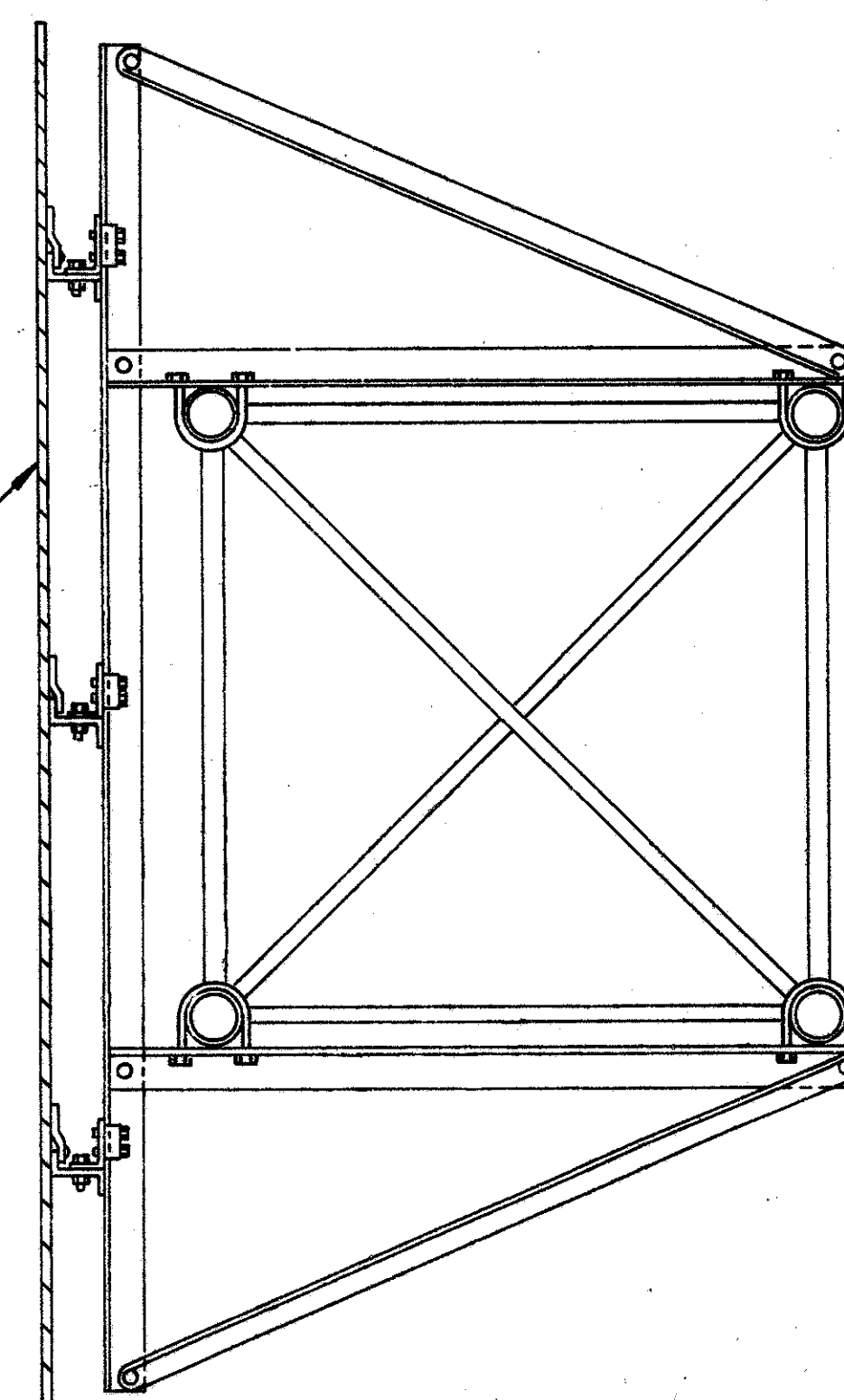
POST CLAMP FASTENER

OVERHEAD SIGN STRINGER SIZES								
MAX. SIGN L'GTH	2 STRINGERS			3 STRINGERS				
	SIGN HEIGHT			SIGN HEIGHT				
	3'	4'	5'	6'	7'	8'	9'	
19'								
20'	TYPE "A"							
21'				TYPE "A"				
22'								
23'								
24'	TYPE "B"							
25'								



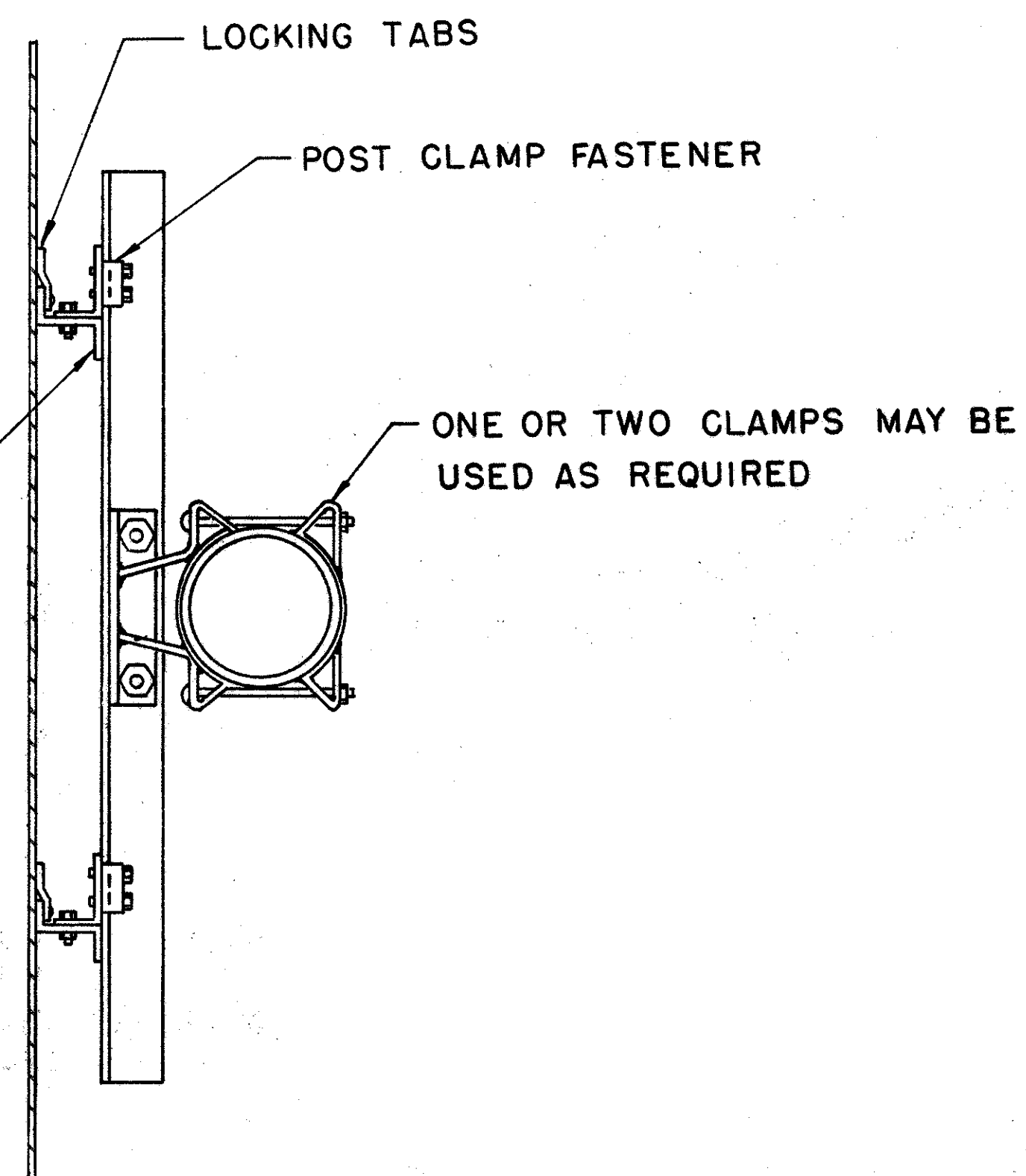
SINGLE CANTILEVER TRUSS TYPE

SIGN FACE



DOUBLE CANTILEVER TYPE

ALUMINUM "Z" STRINGERS



CANTILEVER AND BEAM TYPE