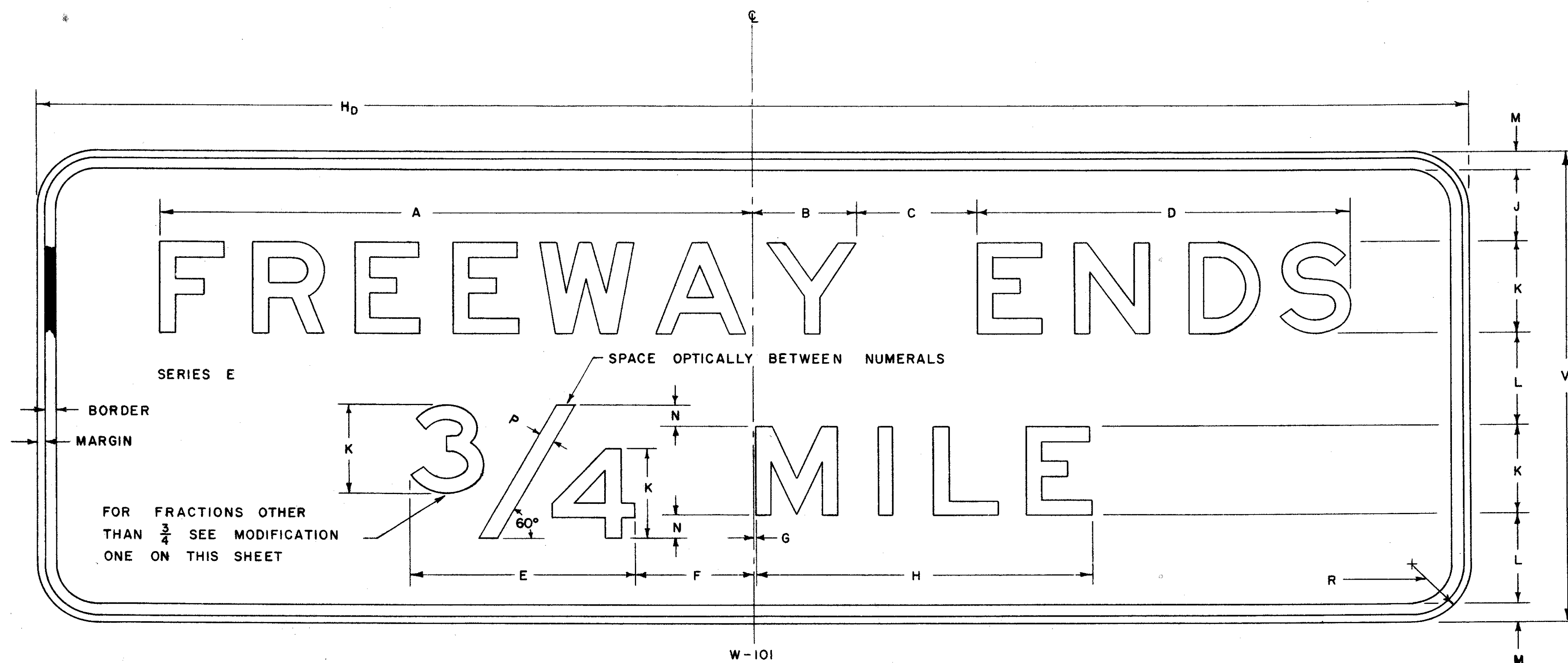


LAKE COUNTY  
ASHTABULA COUNTY  
LAK.-I-12.89  
ATB.-I-0.00



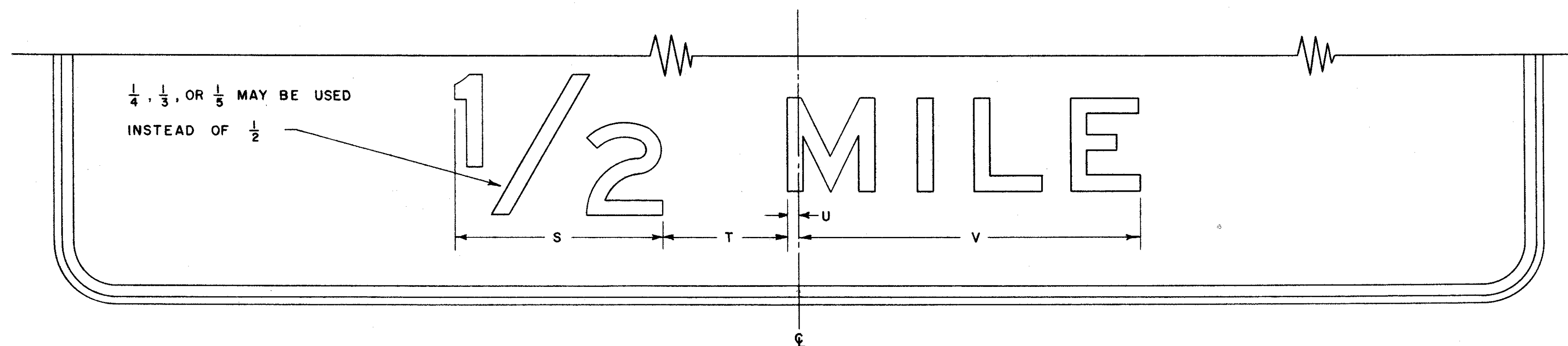
W-101

CODE NUMBER	PLATE					LEGEND													LETTER SERIES	
	H <sub>D</sub>	V <sub>D</sub>	R	MARGIN	BORDER	A	B	C	D	E	F	G	H	J	K	L	M	N		P
W-101-144	144	48	6	$\frac{3}{4}$	$1\frac{1}{8}$	$59\frac{1}{2}$	$10\frac{1}{2}$	12	$37\frac{1}{2}$	$22\frac{1}{2}$	$11\frac{3}{4}$	$\frac{1}{4}$	34	8	9	$9\frac{1}{8}$	$1\frac{7}{8}$	$2\frac{1}{4}$	$1\frac{35}{64}$	E
W-101-288	288	96	12	$1\frac{1}{2}$	$2\frac{1}{4}$	119	21	24	75	45	$23\frac{1}{2}$	$\frac{1}{2}$	68	16	18	$18\frac{1}{4}$	$3\frac{3}{4}$	$4\frac{1}{2}$	$3\frac{3}{32}$	E

MODIFICATION ONE

VERTICAL DIMENSIONS, LETTER SIZE AND SERIES SHALL BE TAKEN FROM THE REGULAR W-101 DESIGN ON THIS SHEET.

NOTE: ALL DIMENSIONS ARE IN INCHES UNLESS OTHERWISE SHOWN.



CODE NUMBER	LEGEND			
	S	T	U	V
W-101-144	$20\frac{1}{4}$	12	$\frac{7}{8}$	$33\frac{1}{8}$
W-101-288	$40\frac{1}{2}$	24	$1\frac{3}{4}$	$66\frac{1}{4}$