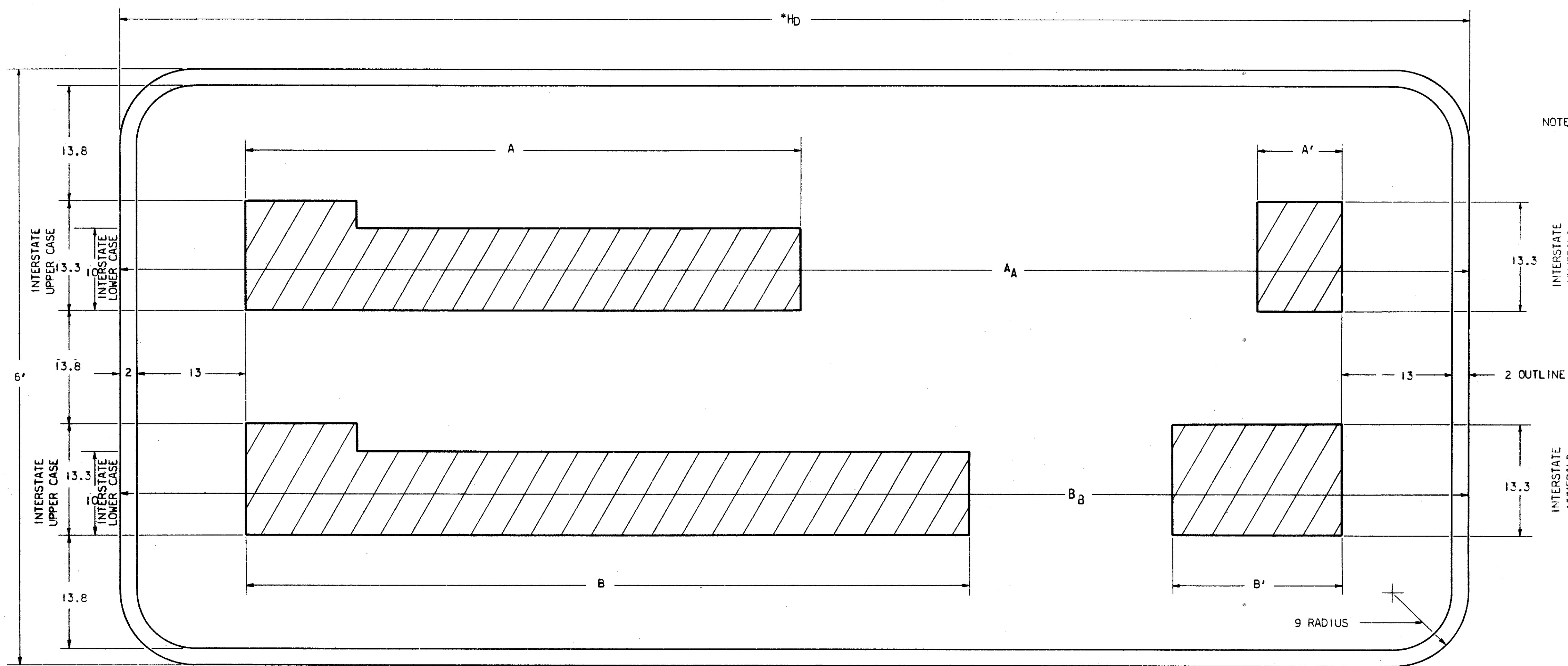


LAKE COUNTY  
 ASHTABULA COUNTY  
 LAK.-1-12.89  
 ATB.-1-0.00

# GH



NOTES:

\*TO FIND  $H_D$   
 $H_D$  IS DETERMINED BY  $A_A$  OR  $B_B$ , WHICHEVER IS GREATER.  
 TO FIND  $A_A$   
 $A + A' + 54'' \pm (**)$  =  $A_A$   
 TO FIND  $B_B$   
 $B + B' + 54'' \pm (**)$  =  $B_B$   
 \*\*ADD OR SUBTRACT UP TO 3" TO KEEP  $H_D$  TO EVEN FOOT OR HALF FOOT.  
 ALL DIMENSIONS ARE IN INCHES UNLESS OTHERWISE SHOWN.

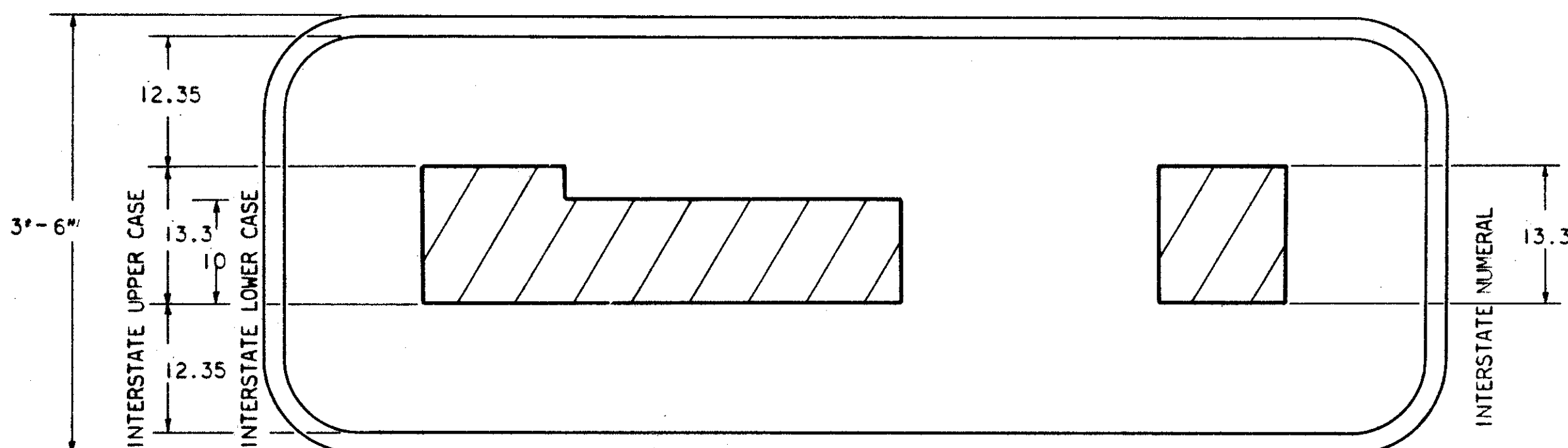
MODIFICATIONS

MODIFICATION ONE.  
 FOR ONE LINE OF COPY. SEE MODIFICATION ONE DRAWING BELOW FOR VERTICAL PLACEMENT. HORIZONTAL PLACEMENT AND DETERMINATION OF  $H_D$  IS SAME AS THAT SHOWN FOR G H DESIGN.

TYPICAL SIGNS

Spring Falls	26
Ashton	74

MODIFICATION ONE



Lima	3
Findlay	17