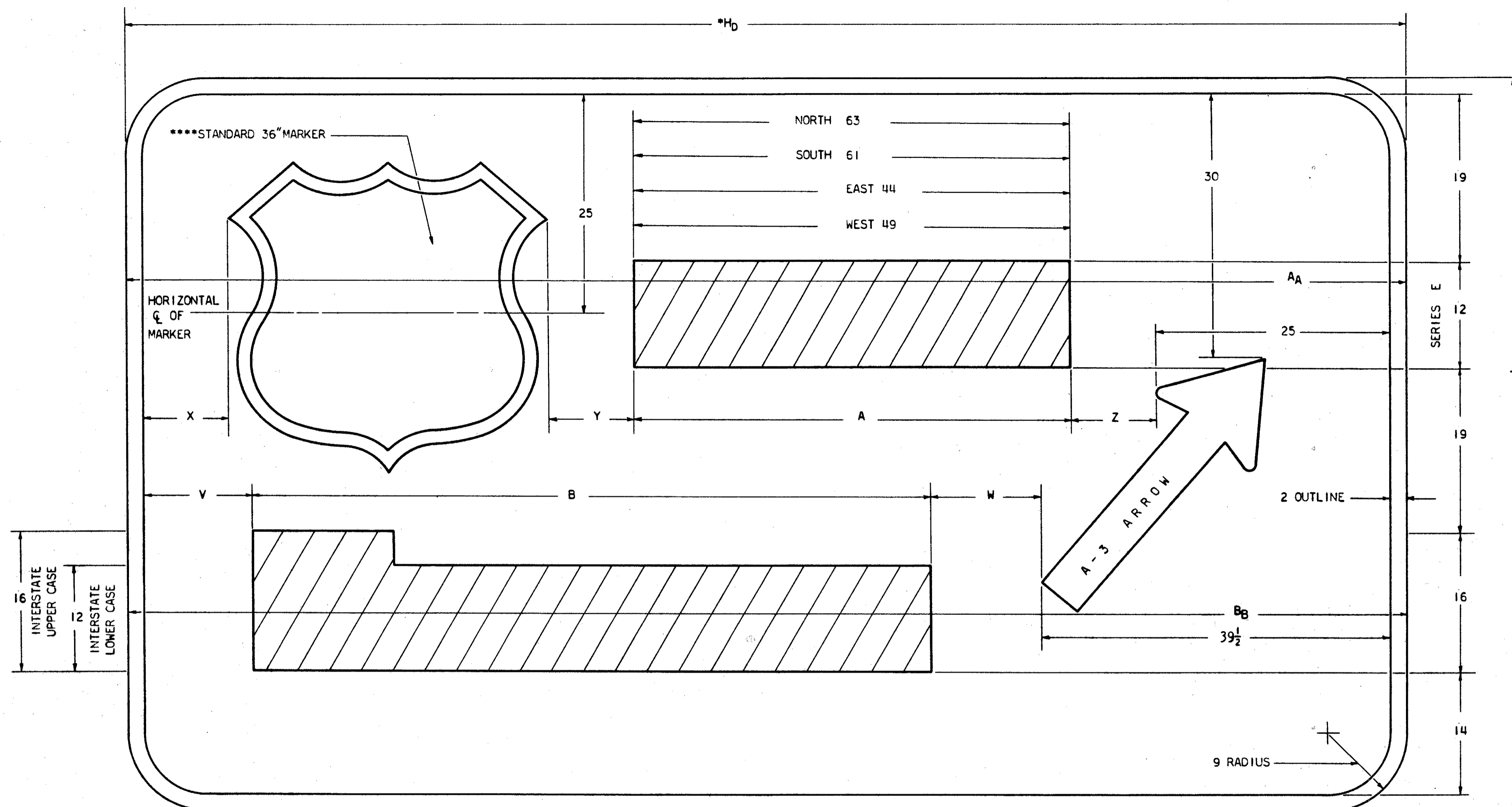


LAKE COUNTY
ASHTABULA COUNTY
LAK.-1-12.89
ATB.-1-0.00

GF



NOTES:

*TO FIND H_D
 H_D IS DETERMINED BY A_A OR B_B , WHICHEVER IS GREATER.

TO FIND A_A
 $A + 101'' \pm (**)$ = A_A (SEE NOTE ***)

TO FIND B_B
 $B + 75\frac{1}{2}'' \pm (**)$ = B_B

**ADD OR SUBTRACT UP TO 3" TO KEEP H_D TO EVEN FOOT OR HALF FOOT.

SPACES X, Y AND Z ARE EQUAL EXCEPT THAT Y SHALL NEVER EXCEED 24". X AND Z ARE ALWAYS EQUAL. SPACES V AND W ARE ALWAYS EQUAL.

***DESIGN SHOWN IS FOR ONE ROUTE MARKER. INCREASE A_A 48" FOR EACH ADDITIONAL ROUTE MARKER. SPACE BETWEEN ROUTE MARKERS SHALL BE EQUAL TO Y.

ALL DIMENSIONS ARE IN INCHES UNLESS OTHERWISE SHOWN.

****OHIO AND U.S. MARKERS SHALL HAVE WHITE OUTLINE AND NUMERALS ON A GREEN BACKGROUND. INTERSTATE MARKERS SHALL BE RED, WHITE AND BLUE.

TYPICAL SIGNS

