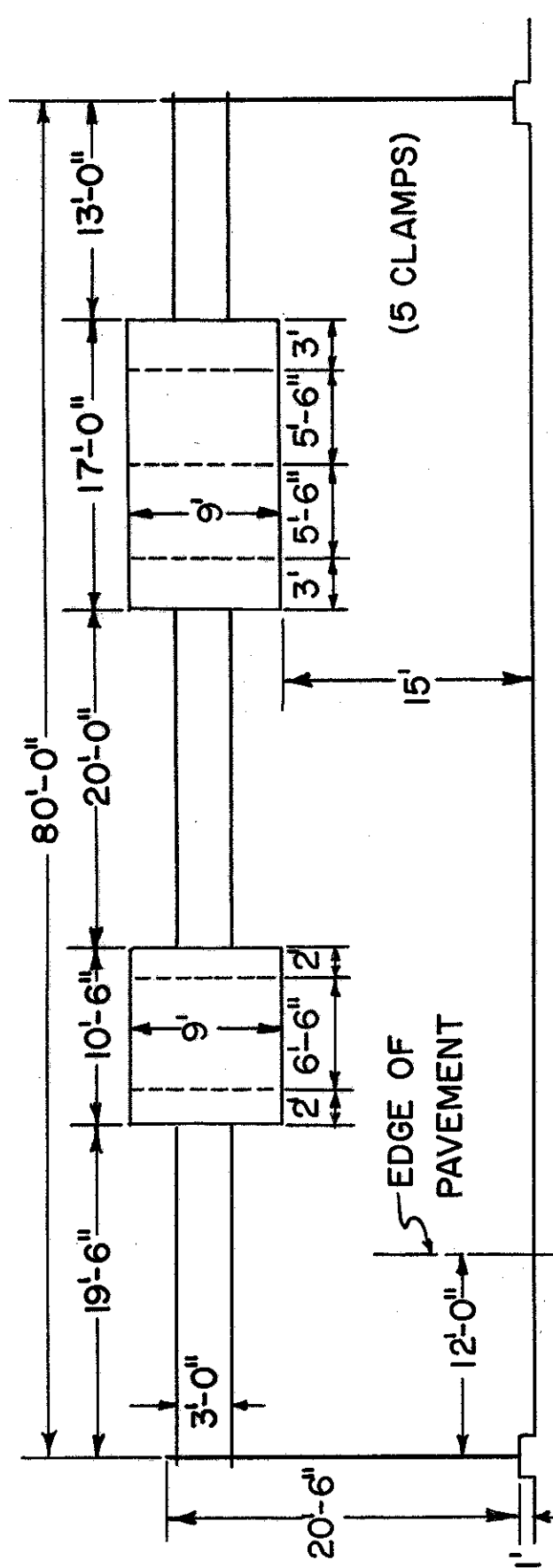
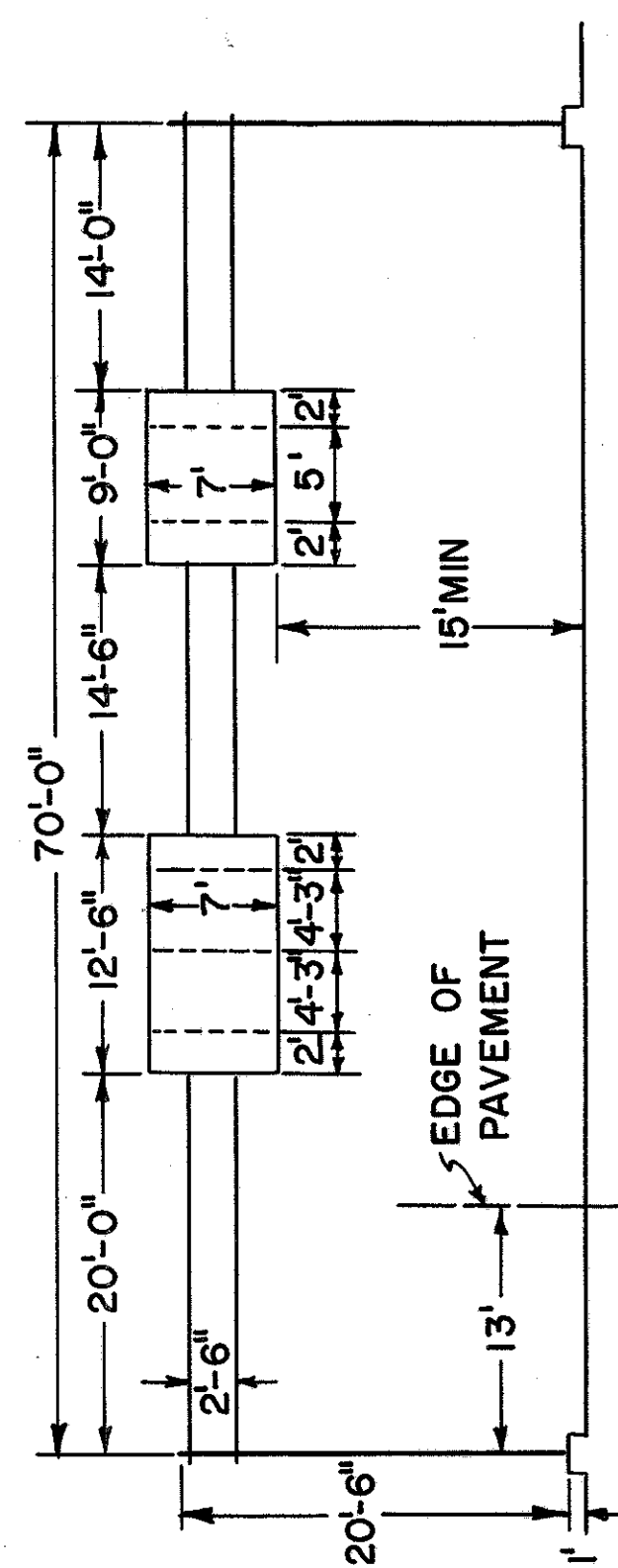


LAKE COUNTY
ASHTABULA COUNTY
LAK-1-12.89
ATB-1-0.00

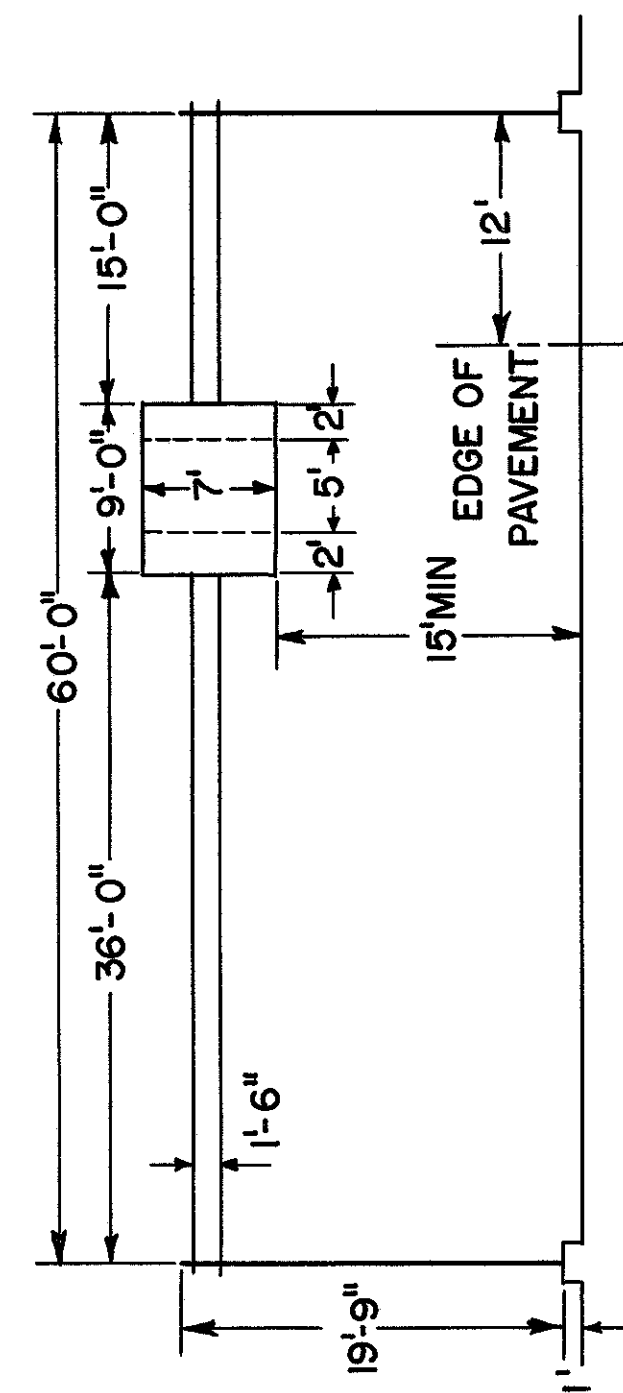
ERECTION:
FOR ERECTION DETAILS OF SIGN
SUPPORTS, SEE SHEETS 77-81.



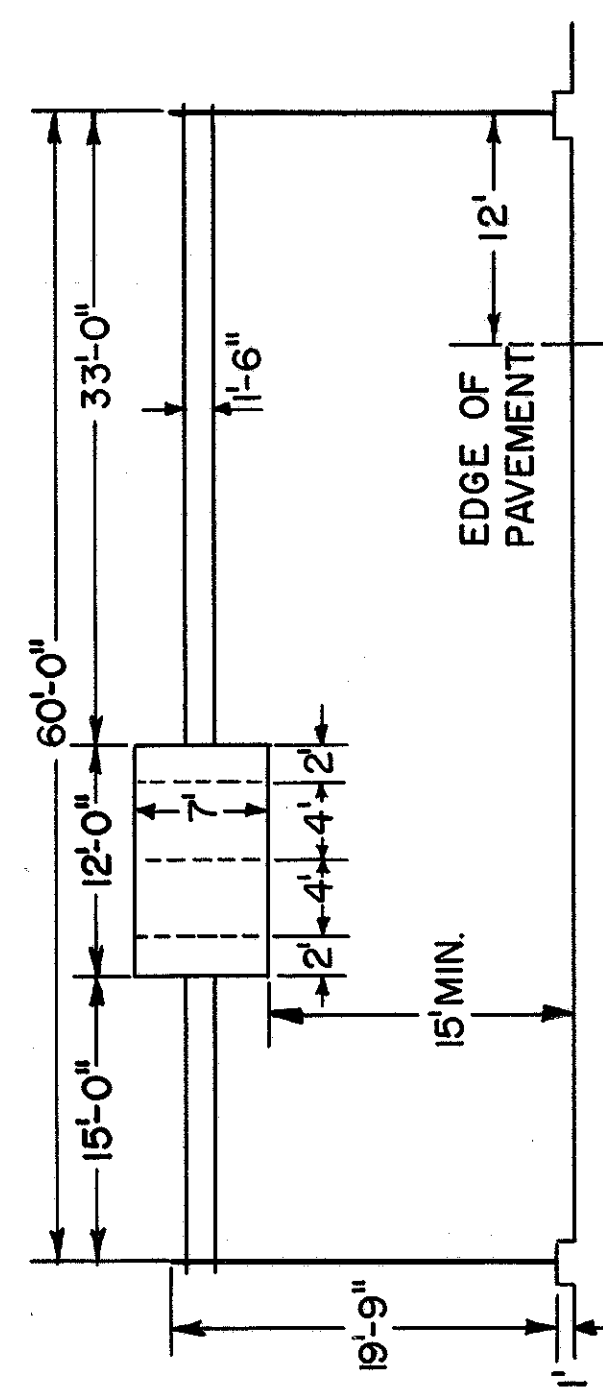
STA 43+40 (S.R. 46)
TYPE I-129 NO. 8.3 DESIGN 2



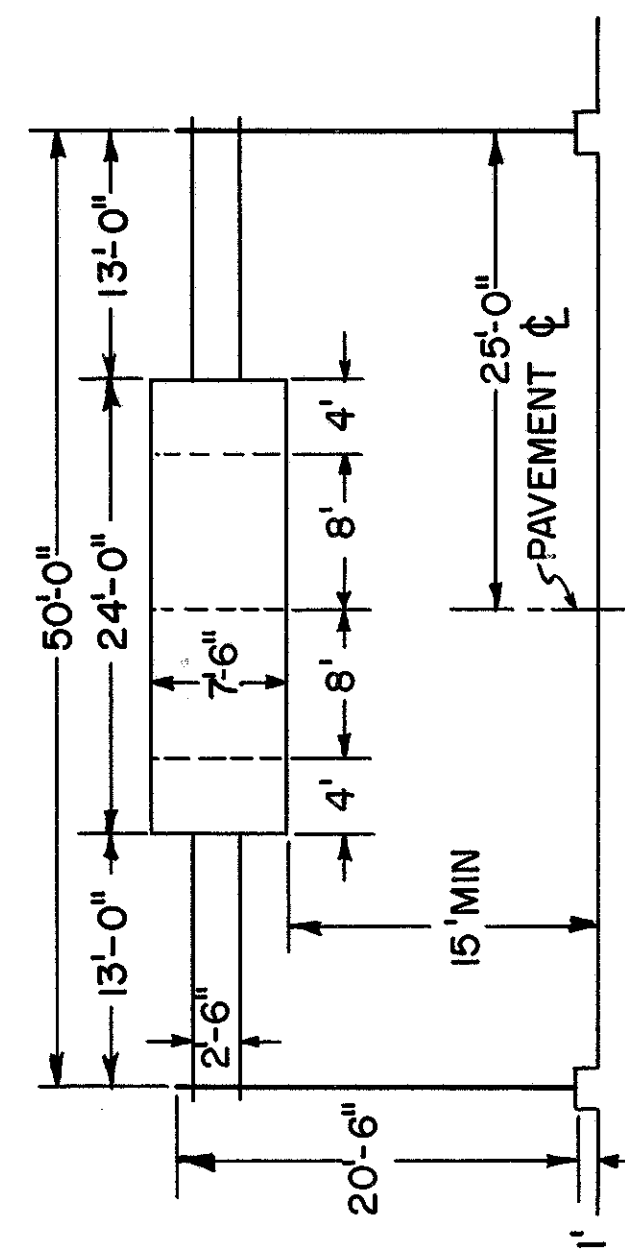
STA 1218+10 (S.R. 46)
TYPE I-129 NO. 8.2 DESIGN 1



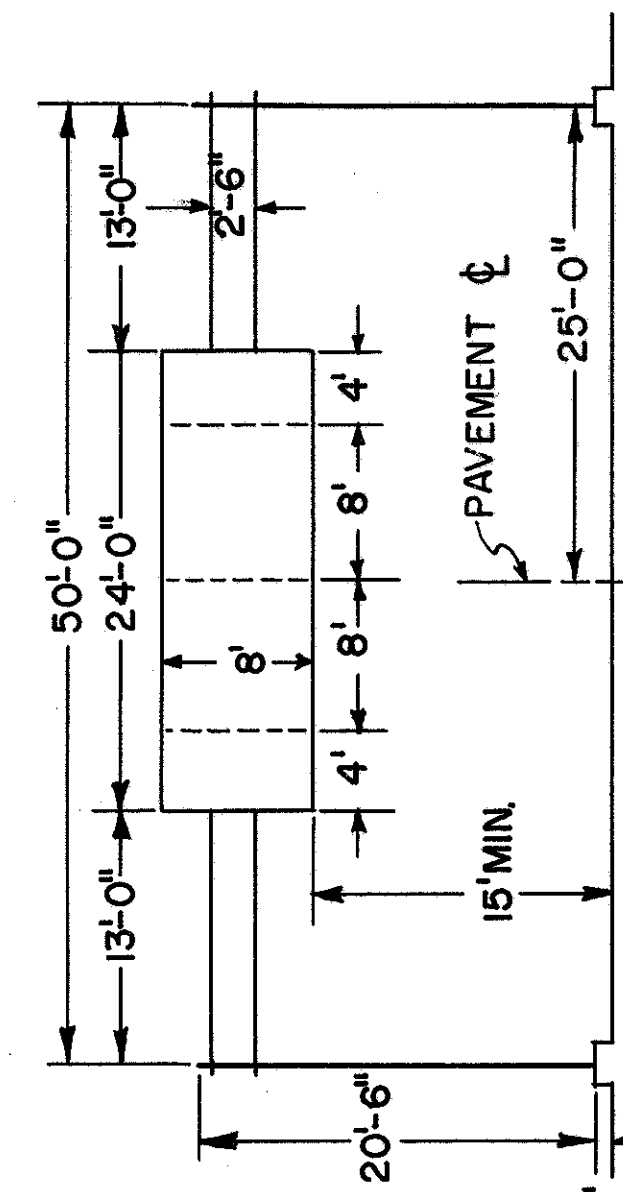
STA 1523+30 (S.R. 7)
TYPE I-129 NO. 8.1 DESIGN 1



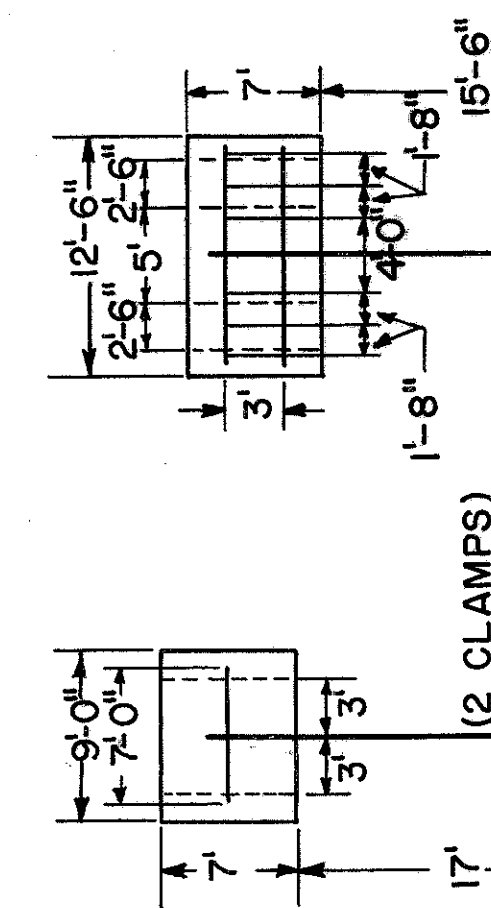
STA 1531+60 (S.R. 7)
TYPE I-129 NO. 8.1 DESIGN 1



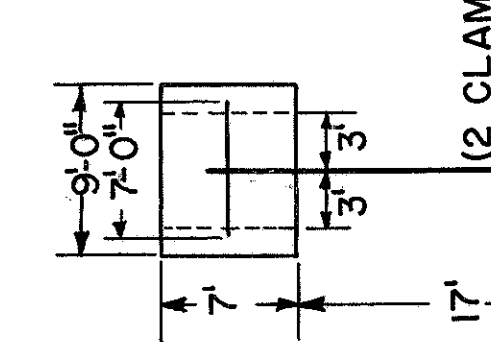
STA 406+00
TYPE I-129 NO. 8.2 DESIGN 1



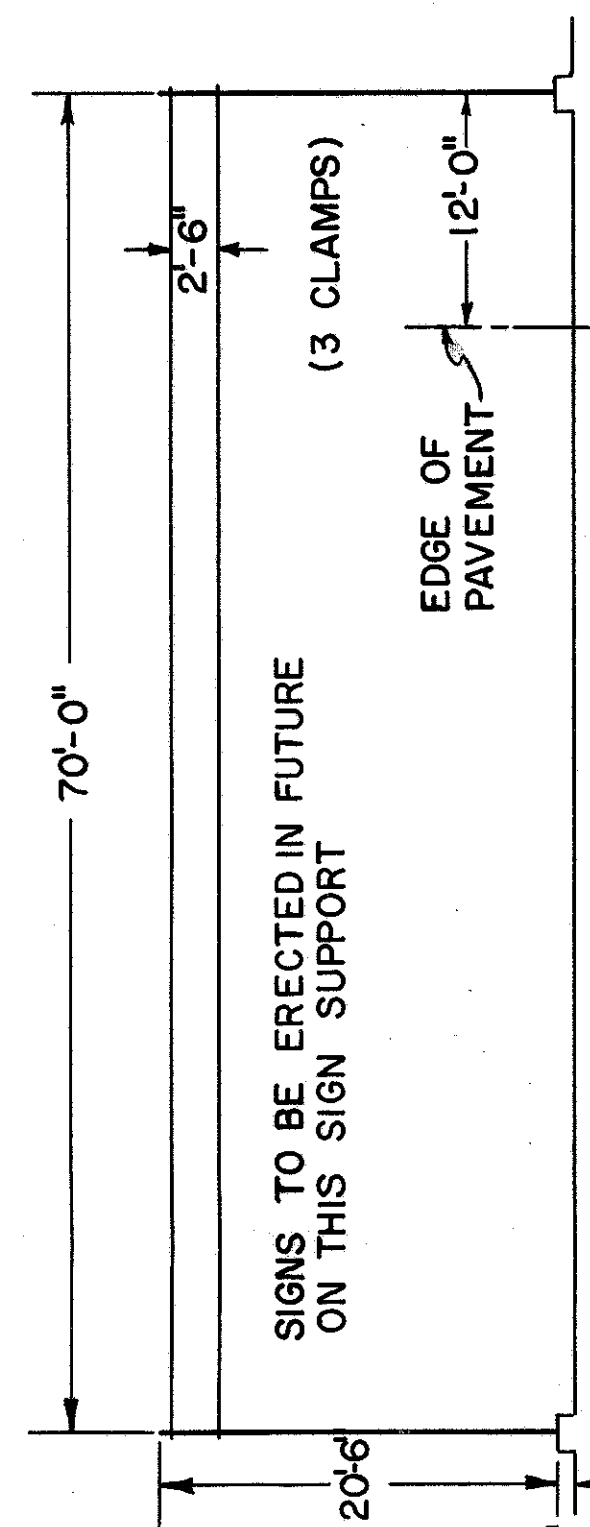
STA 416+00
TYPE I-129 NO. 8.2 DESIGN 1



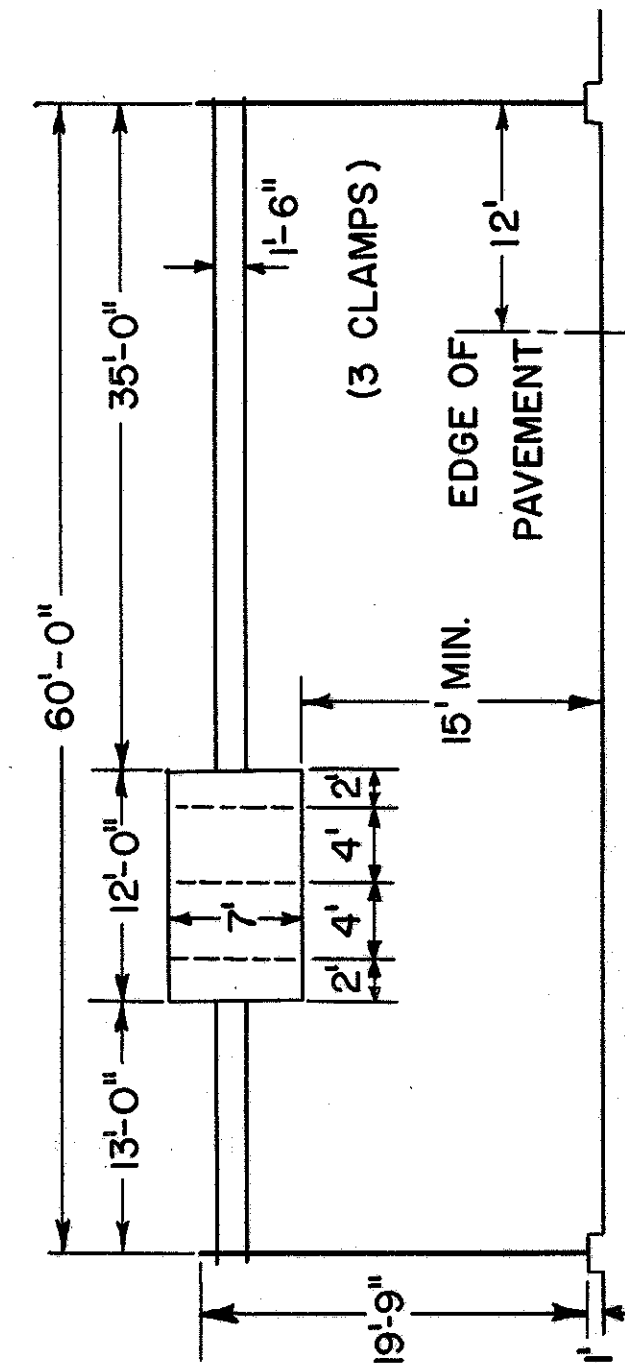
STA 1228+40
TYPE I-129 NO. 2.14



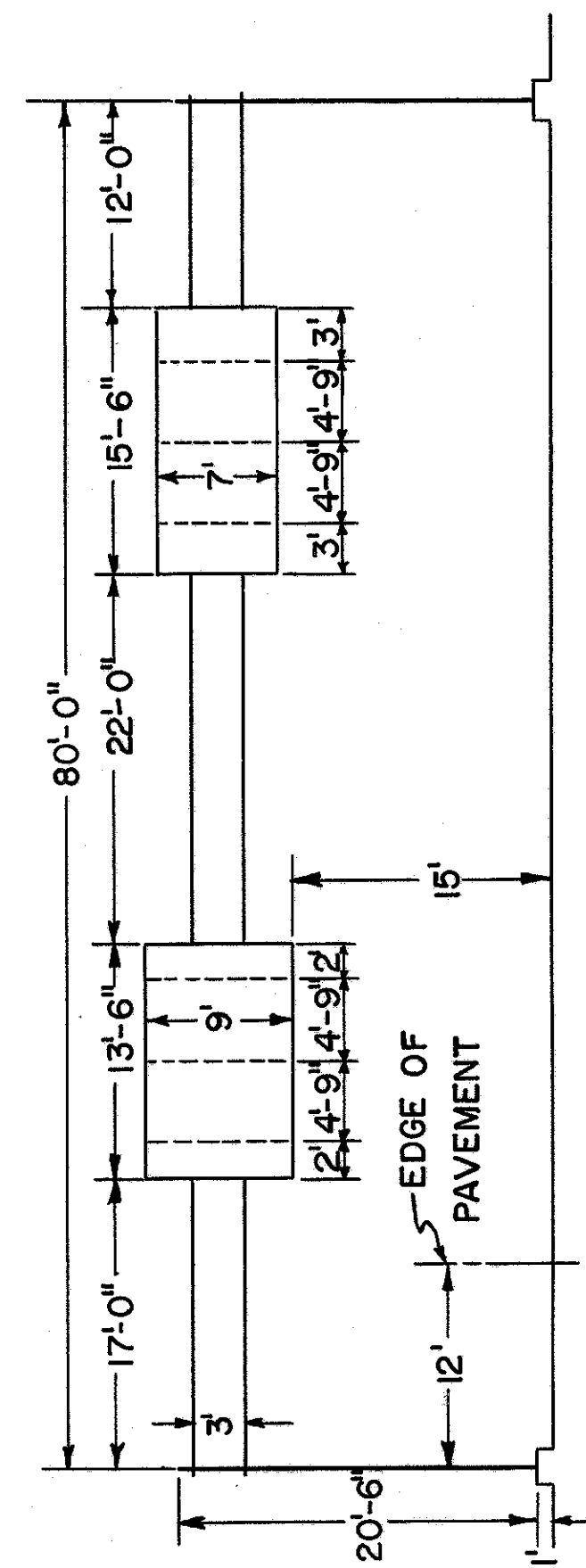
STA 1219+70
TYPE I-129 NO. 1.06



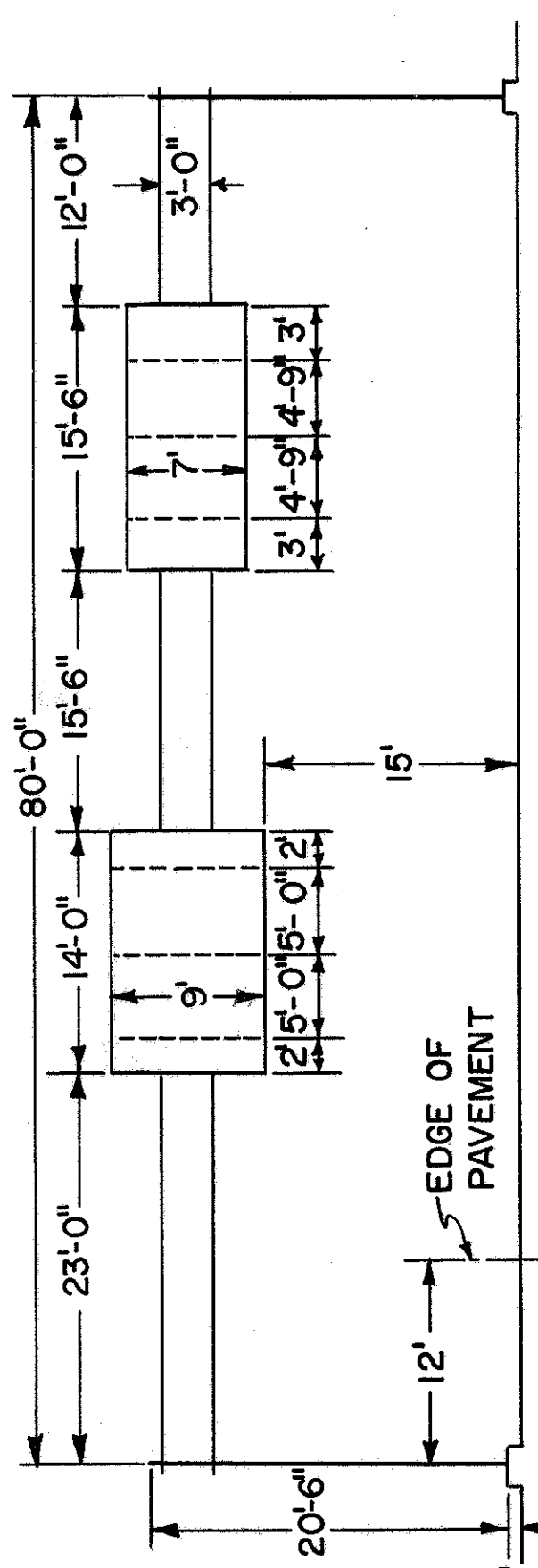
STA 127+80 (S.R. 44)
TYPE I-129 NO. 8.1 DESIGN 2



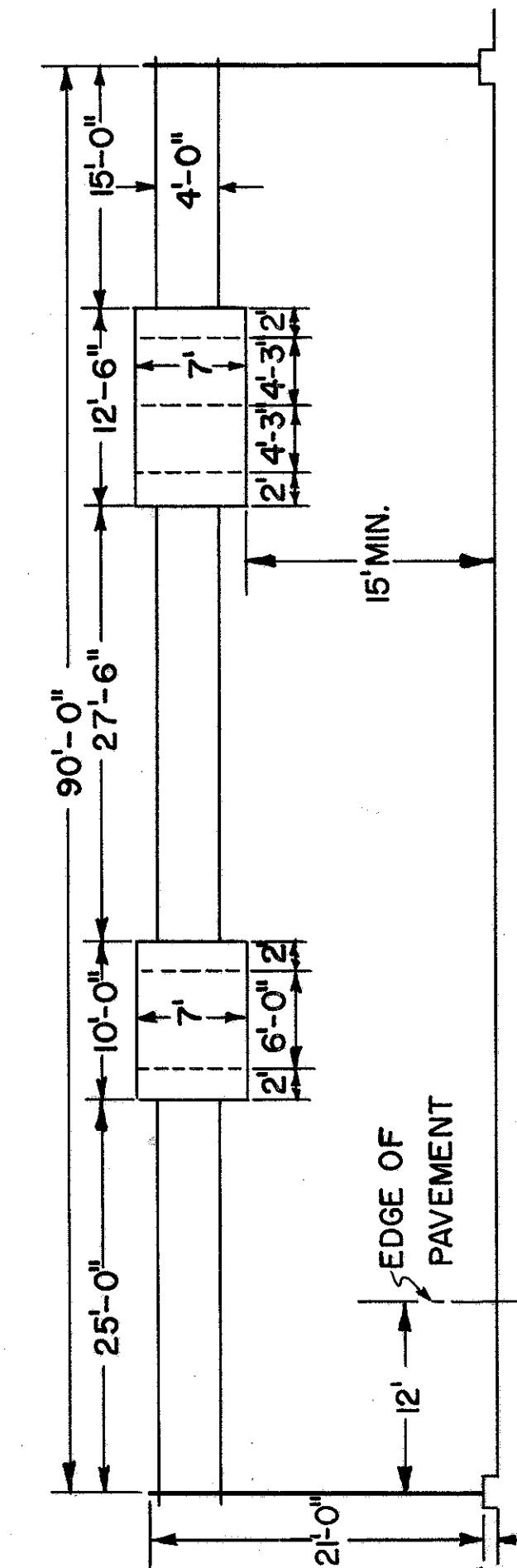
STA 120+50 (S.R. 44)
TYPE I-129 NO. 8.1 DESIGN 1



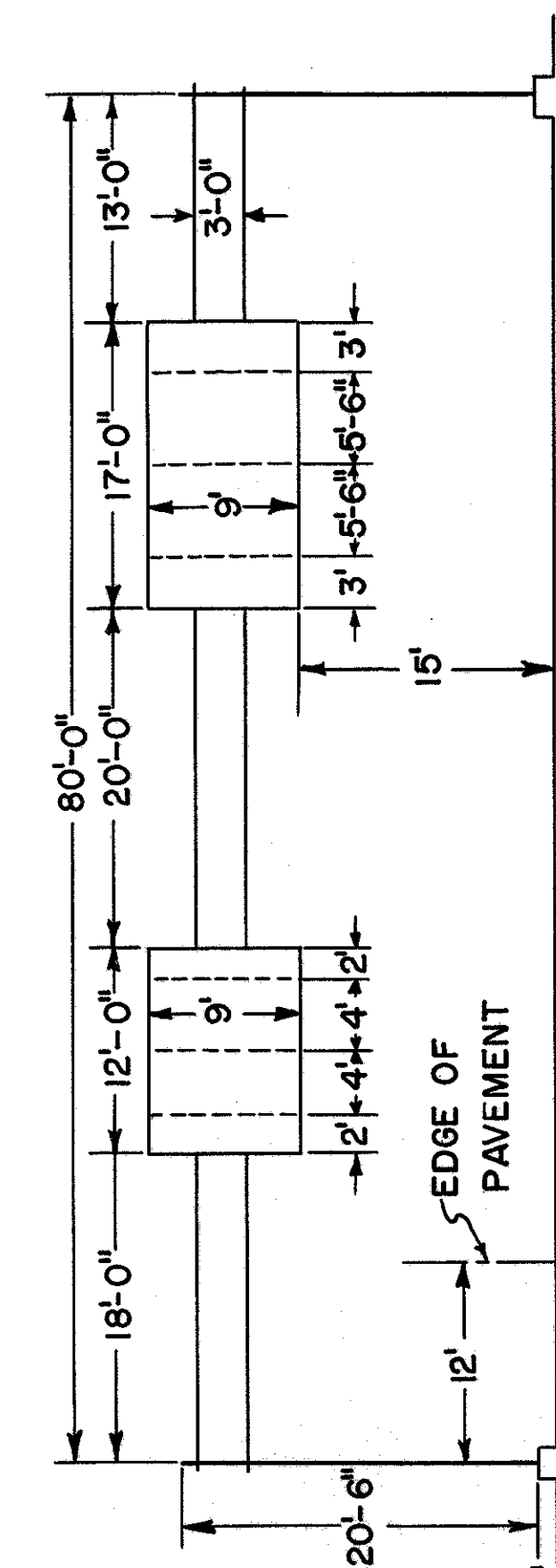
STA 30+75 (S.R. 46)
TYPE I-129 NO. 8.3 DESIGN 2



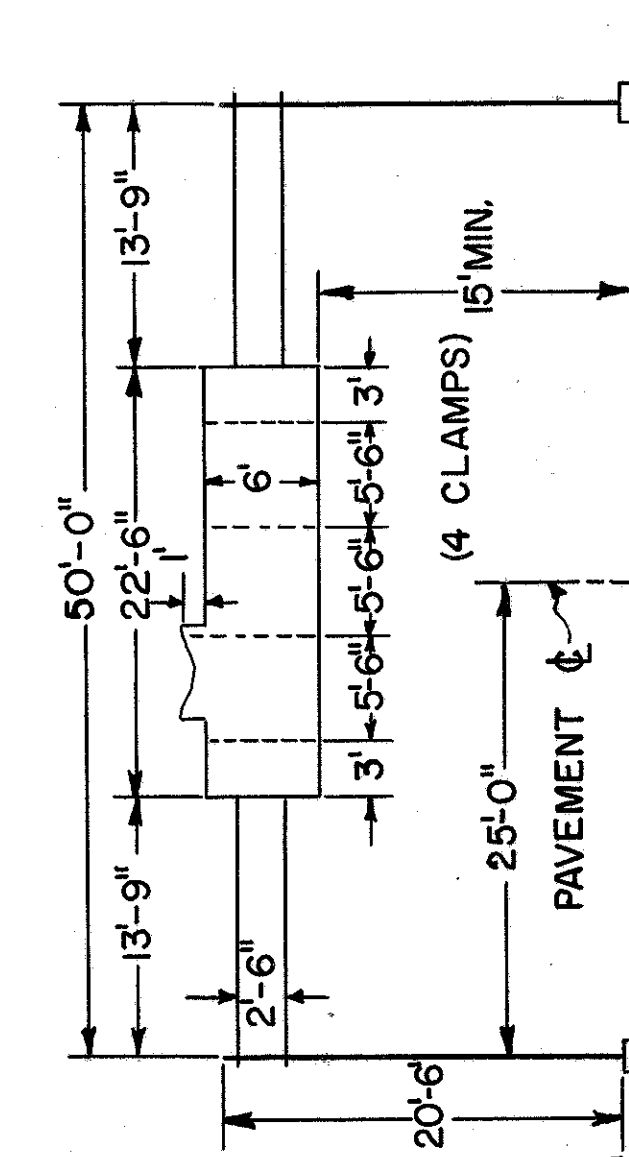
STA 39+50 (S.R. 46)
TYPE I-129 NO. 8.3 DESIGN 2



STA 1236+80 (S.R. 46)
TYPE I-129 NO. 8.2 DESIGN 3



STA 57+90 (S.R. 46)
TYPE I-129 NO. 8.3 DESIGN 2



STA 850+75
TYPE I-129 NO. 8.2 DESIGN 1