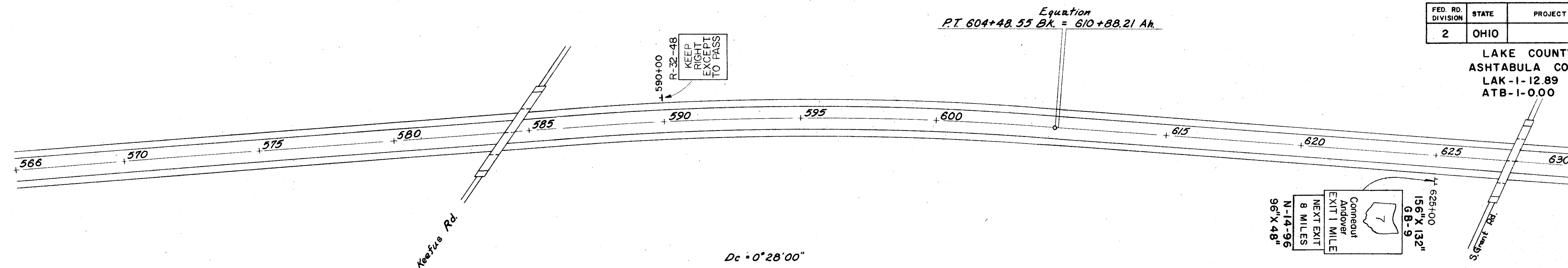


LAKE COUNTY
ASHTABULA COUNTY
LAK-1-12.89
ATB-1-0.00

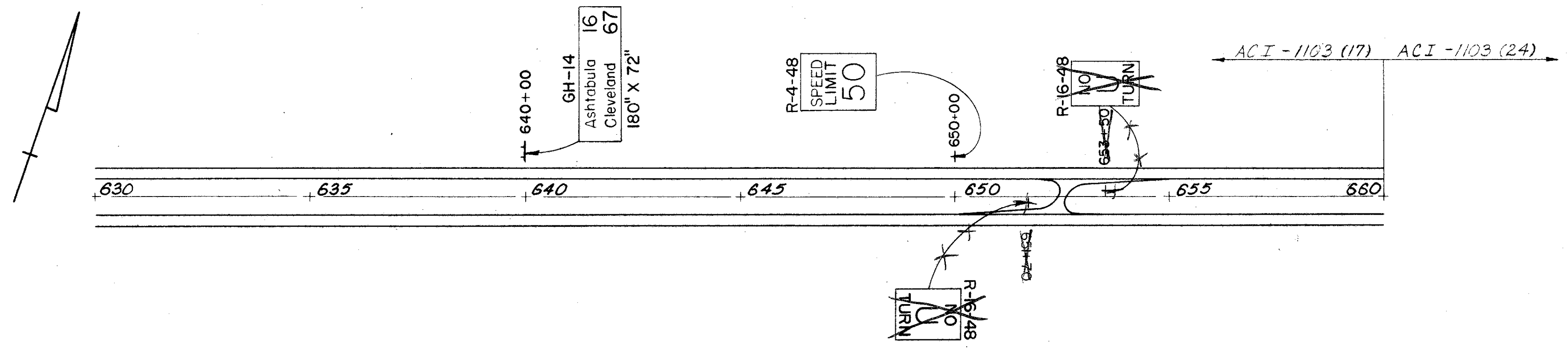
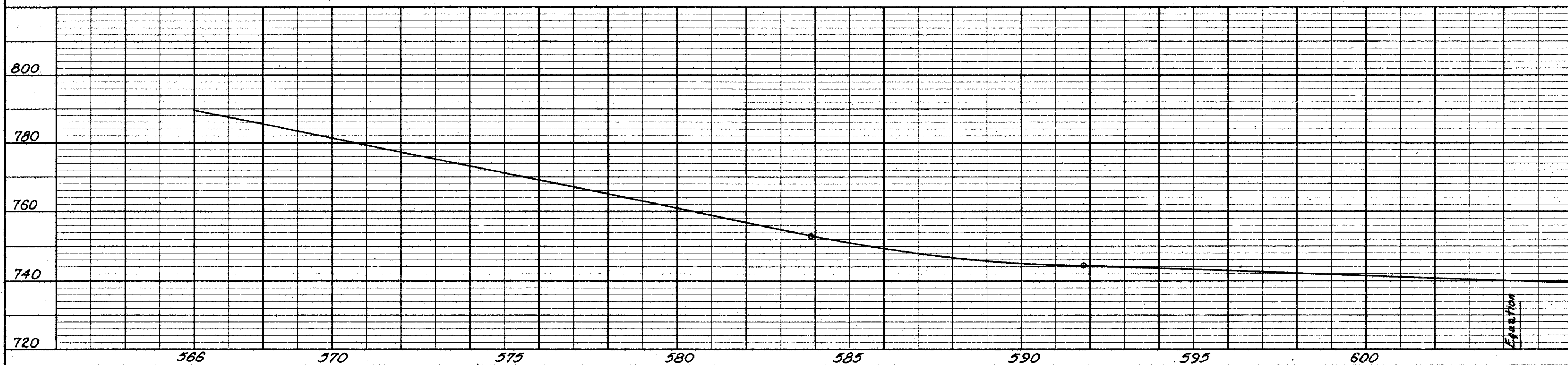


$D_c = 0^{\circ}28'00''$

PLAN
SURVEYED BY DATE
NOTE BOOK NO.
ALIGNMENT CHECKED
RT. OF WAY CHECKED

QUANTITIES

STATION	CODE NUMBER AND SIZE						SUPPORTS			1.12# D.P. BRC.		
	CB-9 156 X 132"	GH-14 180 X 72"	R-4-48 48 X 60"	R-16-48 48 X 60"	R-32-48 48 X 60"	N-14-96 96 X 48"	# BEAM	10 B 17	12 B 22	PCS.	TOT.	CONC.
	EA.	EA.	EA.	EA.	EA.	EA.	FT.	FT.	FT.	EA.-FT.	FT.	CU. YDS.
625+00	1								265 285			2.54
640+00		1						205 225				2.18
590+00					1		185			2 @ 3.33	6.66	.16
650+00				1			185			2 @ 3.33	6.66	.16
651+00				X			185			2 @ 3.33	6.66	.16
655+00				X			185			2 @ 3.33	6.66	.16
TOTALS	1	1	1	X	1	1	746	430	550		1334 26.64	3.36



PROFILE
SURVEYED BY DATE
NOTE BOOK NO.
GRADES CHECKED
S. M. S. NOTED
STRUCTURE NOTATION CHECKED

