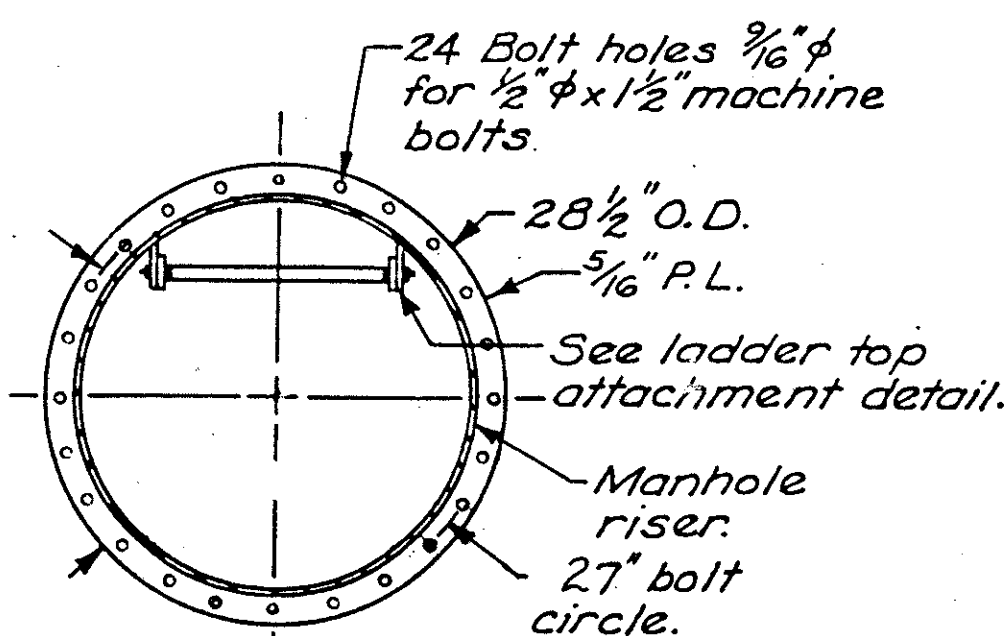
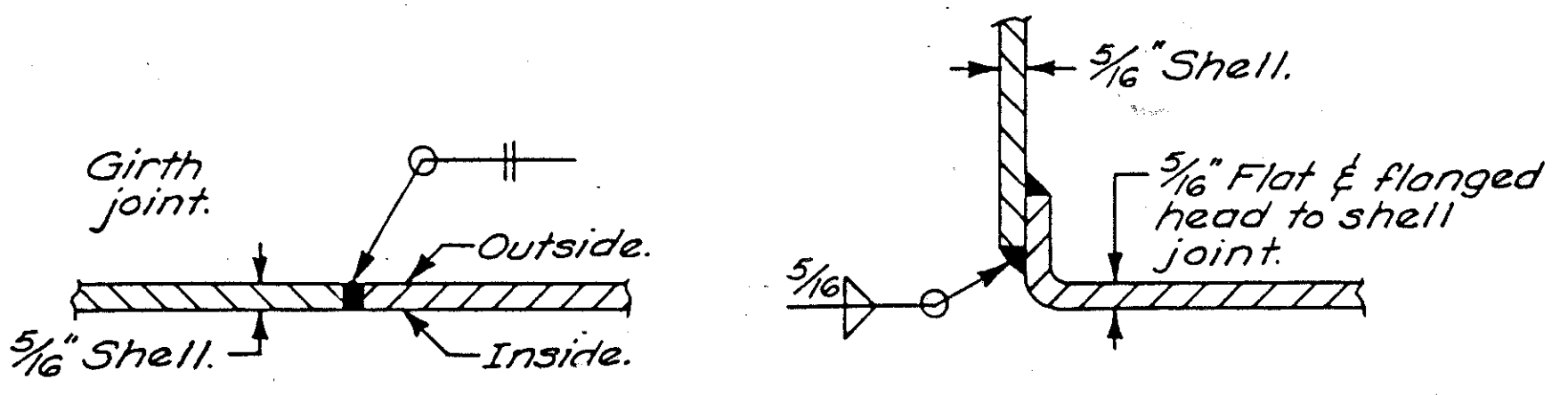


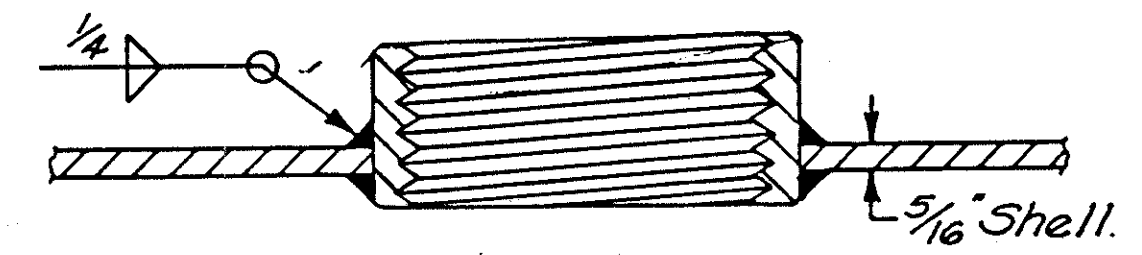
MANHOLE COVER



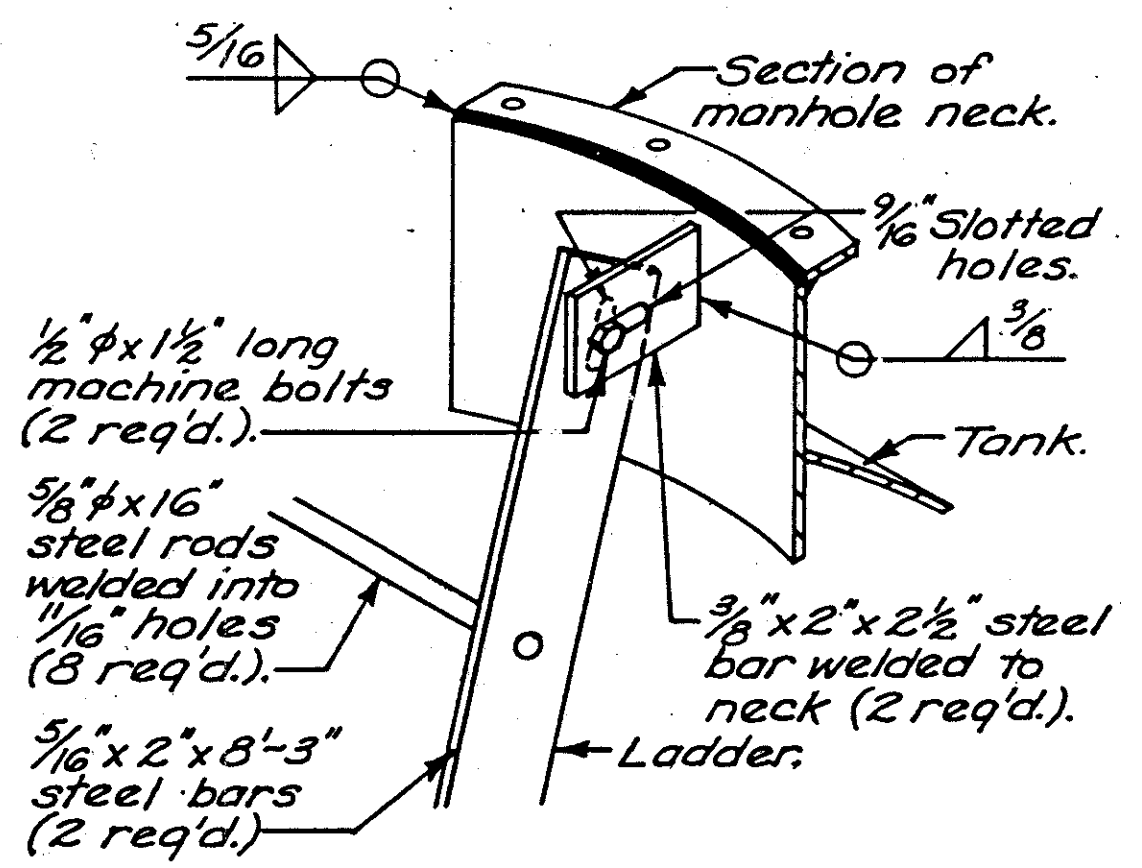
MANHOLE NECK RING



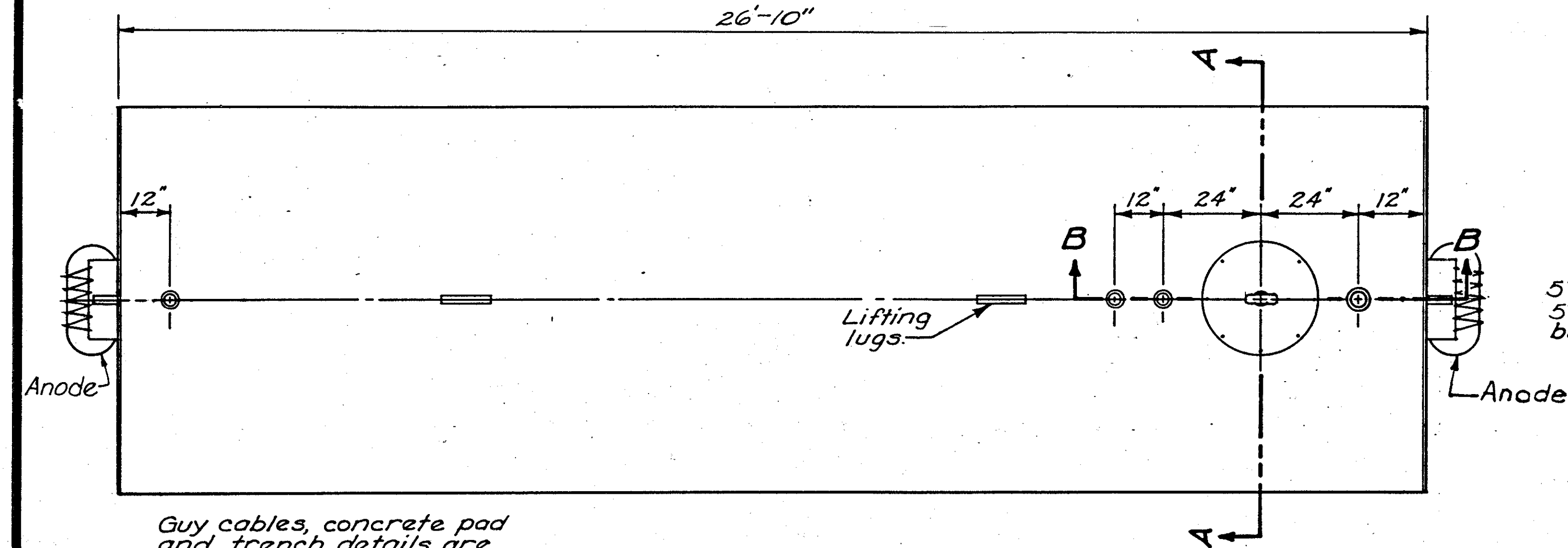
HORIZONTAL OR VERTICAL TANK WELDS



HALF COUPLING WELD



LADDER TOP ATTACHMENT

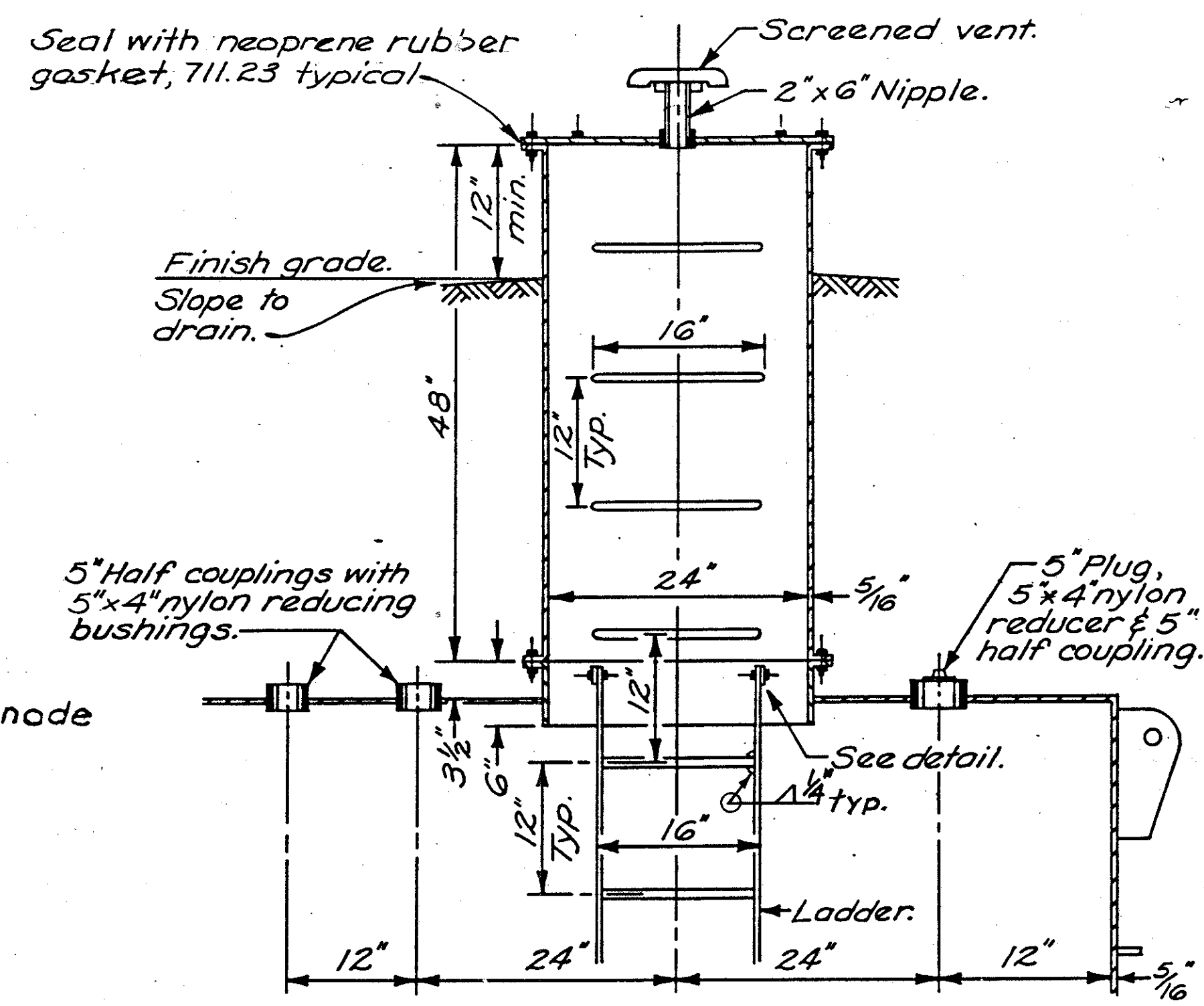


Guy cables, concrete pad and trench details are omitted from this view.

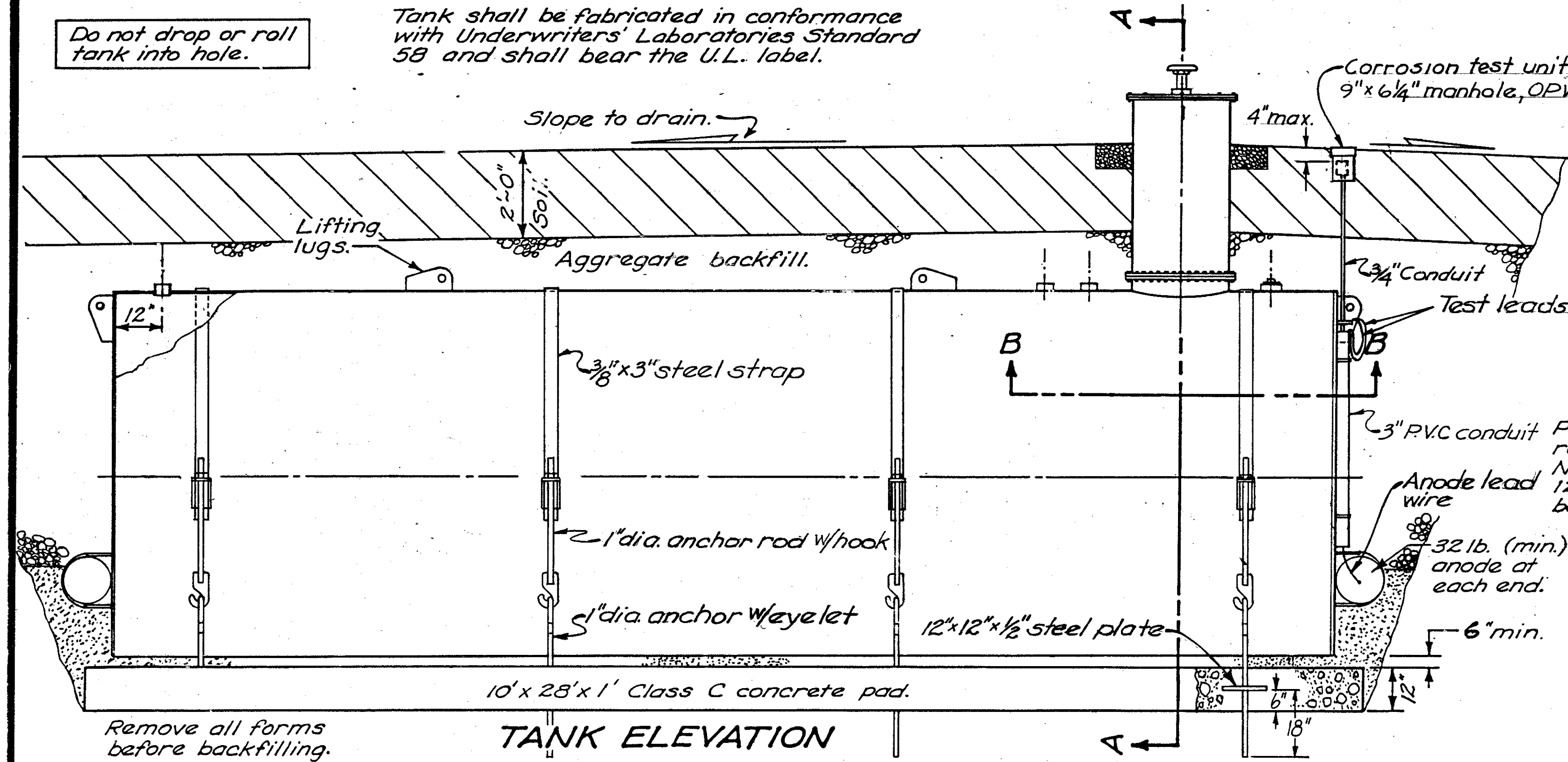
TANK PLAN VIEW

Do not drop or roll tank into hole.

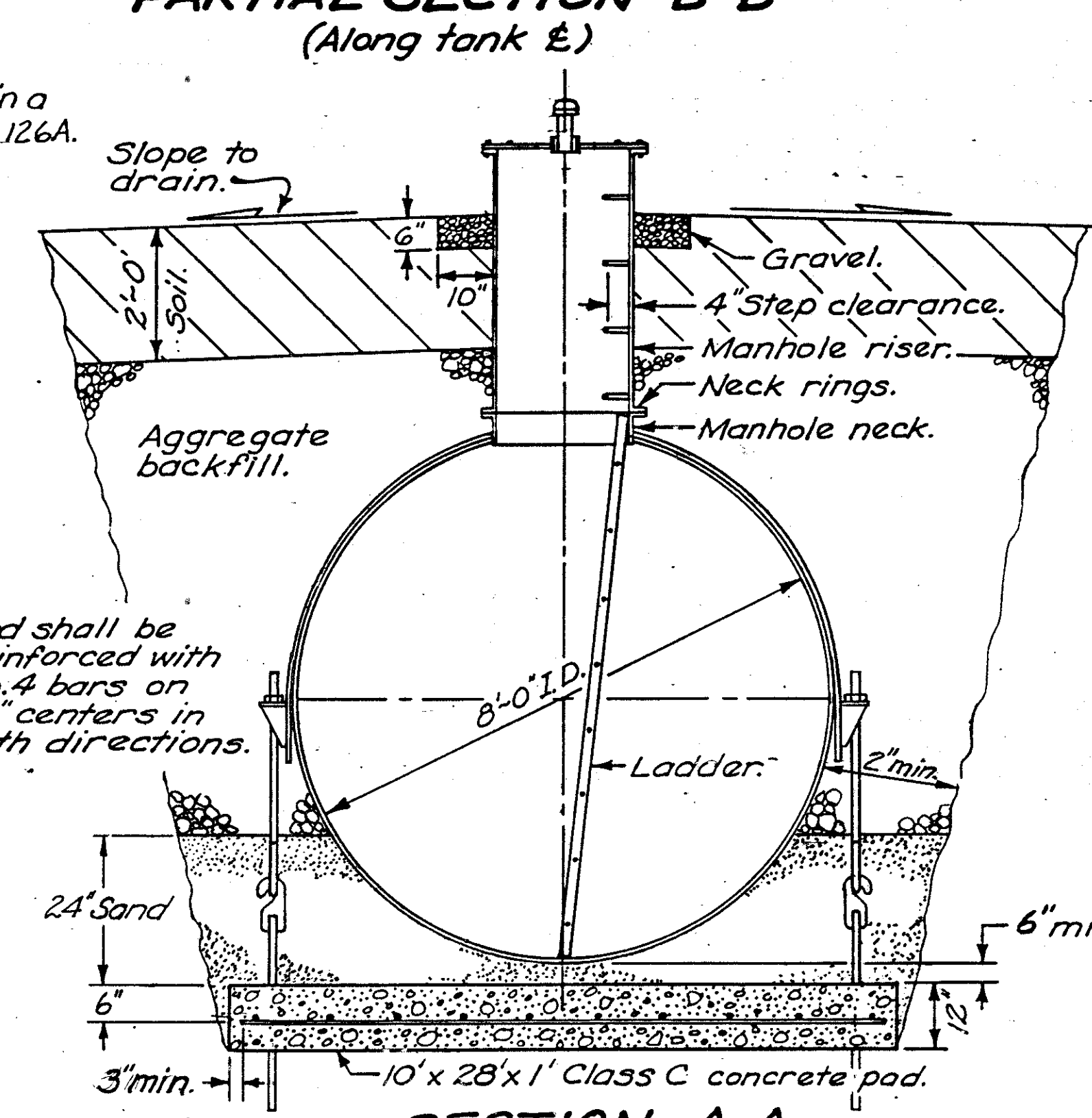
Tank shall be fabricated in conformance with Underwriters' Laboratories Standard 58 and shall bear the U.L. label.



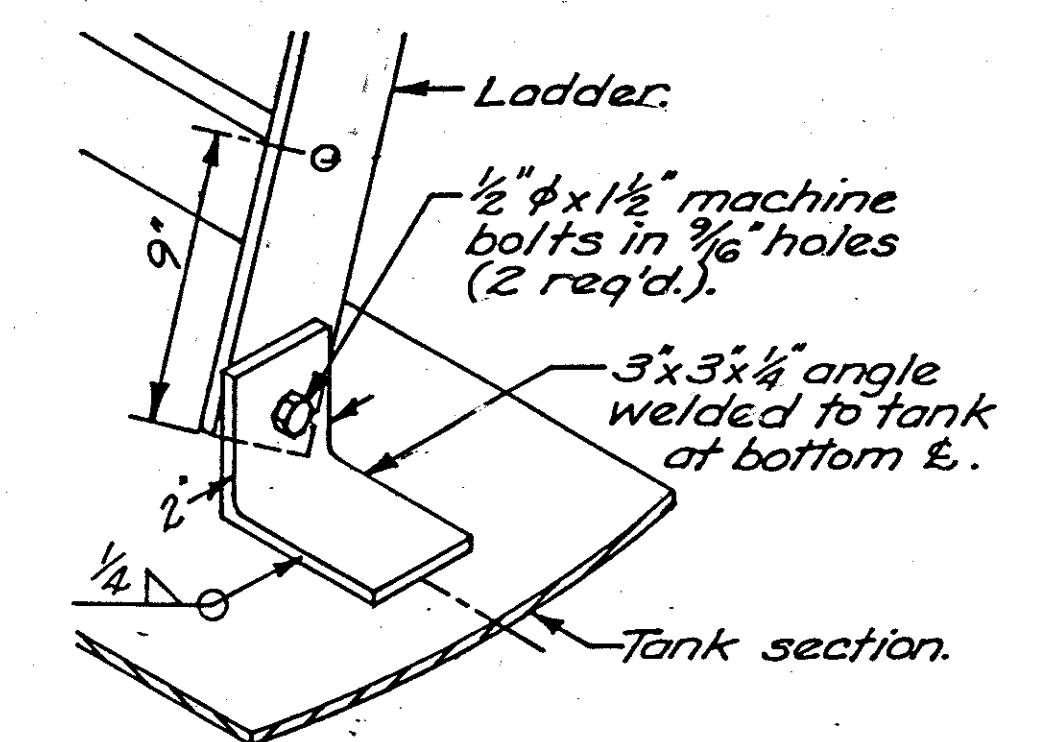
PARTIAL SECTION B-B  
(Along tank &)



TANK ELEVATION



SECTION A-A



LADDER BASE ATTACHMENT

BUREAU OF DESIGN SERVICES DIVISION OF HIGHWAYS OHIO DEPARTMENT OF TRANSPORTATION		DATE
WATER RESERVOIR TANK		
STANDARD CONSTRUCTION DRAWING	RRA-9	
APPROVED	Engr. of Design Services	