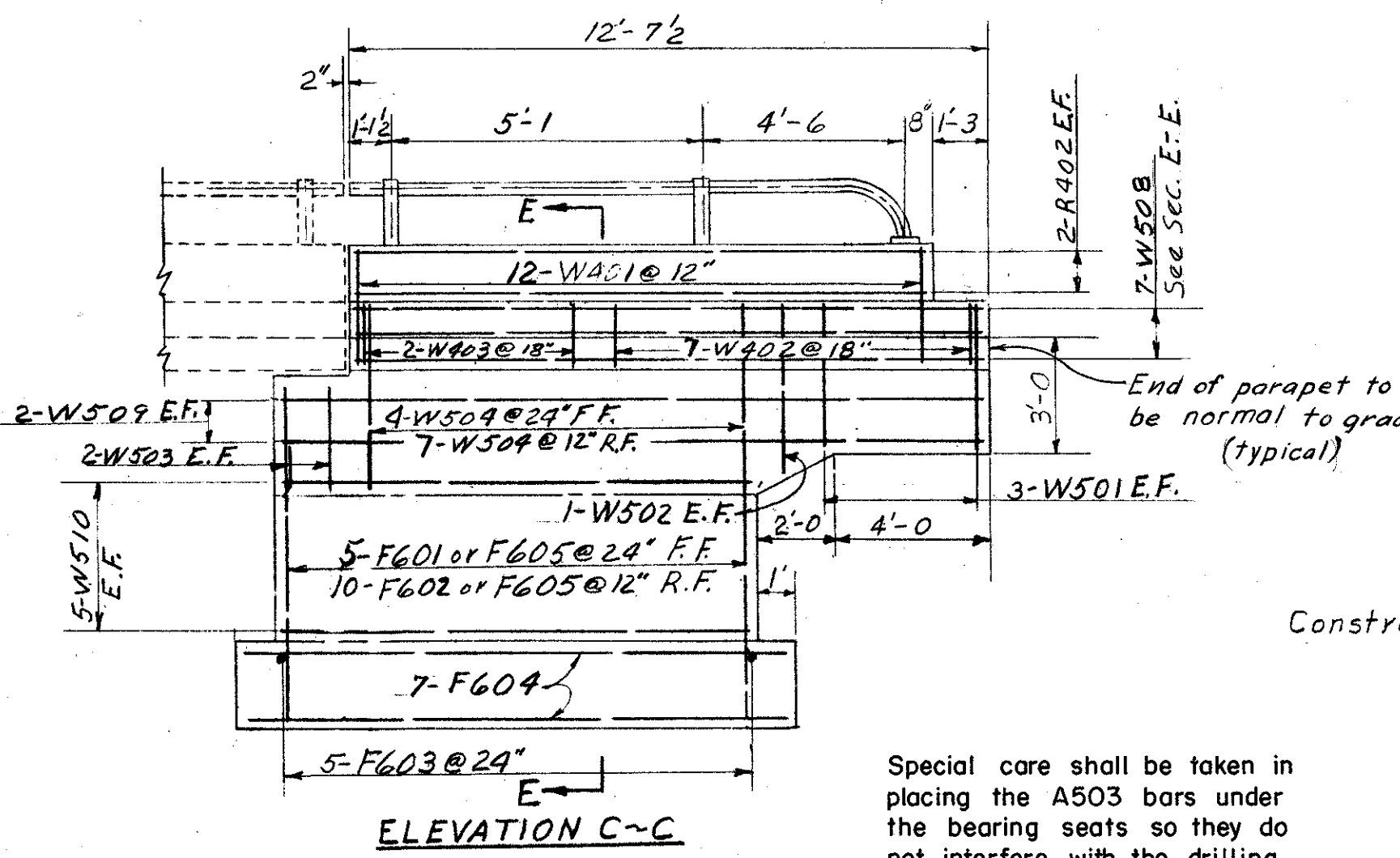
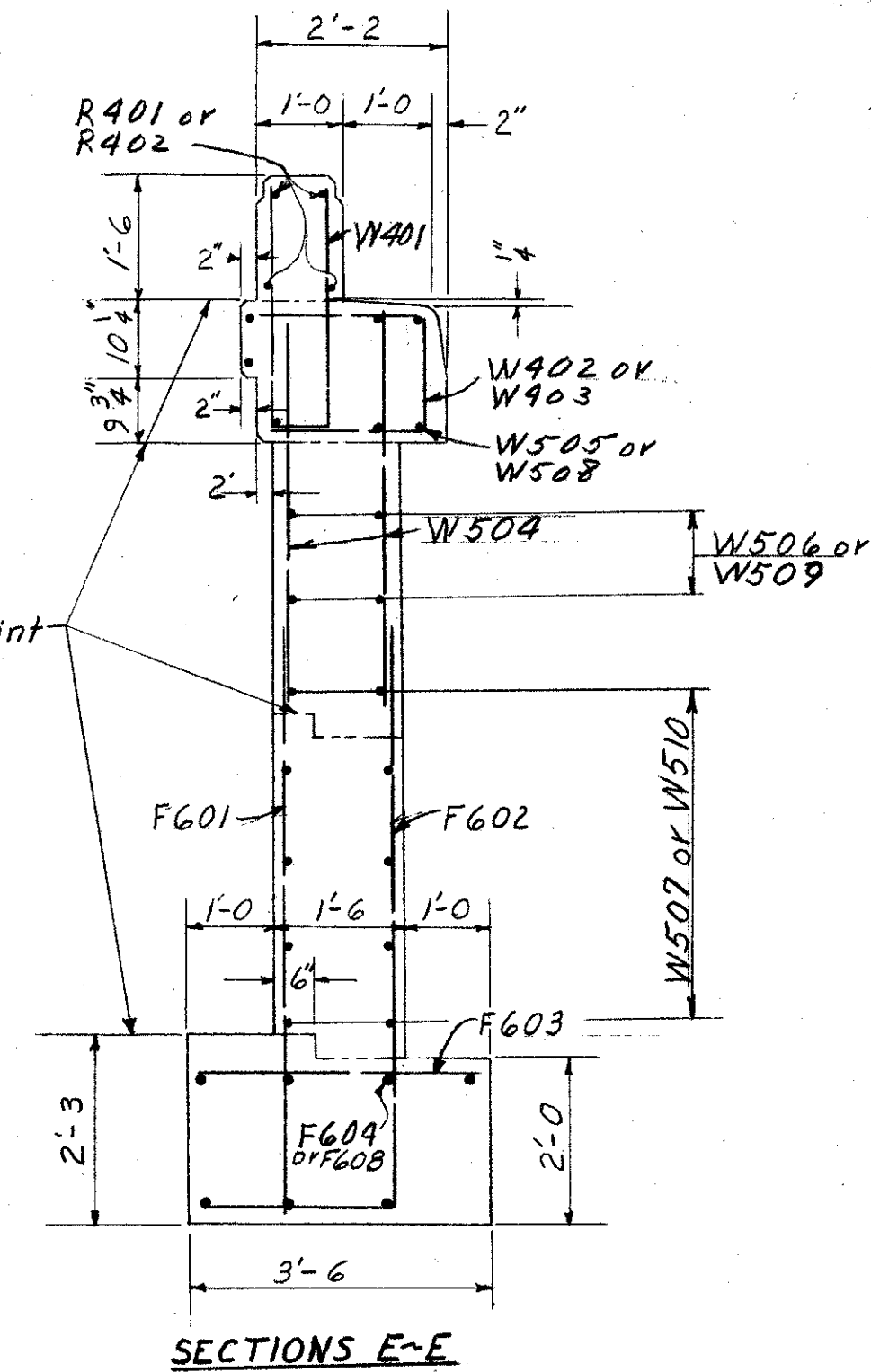
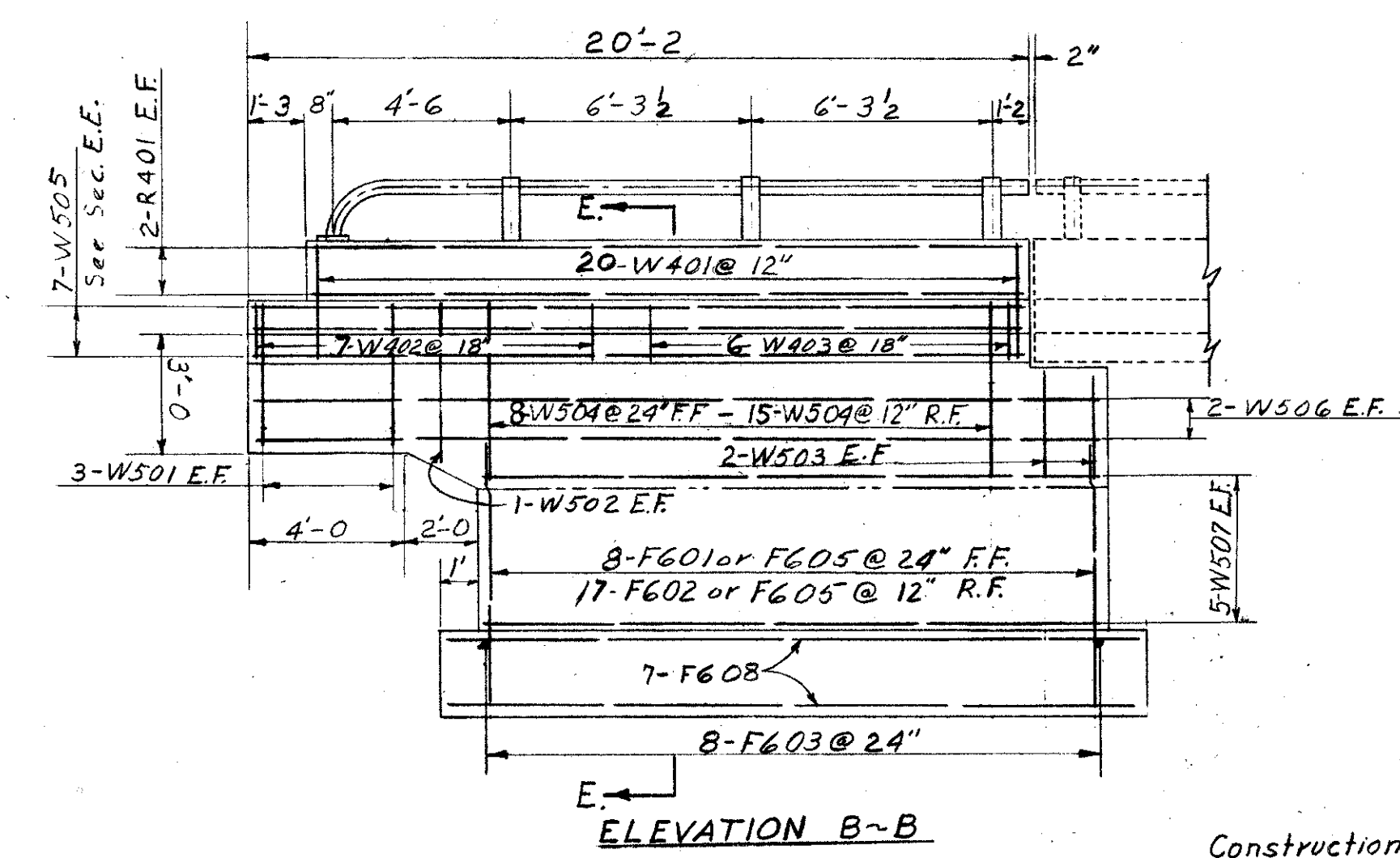
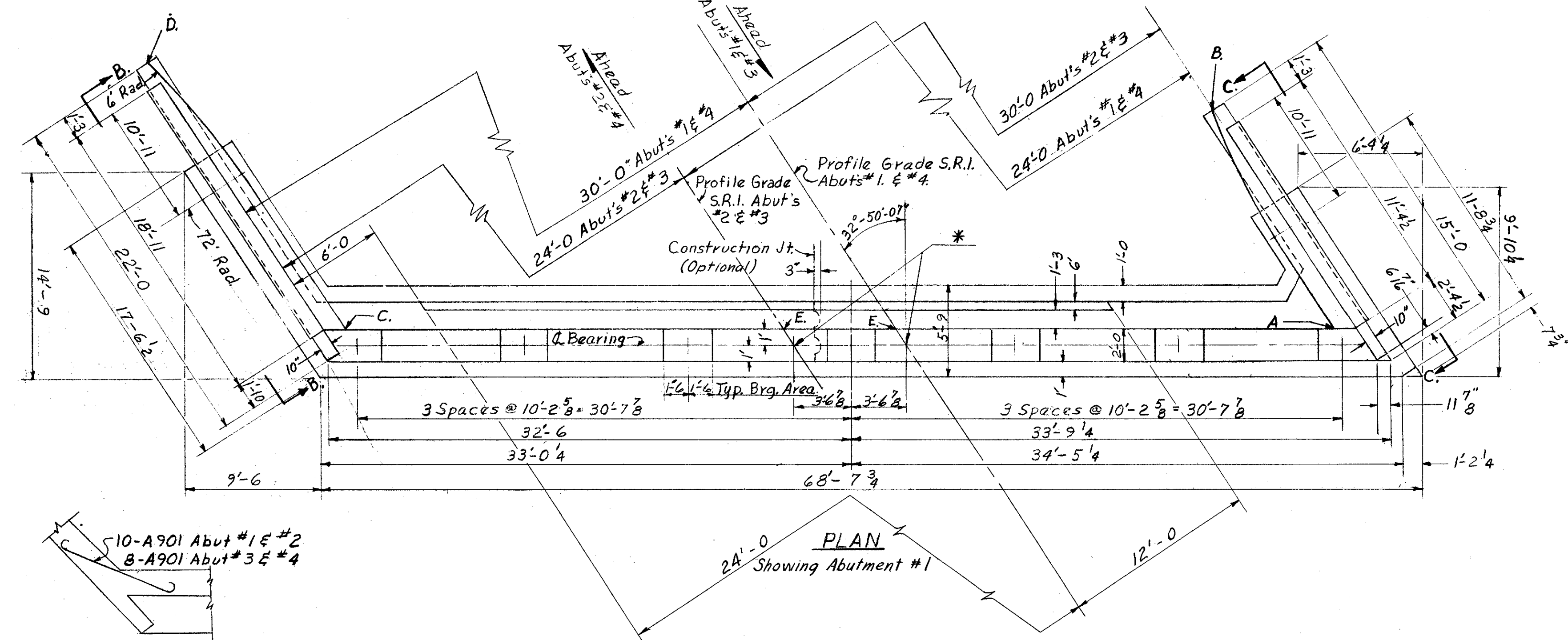
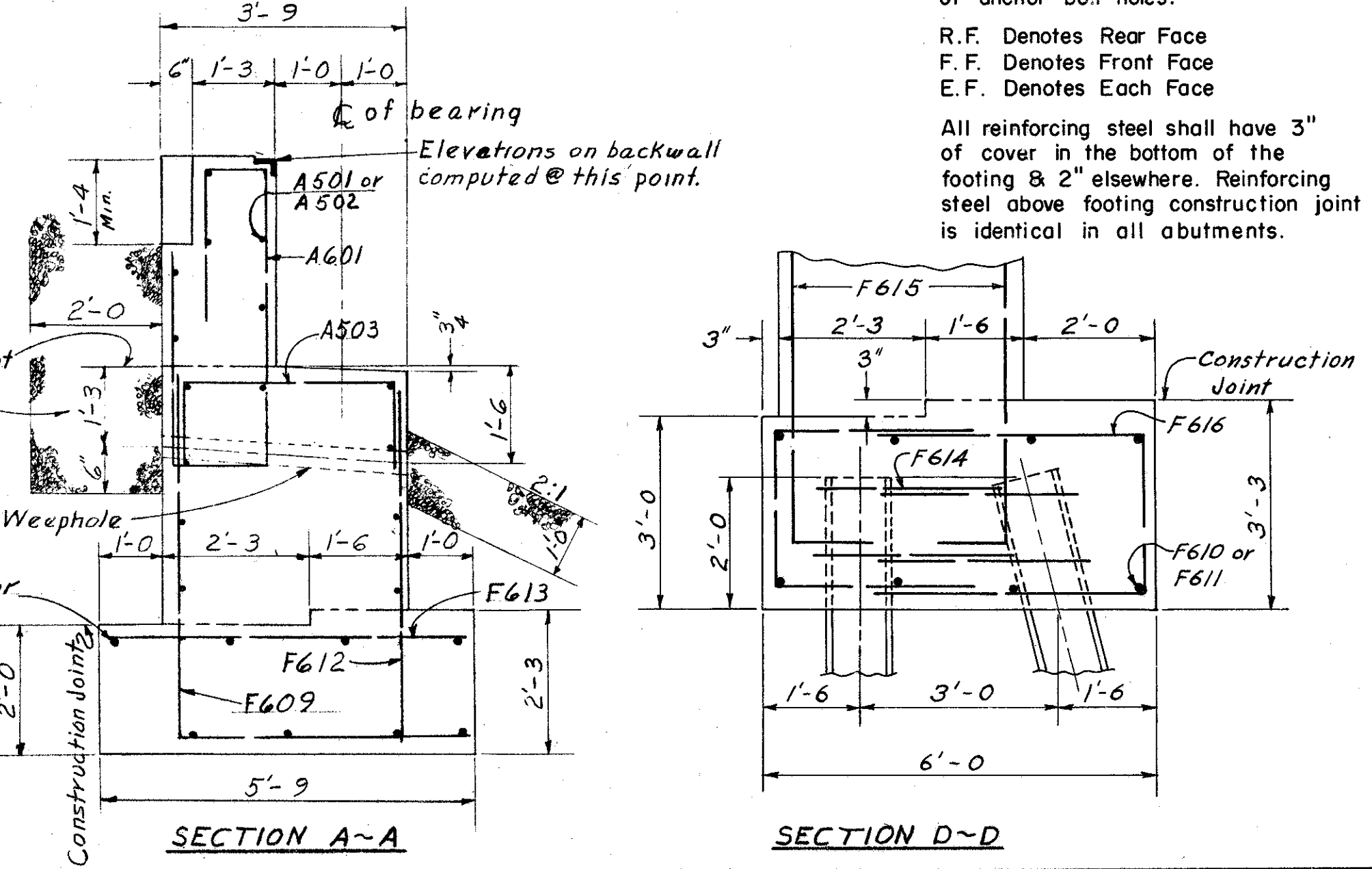
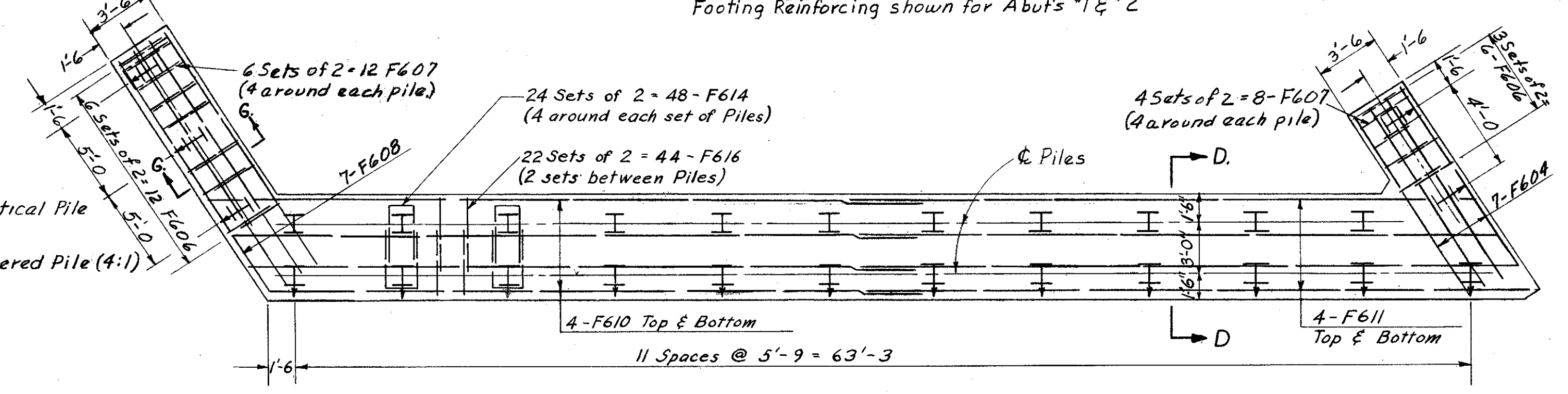
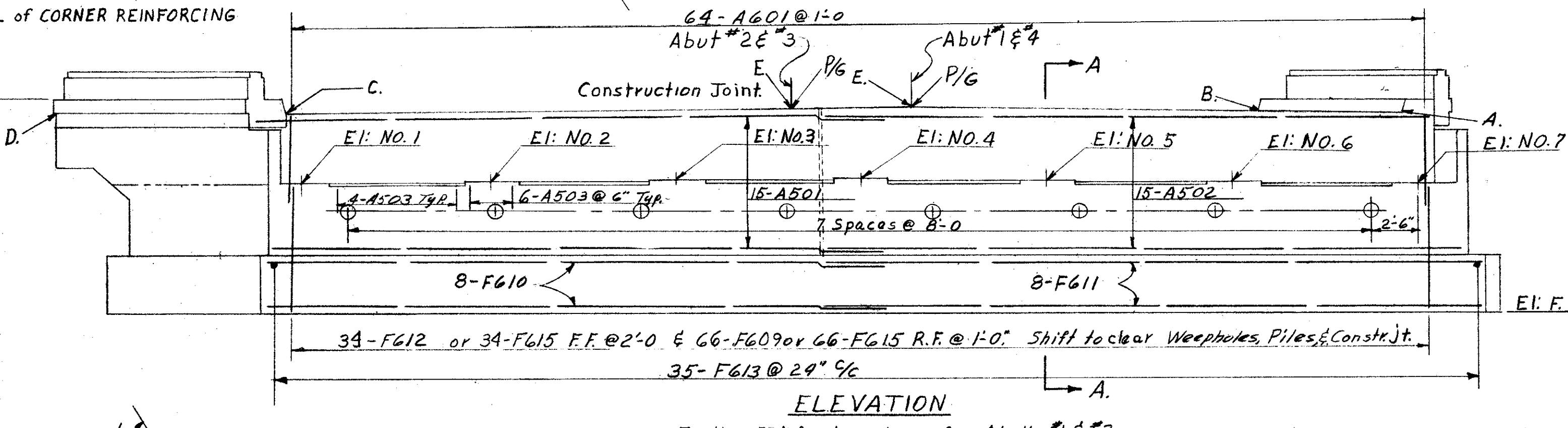


LAKE COUNTY  
SEC. LAK-1-10.38

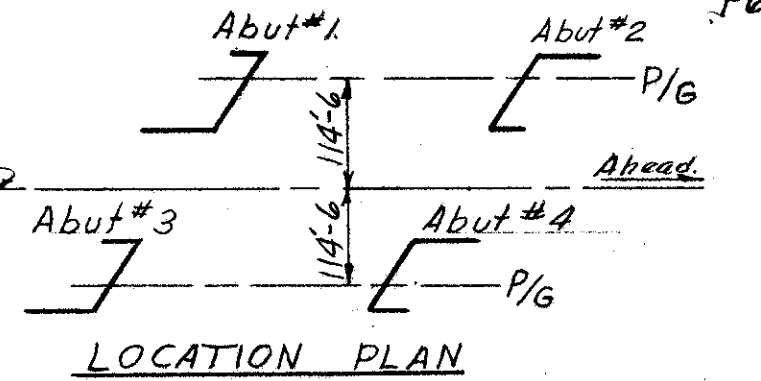


Special care shall be taken in placing the A503 bars under the bearing seats so they do not interfere with the drilling of anchor bolt holes.  
R.F. Denotes Rear Face  
F.F. Denotes Front Face  
E.F. Denotes Each Face  
All reinforcing steel shall have 3" of cover in the bottom of the footing & 2" elsewhere. Reinforcing steel above footing construction joint is identical in all abutments.



ELEVATIONS														
STATION *	LOCATION	NO. 1	NO. 2	NO. 3	NO. 4	NO. 5	NO. 6	NO. 7	A	B	C	D	E	F
318 + 73.54	Abut. # 1	839.27	839.36	839.46	839.55	839.45	839.28	839.11	843.05	843.06	843.22	843.22	843.52	831.00
320 + 05.54	Abut. # 2	838.26	838.41	838.57	838.66	838.54	838.44	838.34	842.27	842.02	842.18	841.99	842.62	830.00
317 + 13.76	Abut. # 3	840.90	840.96	841.03	841.01	840.81	840.63	840.43	844.38	844.33	844.84	844.99	845.03	833.50
318 + 69.76	Abut. # 4	839.01	839.19	839.36	839.55	839.54	839.45	839.37	843.29	843.12	842.94	842.60	843.53	832.00

NOTE:  
Abutments #1&2: Allowable foundation bearing pressure 6 tons per sq.ft. Actual Max. bearing pressure 2.4 tons per sq.ft. Footings at abutments #1&2 shall extend a minimum of 3" into shale, or to the elevation shown, whichever is lower.  
Abutments #3&4: Allowable load per pile and the actual Max. load per pile equals 25 tons.



SEC. C-31A

PREPARED BY  
CAPITOL ENGINEERING ASSOCIATES, DILLSBURG, PA.  
FOR

STATE OF OHIO  
DEPARTMENT OF HIGHWAYS  
DIVISION OF DESIGN AND CONSTRUCTION  
BUREAU OF BRIDGES

ABUTMENTS  
BRIDGE NO. LAK-1-1271 N&S  
S.R.I. OVER HERMITAGE ROAD  
LAKE COUNTY  
STA. 318 + 65.65

DESIGNED	DRAWN	TRACED	CHECKED	REVISED DATE	REVISED