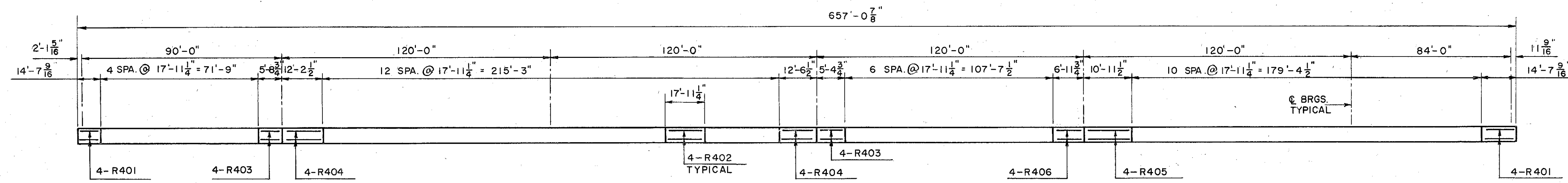


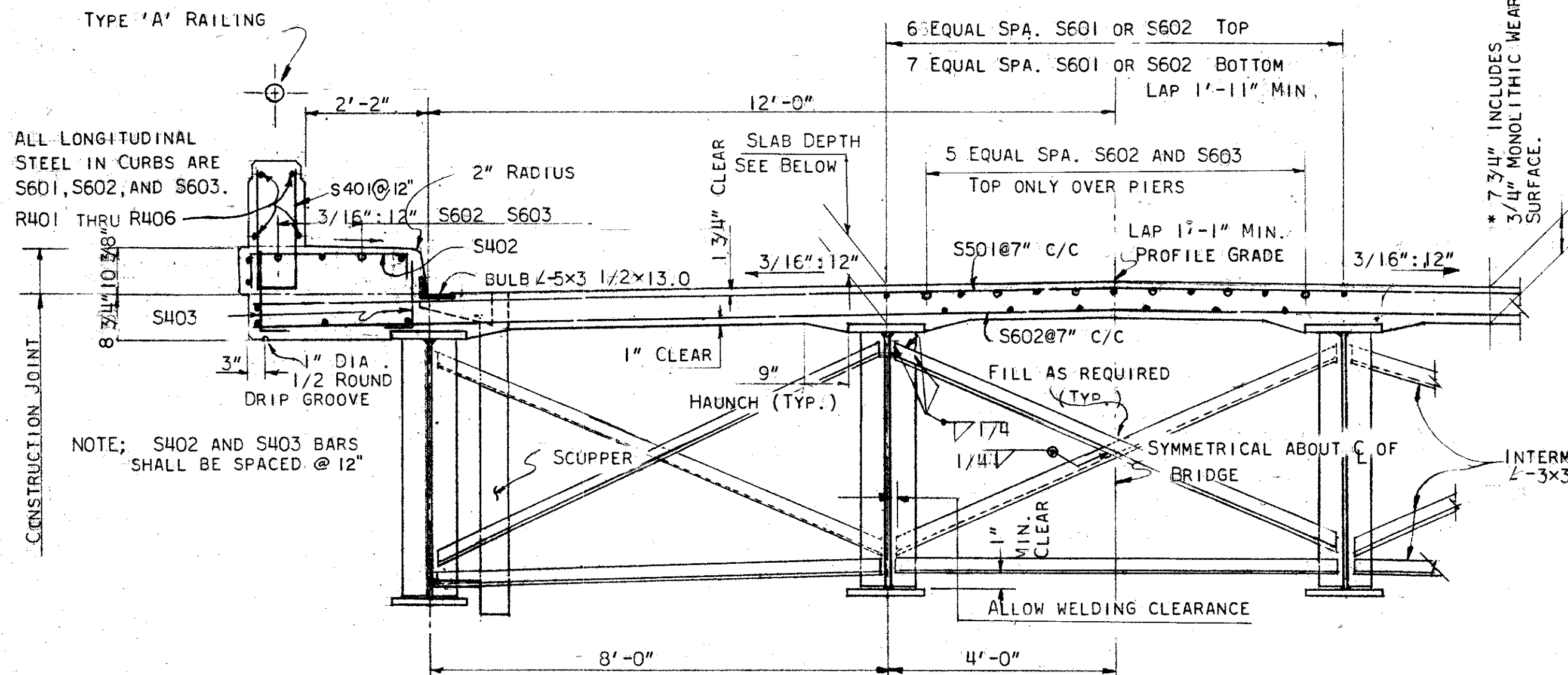
FED. RD. DIVISION	STATE	PROJECT
2	OHIO	

288
306

LAKE COUNTY
SEC. LAK-1-10.38

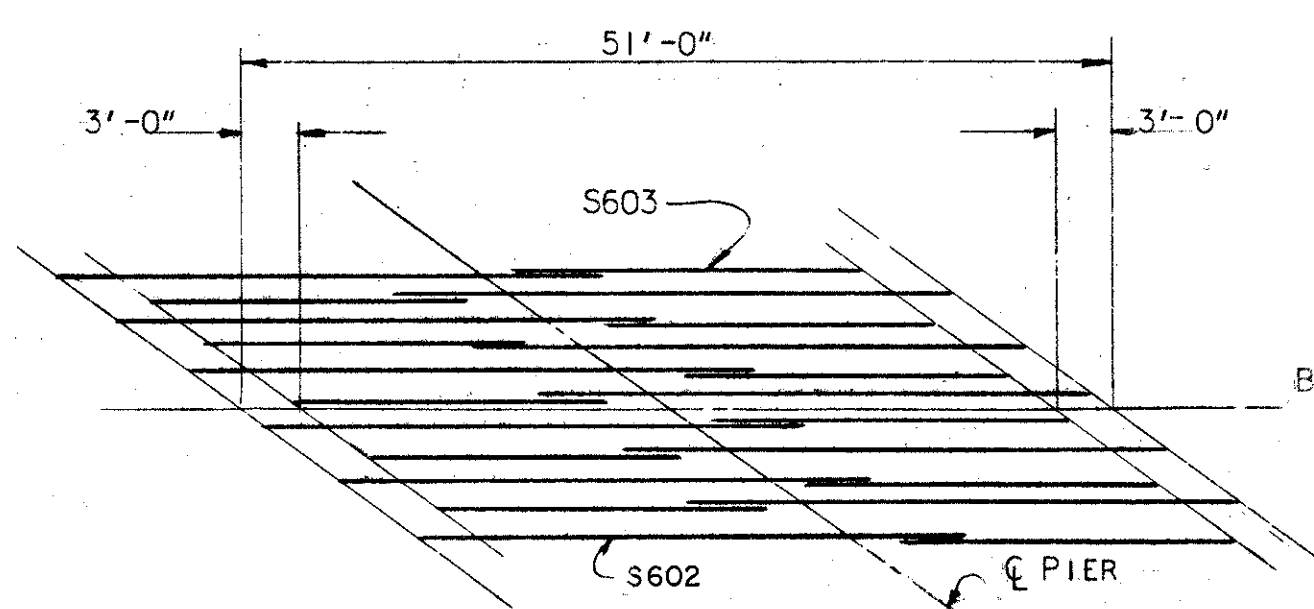


PLAN PARAPET PANEL SPACING AND REINFORCEMENT
RIGHT SIDE SHOWN, LEFT SIDE IDENTICAL

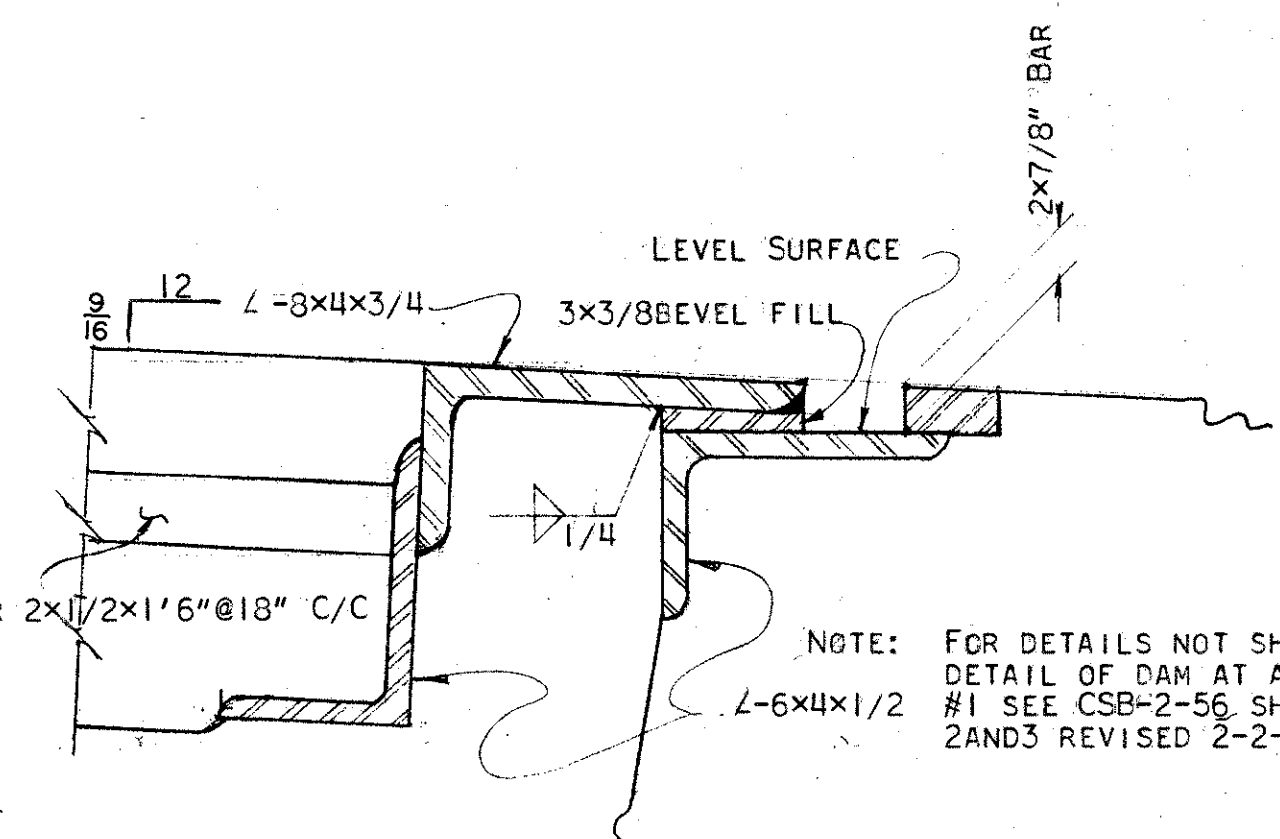


SECTION C-C
CONCRETE CLASS 'C'

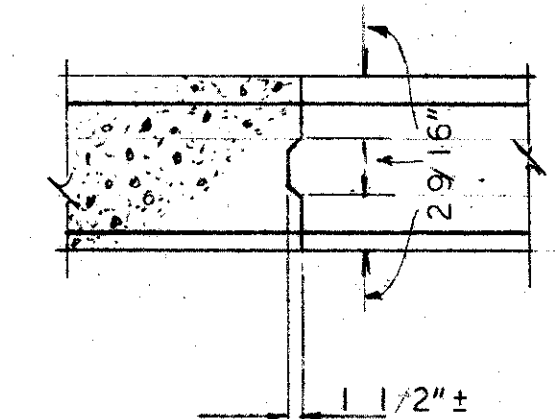
ABUT.	PIER	PIERS	PIER	SLAB DEPTH
#1,2	#1	#2,3,4	#5	7 7/8"
				7 1/8"
				6 7/8"
				7 3/8"



STAGGER DIAGRAM
S602 & S603 OVER PIERS
(22-- S602 & 22-- S603 OVER EACH PIER)
110 OF EACH REQUIRED

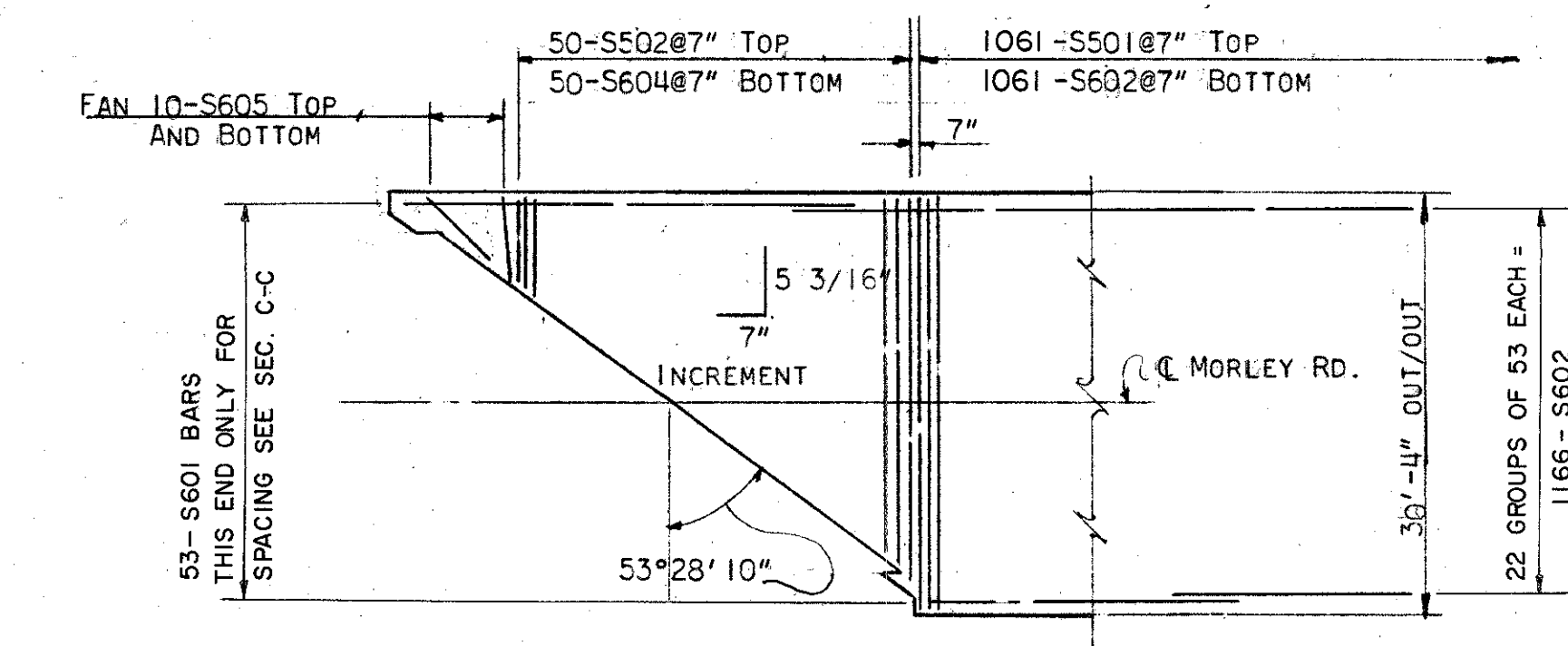


END DAM DETAIL ABUTMENT NO. 2

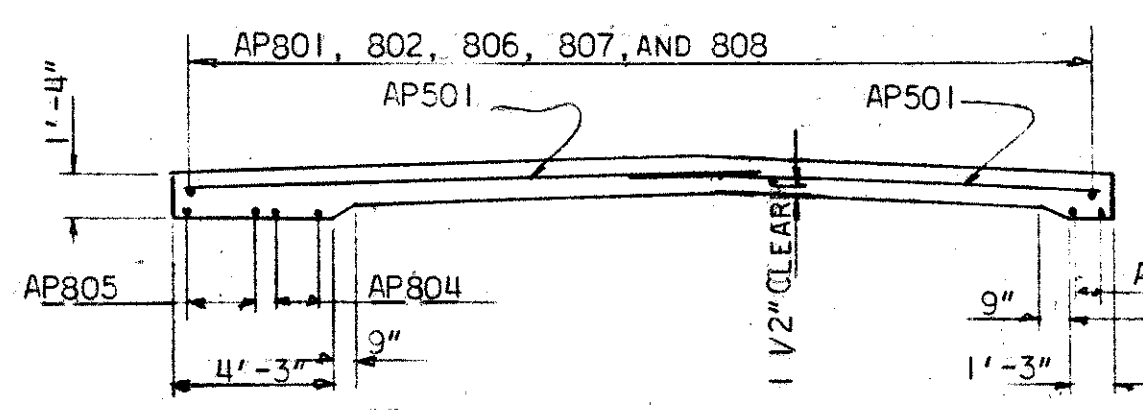


KEYED CONSTRUCTION JOINT

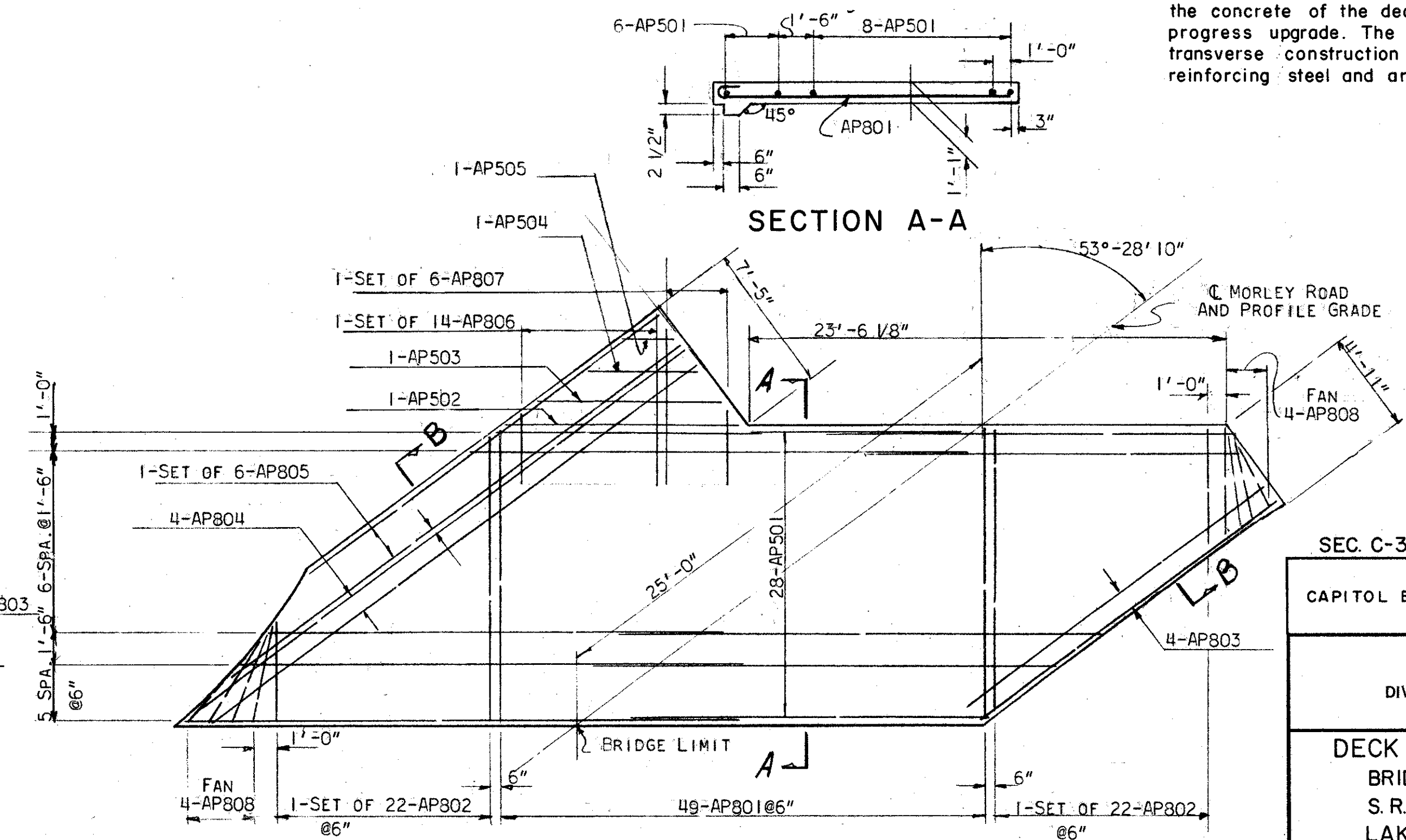
NOTES:
* Deck Slab Depth: This is the nominal dimension. The quantity of deck concrete to be paid for shall be based on this dimension, even though deviation from it may be necessary because the top flange of the beam may not have the exact camber or conformation required to place it parallel to the finished grade.
Concrete shall be Class C. Concrete & reinforcing steel above parapet construction joint included with railing for payment.
All reinforcing steel shall have a minimum of 2" of cover from all faces except as otherwise shown.
For details of Curb Plates, End Crossframe and Scuppers, see Standard Drawing CSB-2-56 Sheet No. 2 & 3 revised 2-2-59.



PART SLAB PLAN AT ABUTMENT NO. 1
SLAB PLAN OF ABUTMENT NO. 2 OPPOSITE HAND



NOTES:
APPROACH SLAB SHALL BE CLASS 'C' CONCRETE. THE REINFORCING IS INCLUDED IN REINFORCED CONCRETE APPROACH SLAB ITEM 1-7 AND IS NOT PAID FOR SEPARATELY. REFERENCE IS MADE TO STD. DWG. AS-1-54 REVISED 12-1-54.



APPROACH SLAB PLAN

SEC. C-31A

PREPARED BY
CAPITOL ENGINEERING ASSOCIATES, DILLSBURG, PA.
FOR

STATE OF OHIO
DEPARTMENT OF HIGHWAYS
DIVISION OF DESIGN AND CONSTRUCTION
BUREAU OF BRIDGES

DECK DETAILS & APPROACH SLAB
BRIDGE NO. LAK-1-1199
S.R.1 UNDER MORLEY ROAD
LAKE COUNTY

STA. 280+75.45

DESIGNED	DRAWN	TRACED	CHECKED	REVISED	DATE	REVISED
std.	Det		J.T.A.			3-1-60
OHIO div.	7-20-59					