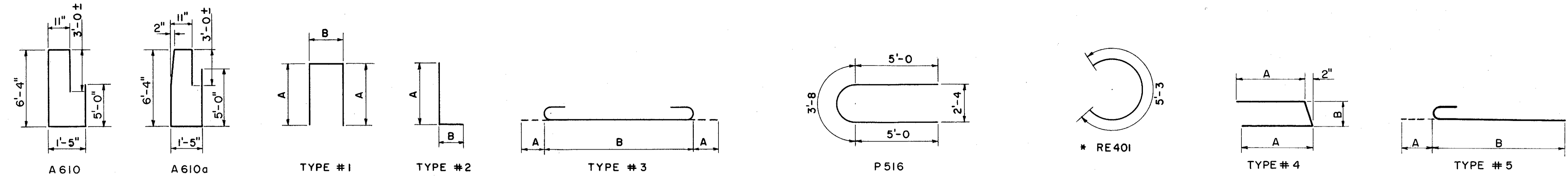


LAKE COUNTY  
SEC. LAK-1-10.38



REINFORCING STEEL LIST																																							
ABUTMENTS										SUPERSTRUCTURE										PIERS								REPLACEMENT BARS											
MARK	ABUT. #1	ABUT. #2	TOTAL	LENGTH	WEIGHT	TYPE	A	B	VARIABLES BY	No. OF EA.	MARK	No.	LENGTH	WEIGHT	TYPE	A	B	VARIABLES BY	No. OF EA.	MARK	PIER #1	PIER #2	PIER #3	PIER #4	PIER #5	TOTAL	LENGTH	WEIGHT	TYPE	A	B	MARK	No.	LENGTH	WEIGHT	TYPE			
A 601	16		16	19'-2"	461	Str.					S 501	724	30'-0"	22,654	Str.						P 601	36	36	18	36	36	162	6'-10"	1,663	3	8"	5'-6"	RE 400	1	5'-3		Str.		
A 602	14		14	12'-2"	254	Str.					S 501a	21	7'-1" to 28'-9"	392	Str.						P 602	9	9		9	9	36	7'-10"	423	3	8"	6'-6"	RE 401	1	5'-3		*		
A 503	33		33	4'-0"	138	2	3'-7"	6"			S 501b	15	7'-5" to 27'-10"	276	Str.						P 603						42	8'-10"	557	3	8"	7'-6"	RE 500	2	5'-7		Str.		
A 504	33		33	8'-10"	304	2	3'-4"	5'-7"			S 602	724	30'-0"	32,623	Str.						P 1004	24	24		24	24	96	6'-3"	2,582	2	5'-6"	1'-0"	RE 600	5	5'-11		Str.		
A 505	17		17	6'-4"	113	2	3'-4"	3'-1"			S 602a	21	7'-1" to 28'-9"	565	Str.						P 1105						32	7'-1"	1,204	2	6'-4"	1'-0"	RE 700	0	6'-3		Str.		
A 506	21		21	5'-7"	122	2	3'-7"	2'-1"			S 602b	15	7'-5" to 27'-10"	397	Str.						P 1006a	16					16	23'-2"	1,595	2			RE 800	0	6'-6		Str.		
A 507	66		66	7'-9"	534	Str.					S 602c	20	6'-0"	180	Str.						P 1006b	8					8	23'-10"	820	Str.			RE 900	0	6'-10		Str.		
A 508	33	34	67	7'-3"	507	1	2'-0"	3'-5"			S 603a	798	30'-0"	35,958	Str.						P 1006c		16				16	22'-9"	1,566	Str.			RE 1000	1	7'-3		Str.		
A 509	28		28	31'-11"	932	Str.					S 603b	57	42'-0"	3,596	Str.						P 1006d		8				8	23'-6"	809	Str.			RE 1100	1	7'-7		Str.		
A 610	31		31	16'-2"	753	Bent					S 604	105	32'-0"	5,047	Str.						P 1006e				16		16	20'-8"	1,423	Str.									
A 610a		34	34	16'-0"	817	Bent					S 405	1740	1'-8"	1,937	2	6"	1'-3"				P 1006f					8	8	21'-7"	742	Str.									
A 511a	16		16	9'-0"	150	Str.					S 406	870	3'-7"	2,082	1	6"	2'-9"				P 1006g					16	16	19'-0"	1,308	Str.									
A 511b	18		18	10'-0"	188	Str.					S 407	870	4'-4"	2,518	1	2'-0"	6"				P 1006h					8	8	20'-0"	688	Str.									
A 512a	6		6	13'-10"	87	Str.															P 1107a					20	20	21'-9"	2,311	Str.									
A 512b	6		6	15'-2"	95	Str.															P 1107b					12	12	22'-7"	1,440	Str.									
A 513a	7		7	13'-4"	97	Str.															P 508	28	28	28	28	28	140	7'-7"	1,107	1	2'-7"	2'-8"							
A 513b	7		7	15'-2"	111	Str.															P 1109	2	2	2	2	2	10	28'-10"	1,532	Str.									
A 514a	18		18	9'-8"	181	Str.															P 1110	2	2	2	2	2	10	29'-11"	1,589	Str.									
A 514b	20		20	10'-3"	214	Str.															P 611	4	4	4	4	4	20	10'-0"	300	Str.									
A 514c	4		4	7'-9"	32	Str.															P 512	2	2	2	2	2	10	26'-0"	271	Str.									
A 515a	34		34	5'-0"	177	Str.															P 1013	4	4	4	4	4	20	12'-0"	1,033	Str.									
A 515b	28		28	3'-6"	102	Str.															P 1014	8	8	8	8	8	40	9'-4"	1,606	2	6'-10"	2'-9"							
A 416a	19	21	40	6'-9"	180	4	2'-10"	1'-3"													P 1115	4	4	4	4	4	20	23'-0"	2,344	Str.									
A 416b	6	6	12	5'-1"	41	4	2'-0"	1'-3"													P 516	6	6	6	6	6	30	13'-8"	427	Bent									
A 416c	6	6	12	3'-5"	27	4	1'-2"	1'-3"																															
A 417	27	29	56	6'-0"	224	1	2'-10"	6"																															
A 418	8	8	16	5'-0"	54	Str.																																	
A 419	12	12	24	3'-10"	62	Str.																																	
A 620	24		24	5'-10"	210	3	8	4'-6"																															
A 621		20	20	20'-0"	601	Str.																																	
A 622	60	60	120	10'-2"	916	1	2'-3"	6'-0"																															
A 523	68	68	136	7'-0"	496	2	6'-7"	6"																															
A 524	20	20	40	33'-7"	701	Str.																																	
A 525	44	44	88	9'-4"	428	1	4'-0"	1'-6"																															
A 626	22	22	44	8'-2"	268	1	2'-3"	4'-0"																															
A 627	16	16	32	13'-10"	332	Str.																																	
A 528a	8	8	16	11'-6"	96	Str.																																	
A 528b	8	8	16	10'-8"	89	Str.																																	
A 529a	21	21	42	8'-10"	193	2	8'-5"	6"																															
A 529b	18	18	36	9'-10"	185	2	9'-5"	6"																															
A 530a	6	6	12	16'-2"	101	Str.																																	
A 530b	6	6	12	14'-5"	93	Str.																																	
A 531a	38	38	76	4'-9"	188	Str.																																	
A 531b	24	24	48	3'-6"	88	Str.																																	
A 532a	7	7	14	16'-2"	118	Str.																																	
A 532b	7	7	14	14'-2"	103	Str.																																	