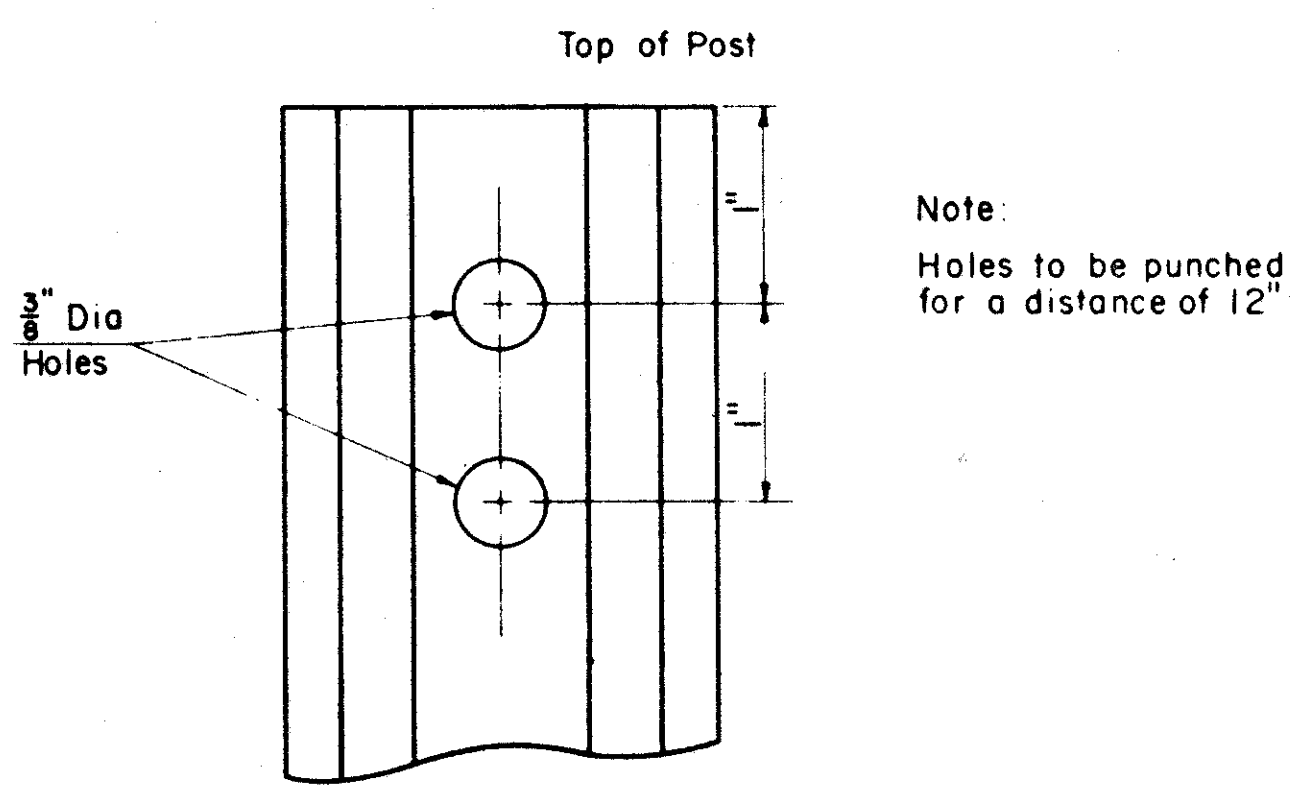


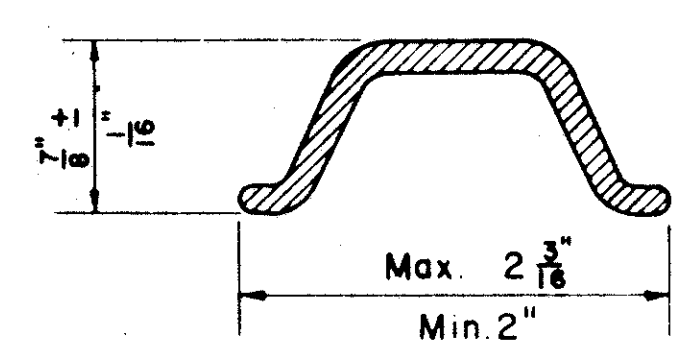
Note:
Monuments to be placed
by Contractor

DETAIL OF CENTERLINE REFERENCE MONUMENTS



Note:
Holes to be punched
for a distance of 12"

Length of Post 7'-6" ± 1/4"
No. Holes 12 per Post
Weight 1.12 lbs. per foot

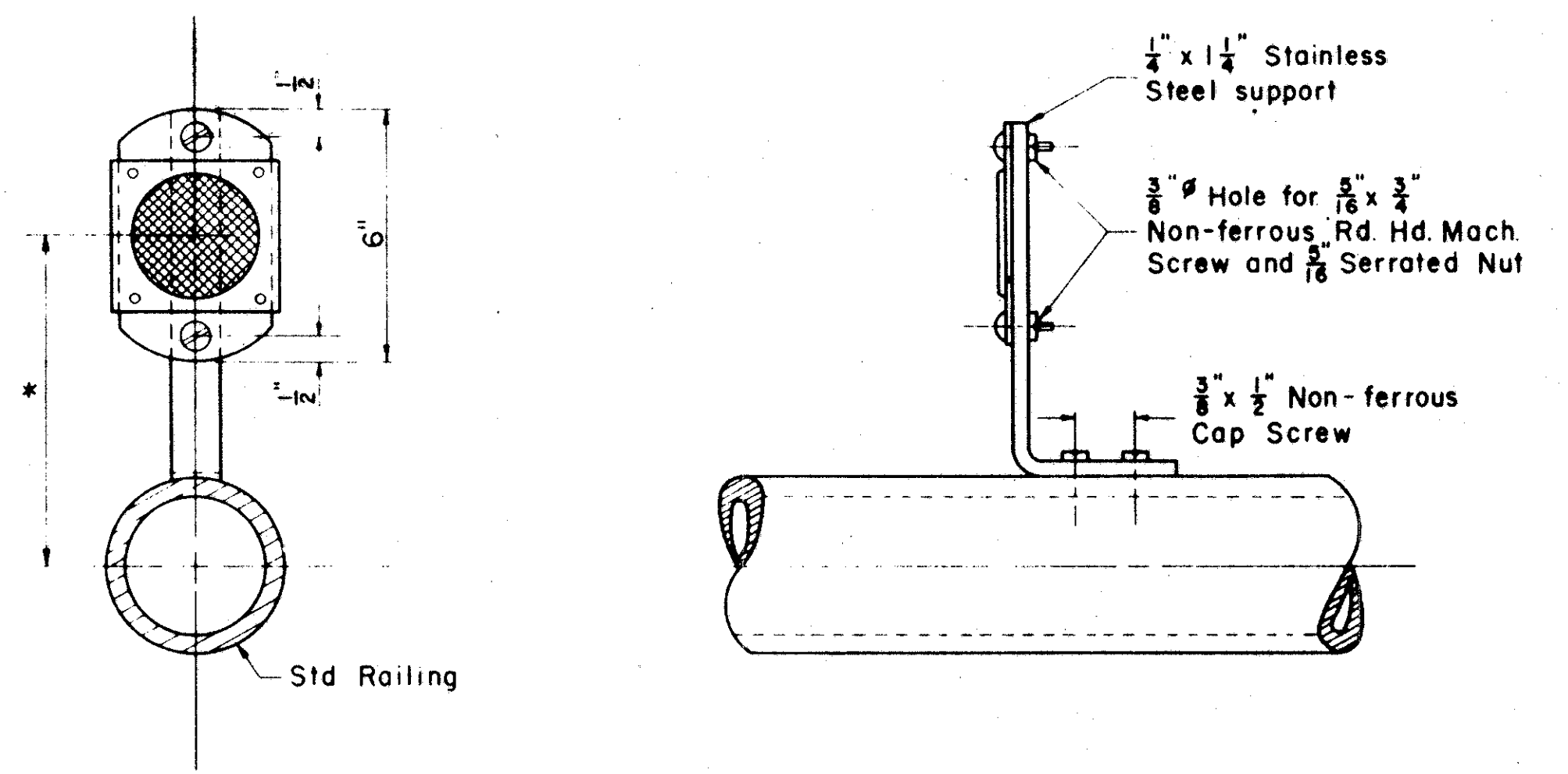


SECTION VIEW

DETAIL OF STEEL DRIVE POST FOR DELINEATOR

Note:
Delineators have been estimated
at intervals of 200 lin. ft. along
the right side of each pavement.
The actual spacing to be used
will be determined at the time
of construction.

* Length of steel support shall be such
that the center of the delineator
will be 48" above the elevation of a
point in the bridge deck located 12'
from the face of the parapet.



DELINEATOR AND BRIDGE RAIL BRACKET