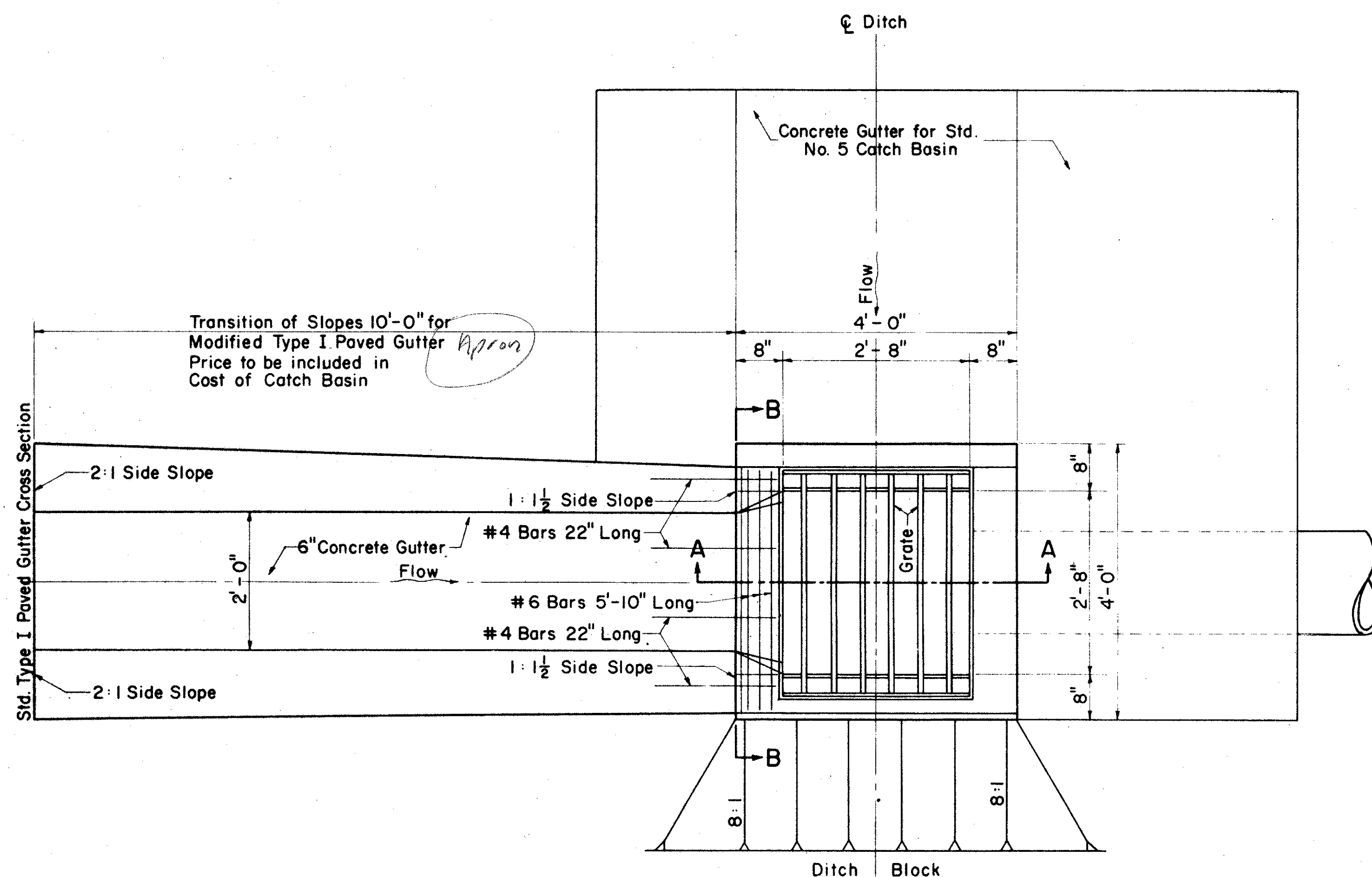


FED. RD. DIVISION	STATE	PROJECT	
2	OHIO		

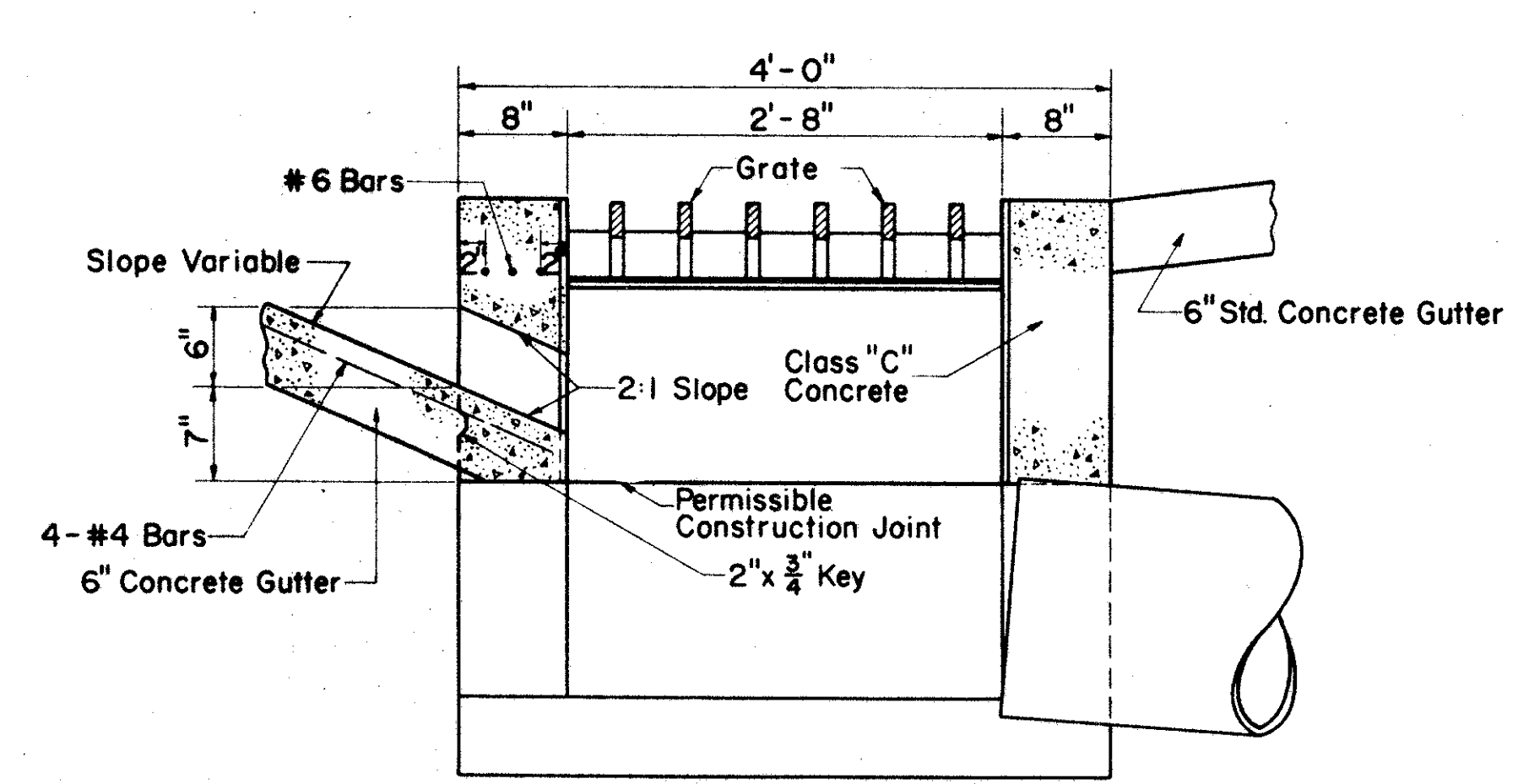
270
306

LAKE COUNTY
LAK-1-10.38

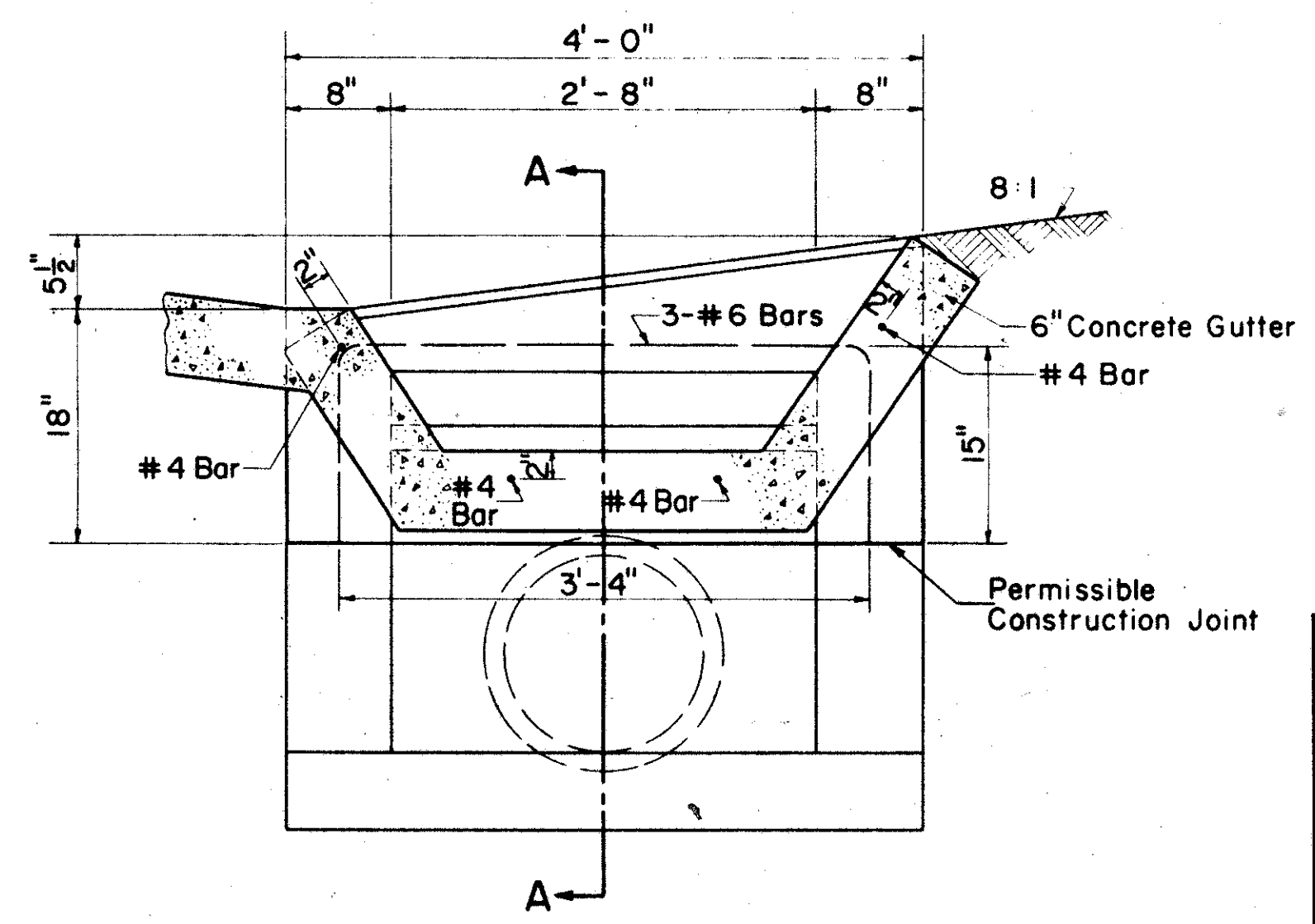


PLAN
SCALE: 3/4" = 1'-0"

NOTE:
Unless otherwise shown, Details and Notes shall conform to STANDARD DRAWING NO. I-8 C.B. No. 5.

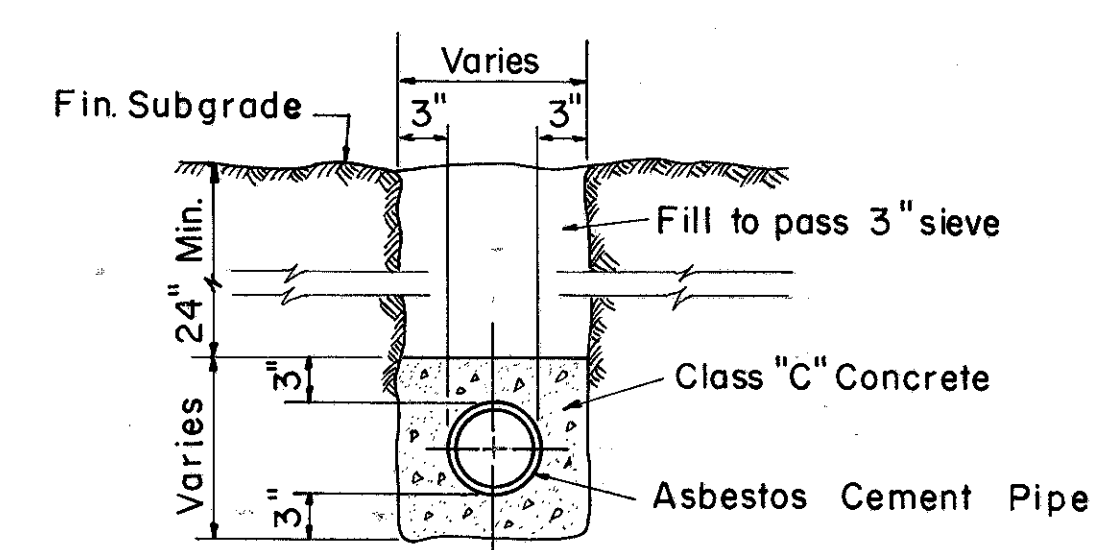


SECTION A-A
SCALE: 1" = 1'-0"

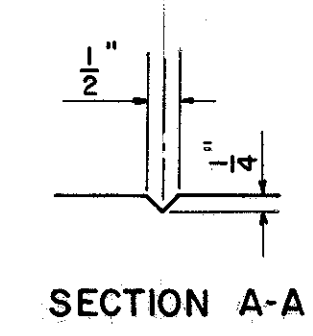


SECTION B-B
SCALE: 1" = 1'-0"

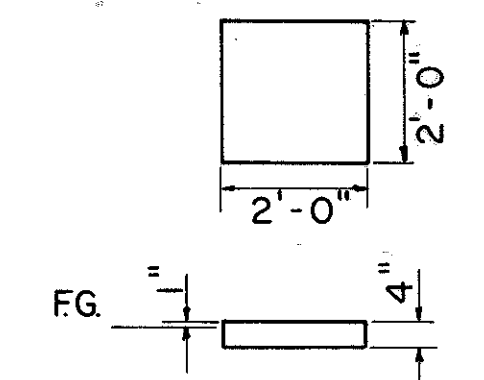
MODIFIED STANDARD NO. 5 CATCH BASIN WITH MODIFIED TYPE I PAVED GUTTER



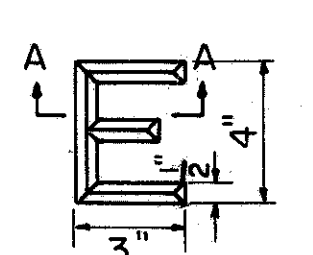
ONE WAY DUCT SECTION
SCALE: 1" = 1'



SECTION A-A



CONCRETE MARKER
SCALE: 3/8" = 1'



TYPICAL SYMBOL
SCALE: 3/8" = 1'

Dimensions shown are for all symbols impressed in Concrete Marker

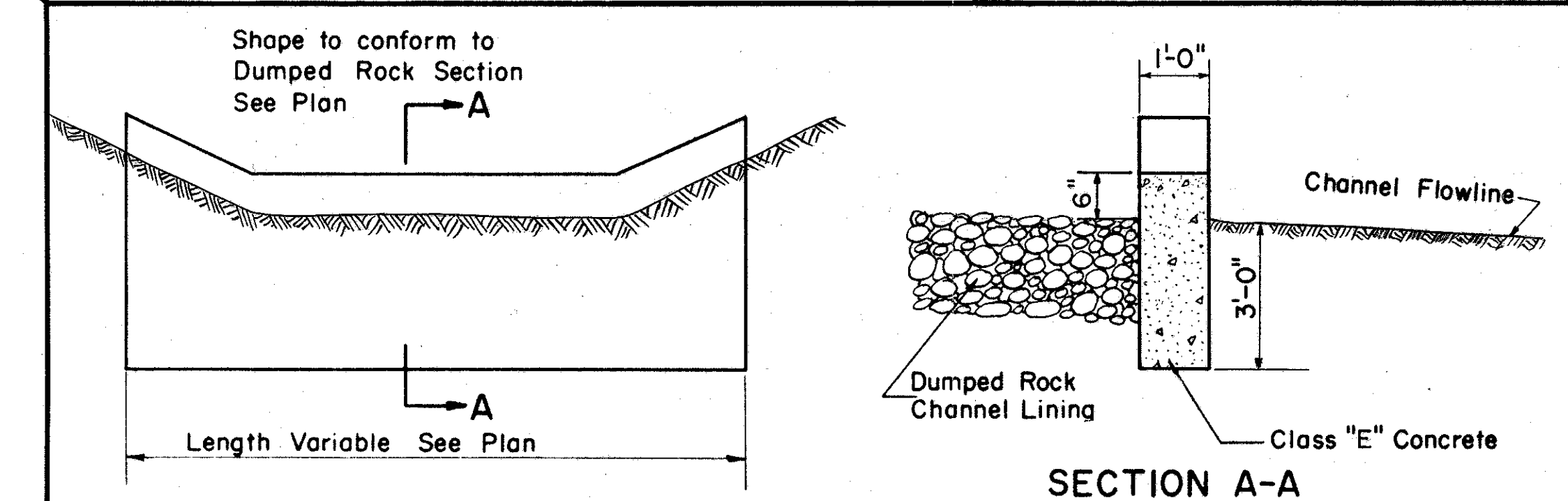
UNDERGROUND ELECTRICAL DUCT. Ducts shall be encased by Class C Concrete having a minimum thickness of three inches, shall have at least 24" cover below subgrade and shall be pitched to drain. Ends of ducts shall extend two feet beyond edge of shoulder pavement or back of curb. One No. 10 AWG galvanized steel drag wire shall be left in each duct and ends of ducts shall be closed with capped bushings

EXCAVATION AND BACKFILL. Excavation and backfill shall conform with the applicable provisions of Item E-2.

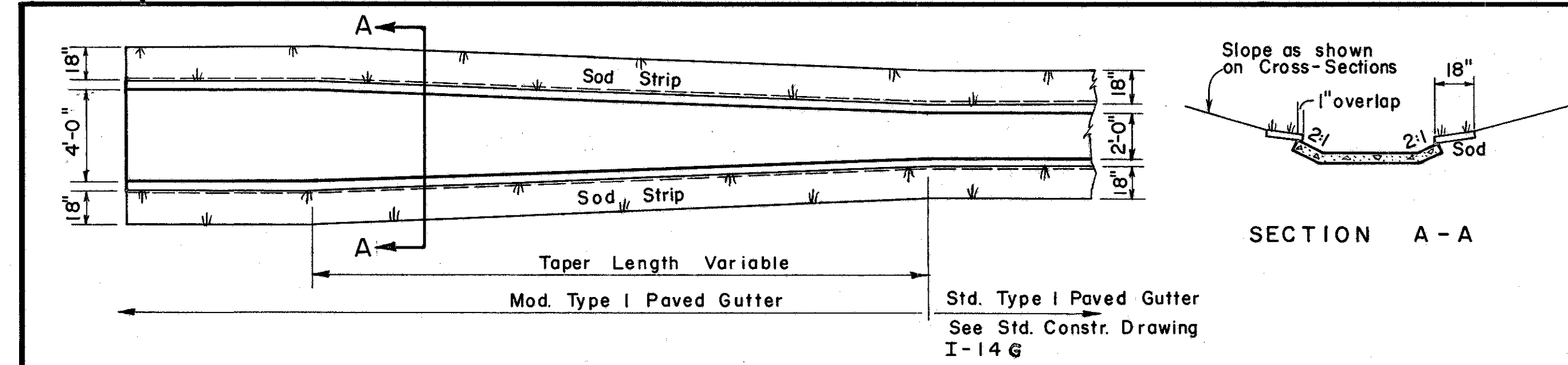
DUCT MARKERS. Concrete markers, manufactured in accordance with details shown on the plan shall be placed over each end of each underground duct. Markers shall be installed flat on the ground, projecting one inch above finished grade. Cost of furnishing and installing markers shall be included in the unit price bid for conduit.

Payment for all of the materials and work necessary to complete this item as described hereon shall be included in the unit price bid for Item S-25, Asbestos Cement Conduit, Sec. M-206.14, as per plan.

NOTE:
Impress the word "Duct" in the top of Concrete Marker using letters of the type and dimensions per details.



DETAIL CONCRETE END SILL
NOT TO SCALE



DETAIL OF SOD STRIP ALONG PAVED GUTTER & MODIFICATION OF TYPE I PAVED GUTTER FOR 4' BOTTOM WIDTH DITCH

DRAINAGE DETAILS AND UNDERGROUND ELECTRICAL DUCT DETAILS