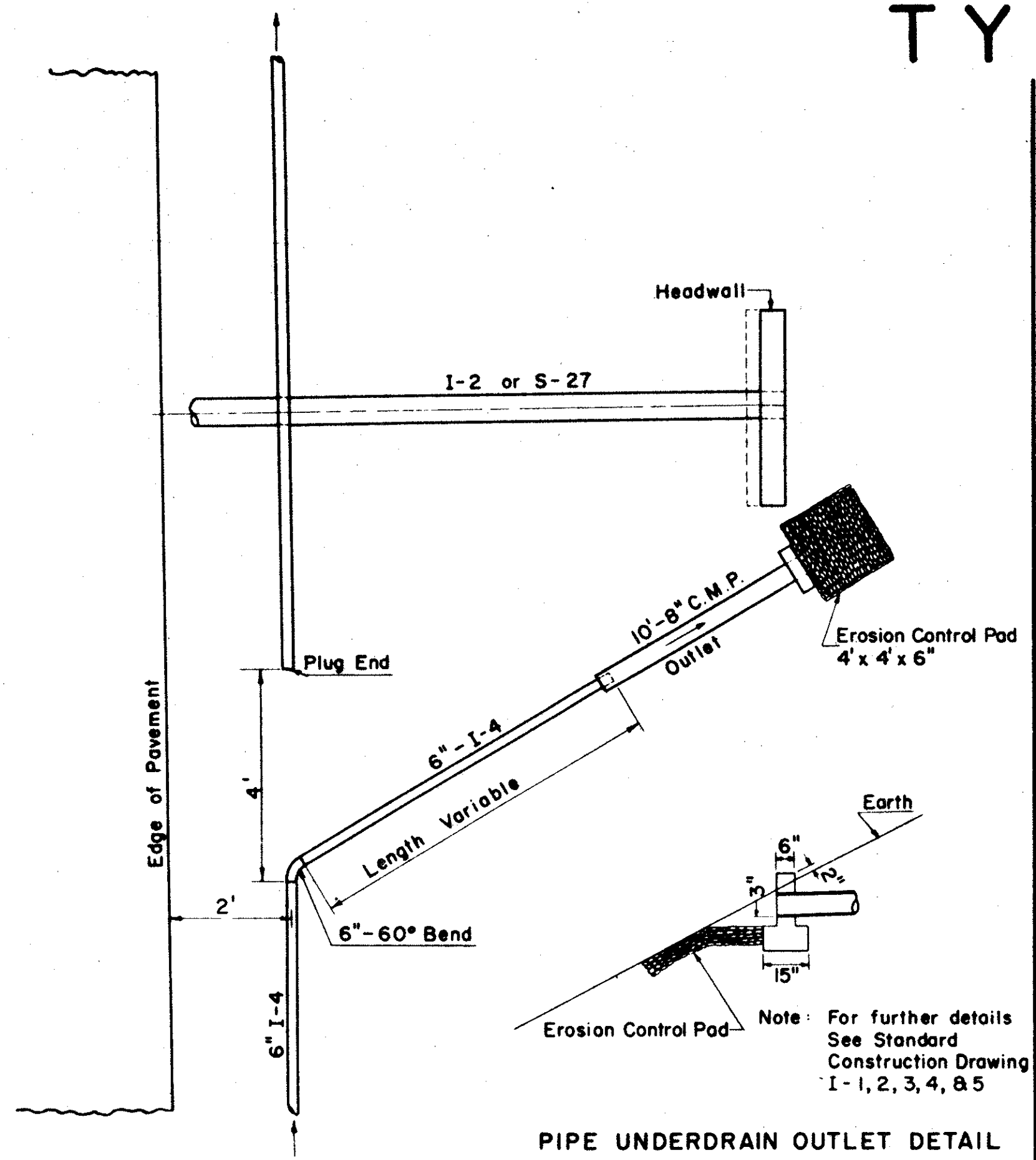


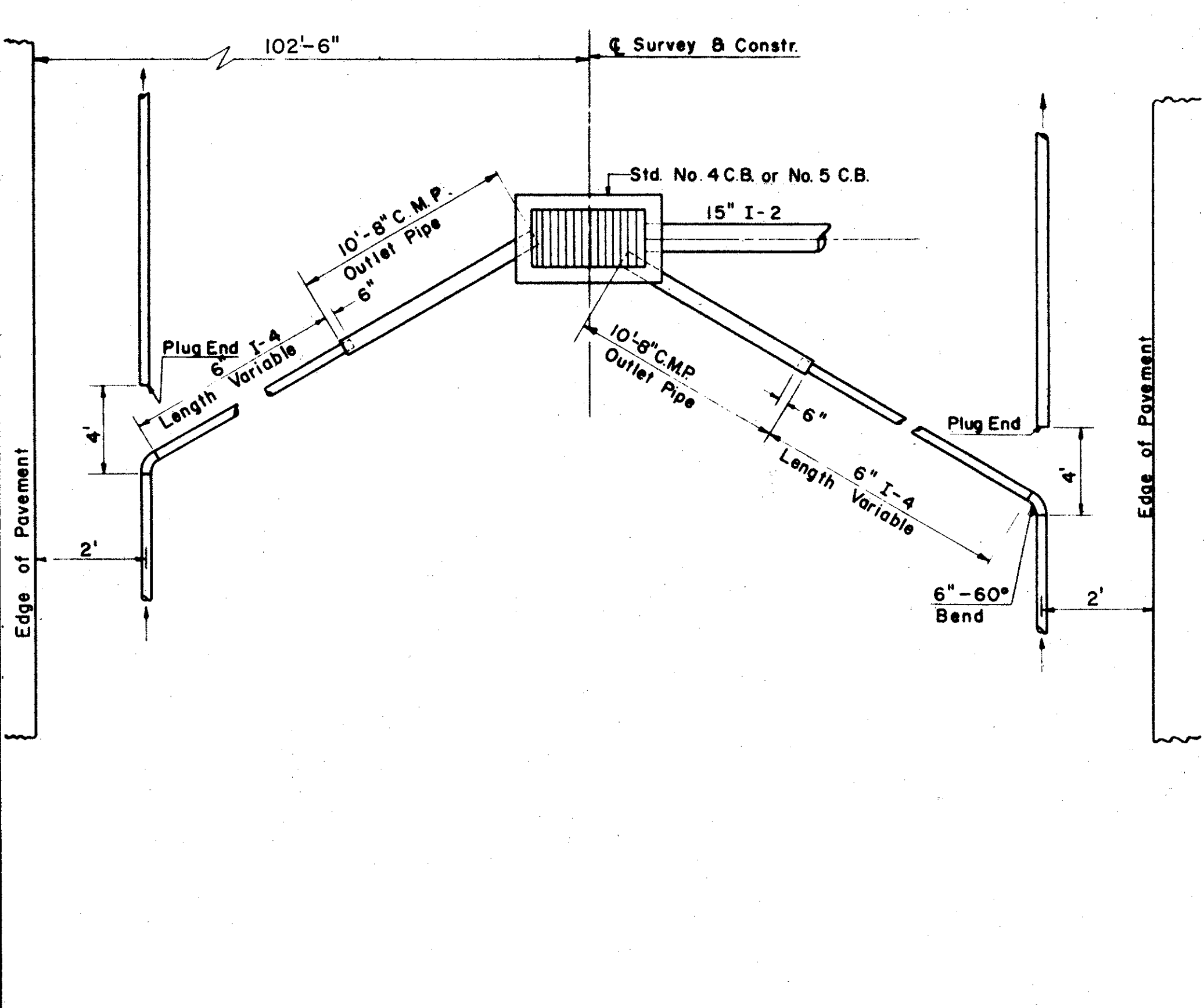
TYPICAL DETAILS I-4 & I-2

FED. RD. DIVISION	STATE	PROJECT	269 306
2	OHIO		

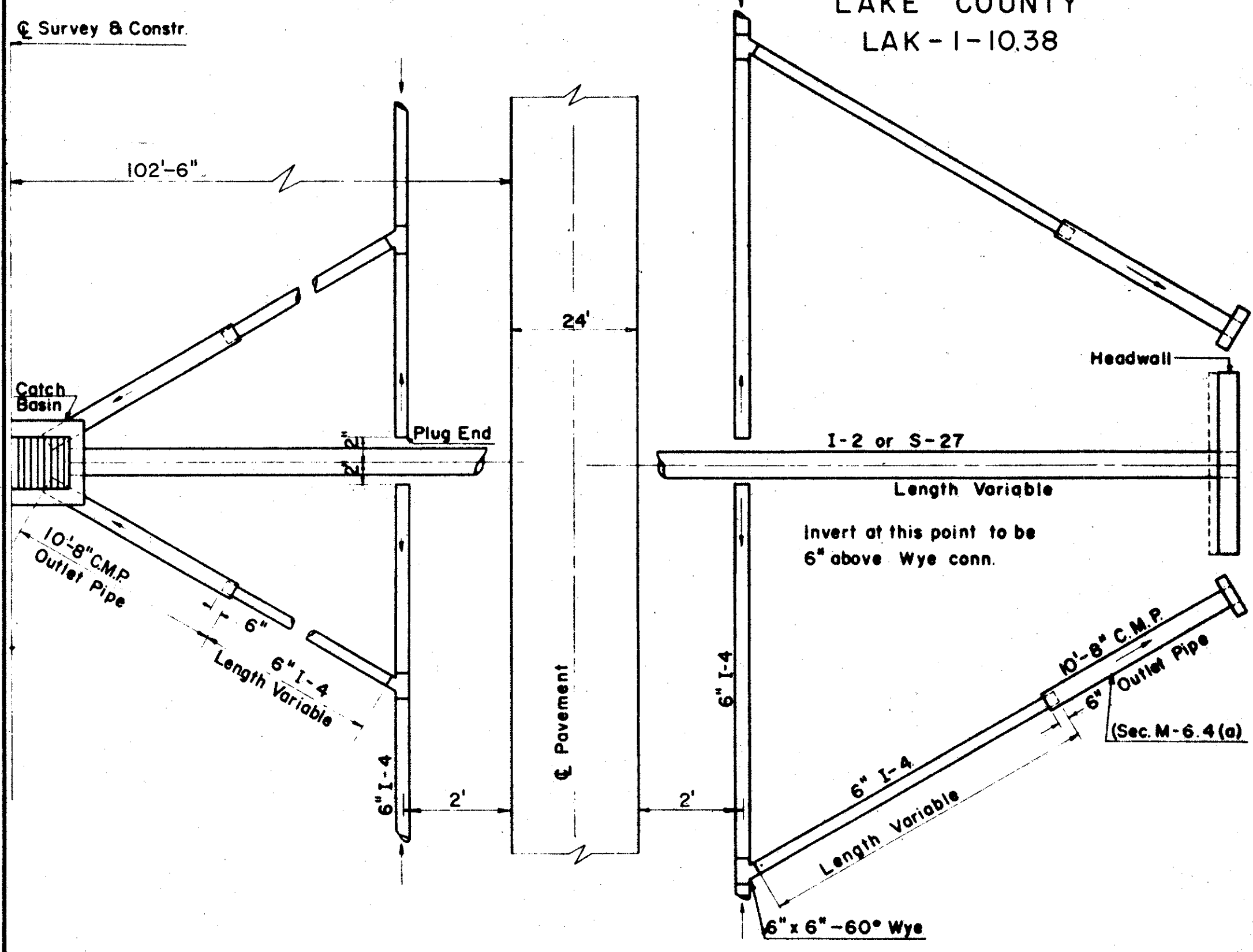
LAKE COUNTY
LAK-1-10.38



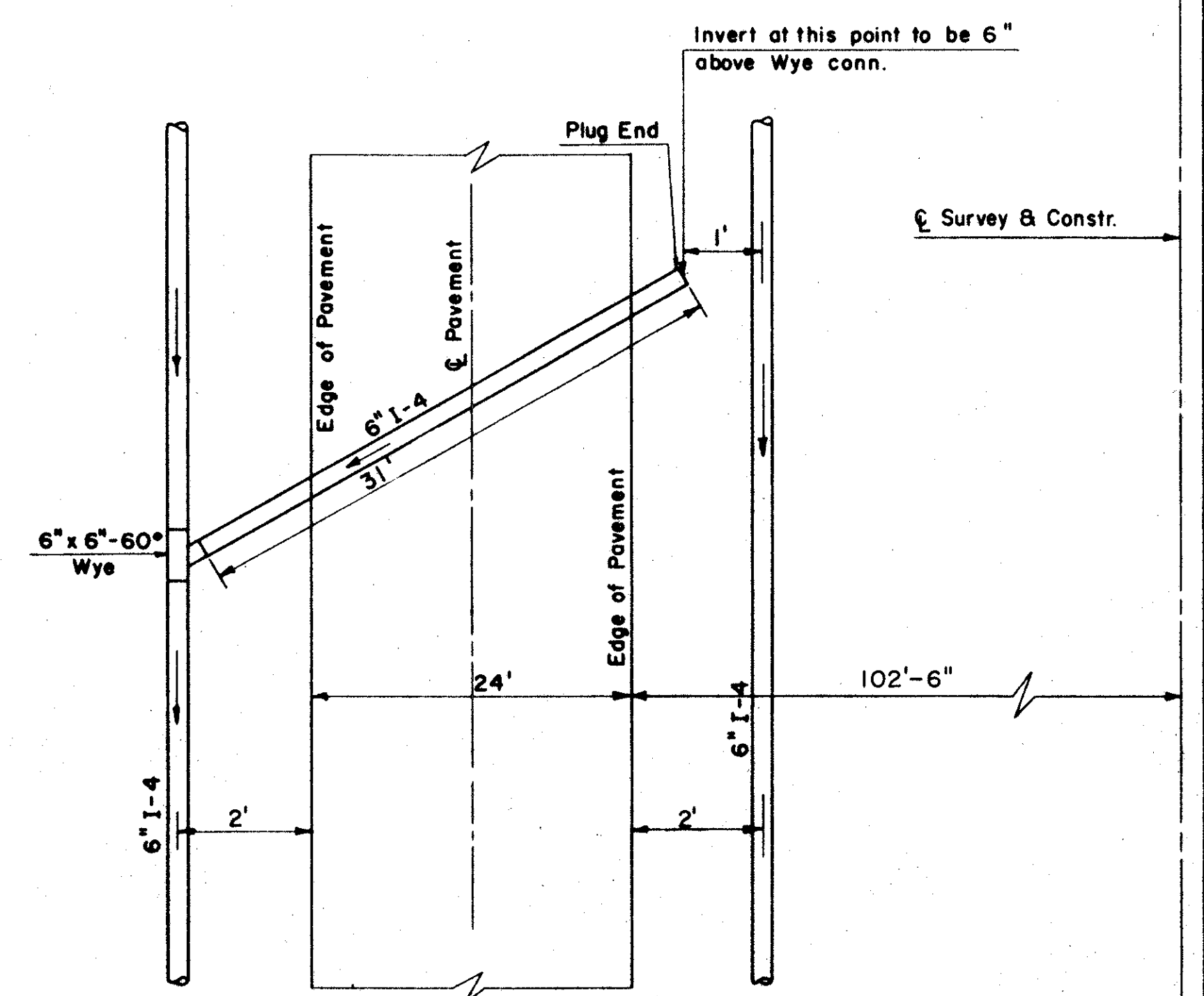
UNDERDRAIN OUTLET DETAIL A



UNDERDRAIN OUTLET DETAIL B

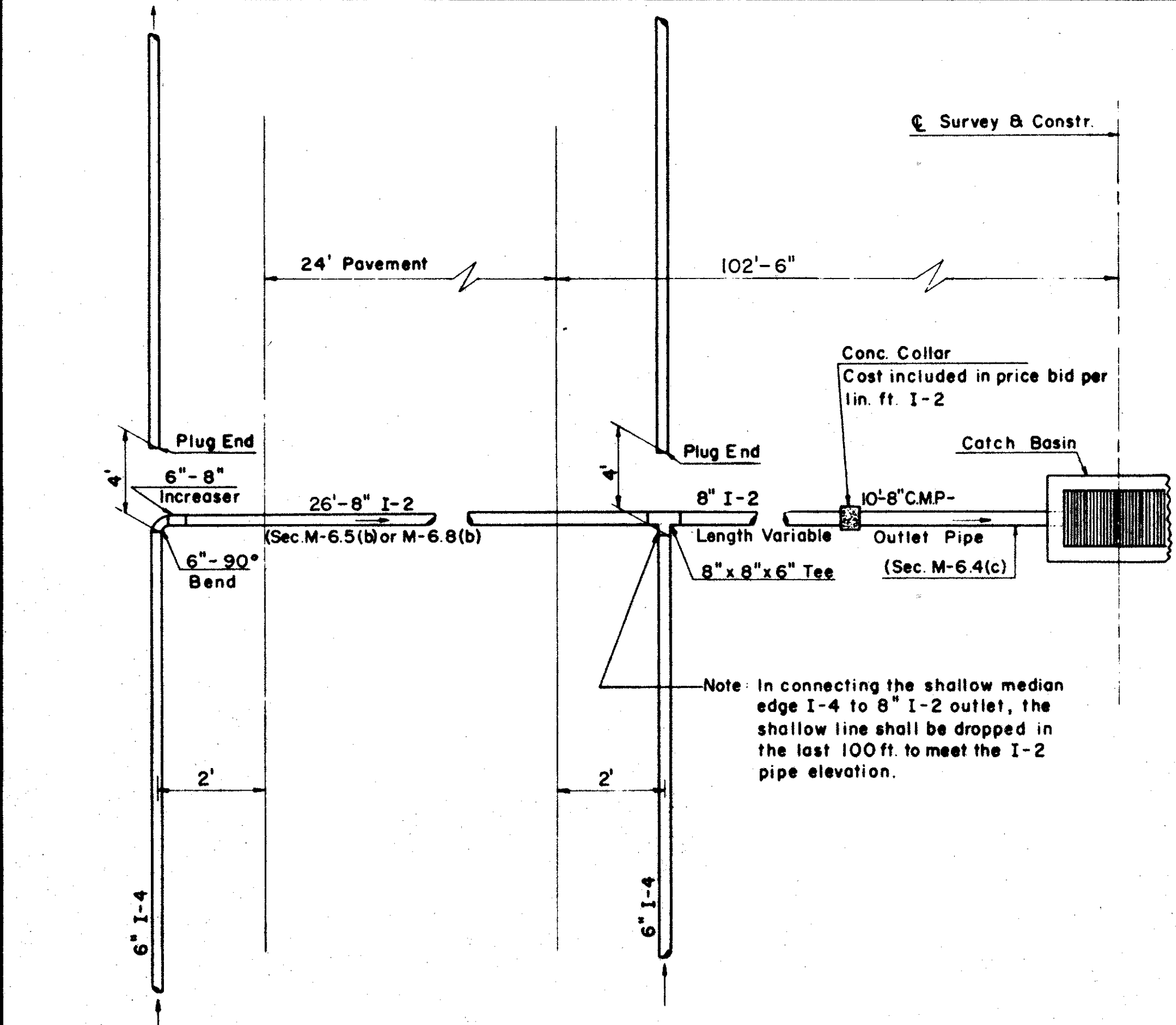


UNDERDRAIN OUTLET DETAIL C

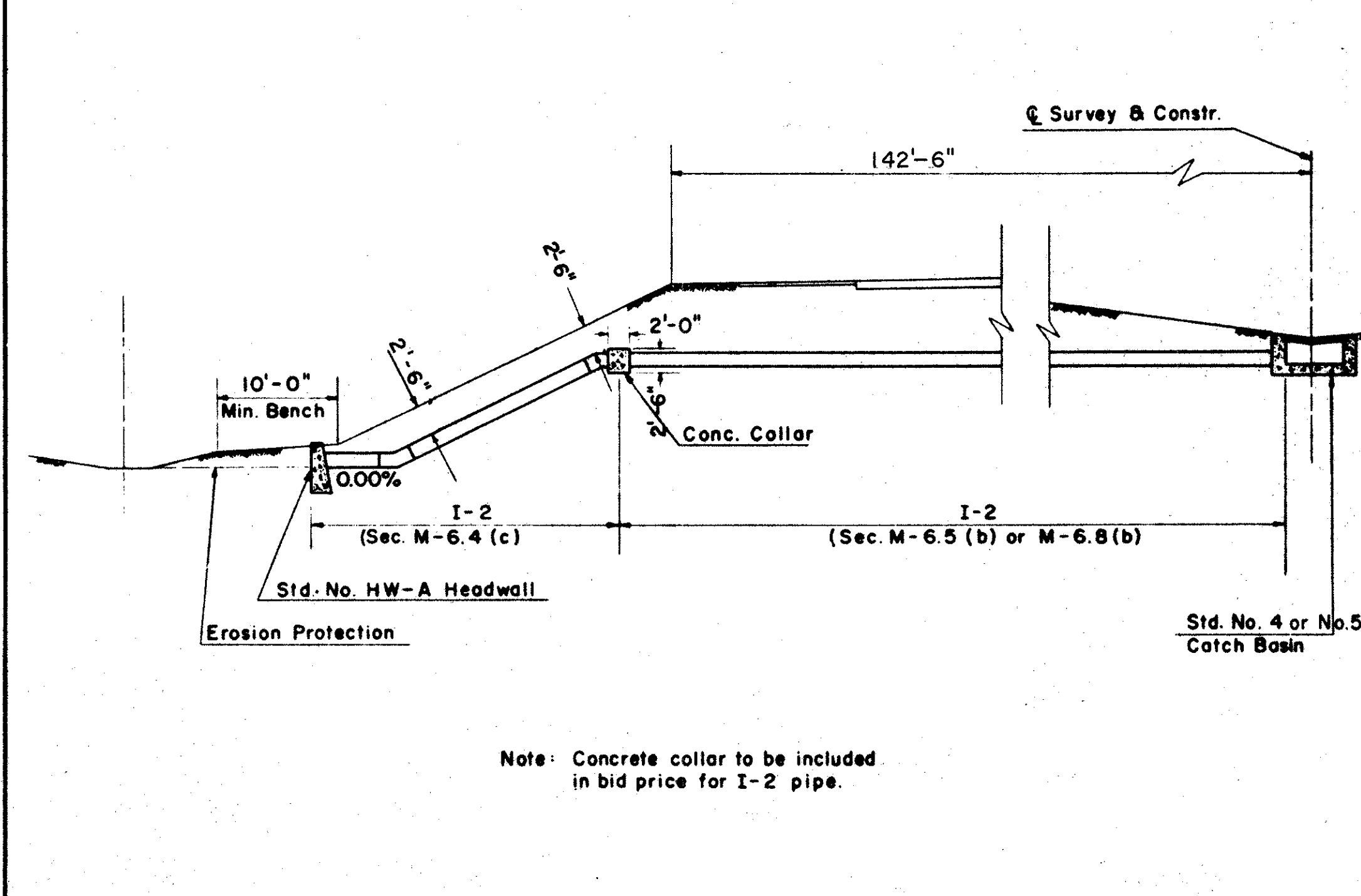


DETAIL I-4 CROSSOVER

CUT TO FILL SECTION



UNDERDRAIN OUTLET DETAIL E



MEDIAN OUTLET DETAIL IN HIGH FILL