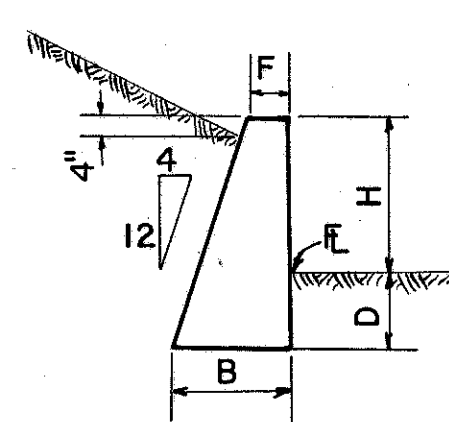


ELEVATION

HEADWALL DIMENSIONS

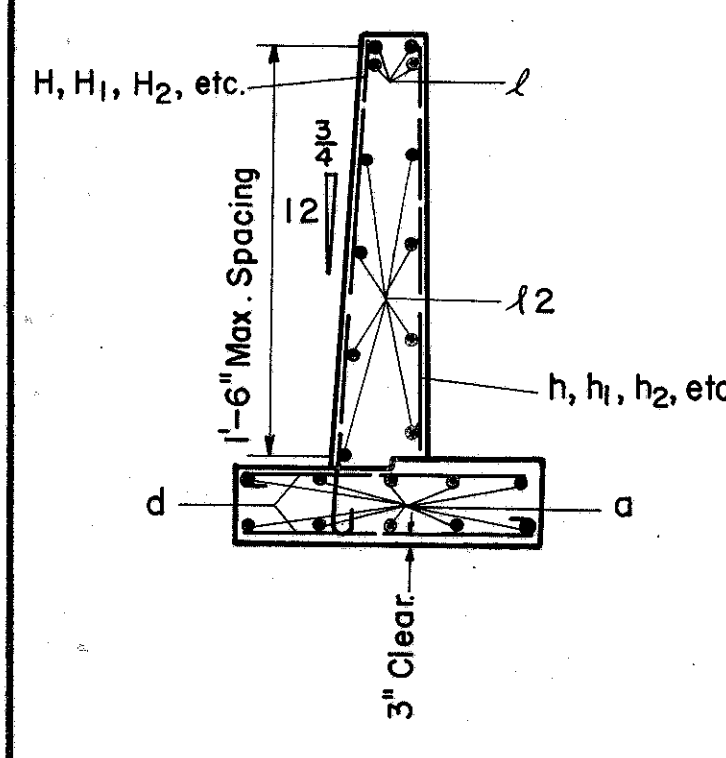
STRUCTURE NO.	STATION*	PIPE SIZE	H	L	L ₁	L ₂	W	A	B	C	D	E	F	G
LAK-1-1094	223+19 LT.	30"	3'-6"	7'-0"	6'-0"	3'-0"	—	—	3'-2"	—	3'-0"	—	1'-0"	2'-4"
LAK-1-1094	223+19 RT.	30"	3'-6"	6'-6"	5'-6"	2'-6"	—	—	3'-2"	—	3'-0"	—	1'-0"	1'-5"
LAK-1-1120	237+02 LT.	48"	5'-3"	11'-0"	9'-0"	4'-6"	4'-6"	1'-5"	—	—	3'-0"	—	1'-6"	3'-5"
LAK-1-1120	236+61 RT.	36"	4'-0"	6'-6"	7'-0"	3'-6"	3'-6"	1'-0"	—	—	3'-0"	—	1'-6"	2'-6"
LAK-1-1120	237+09 RT.	36"	4'-0"	7'-0"	7'-0"	3'-6"	3'-6"	1'-0"	—	—	3'-0"	—	1'-6"	2'-6"
LAK-1-1136	245+25 LT.	54"	5'-9"	9'-6"	10'-0"	5'-2"	4'-9"	1'-7 1/2"	—	—	3'-0"	—	1'-6"	3'-8"
LAK-1-1136	245+25 RT.	54"	—	—	—	—	Same as Left Side	—	—	—	—	—	—	—
LAK-1-1173	265+01 LT.	66"	6'-9"	11'-6"	13'-6"	7'-7"	5'-3"	1'-10 1/2"	—	—	3'-0"	—	1'-6"	4'-9"
LAK-1-1173	265+01 RT.	66"	6'-9"	11'-0"	16'-0"	10'-1"	5'-3"	1'-10 1/2"	—	—	3'-0"	—	1'-6"	5'-10"



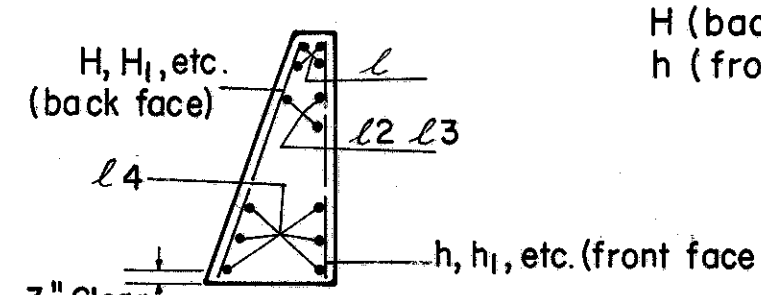
SECTION C-C

REINFORCING STEEL LIST & CONCRETE QUANTITIES

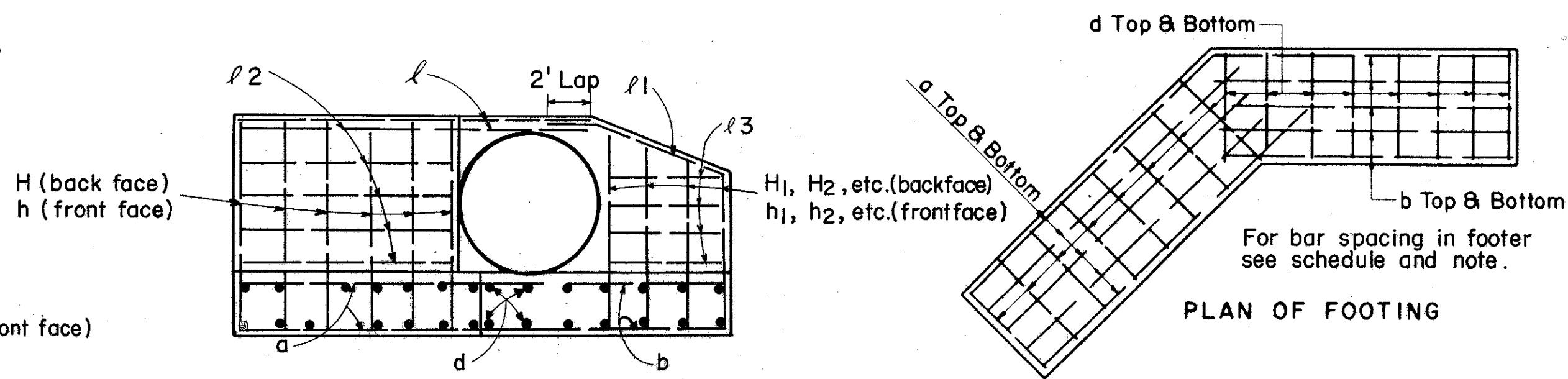
STRUCTURE NO.	STATION*	PIPE SIZE	SKEW	MARK NO.		MARK NO.		MARK NO.		MARK NO.		MARK NO.		MARK NO.		MARK NO.		MARK NO.		MARK NO.		MARK NO.		S-4* REINFORCING STEEL LBS.	S-1* CLASS "C" CONCRETE CU. YDS.	STRUCTURE DETAILS SHEET NO.																				
				a	b	c	d	l	l1	l2	l3	l4	H	H1	H2	H3	H4	h	h1	h2	h3	h4																								
LAK-1-1094	223+19 LT.	30"	30°	—	—	—	—	—	—	9'-10"	4	4'-10"	2	6'-8"	2	2'-8"	3	13'-6"	6	6'-2"	5	5'-11"	1	5'-5"	1	4'-11"	1	—	—	6'-1"	5	5'-11"	1	5'-5"	1	4'-11"	1	—	—	256	6.0	259				
LAK-1-1094	223+19 RT.	30"	40°	—	—	—	—	—	—	9'-3"	4	4'-4"	2	6'-2"	2	2'-2"	2	12'-10"	6	6'-2"	4	5'-11"	1	5'-0"	1	4'-0"	1	—	—	6'-1"	4	5'-11"	1	5'-0"	1	4'-0"	1	—	—	228	5.4	259				
LAK-1-1120	237+02 LT.	48"	25°	11'-8"	8	9'-8"	8	—	—	4'-9"	32	15'-4"	4	6'-4"	2	10'-8"	8	4'-2"	6	—	—	8'-3"	7	8'-3"	1	7'-8"	1	7'-1"	1	6'-7"	1	4'-11"	7	4'-11"	1	4'-4"	1	3'-9"	1	3'-3"	1	—	—	673	16.0	261
LAK-1-1120	236+61 RT.	36"	18°	6'-10"	8	7'-4"	8	—	—	3'-9"	22	9'-10"	4	5'-4"	2	6'-2"	6	3'-2"	6	—	—	7'-0"	5	7'-0"	1	6'-4"	1	5'-8"	1	—	—	3'-8"	5	3'-8"	1	3'-0"	1	2'-4"	1	—	—	400	8.1	261		
LAK-1-1120	237+09 RT.	36"	24°	7'-7"	8	7'-7"	8	—	—	3'-9"	22	10'-4"	4	5'-4"	2	6'-8"	6	3'-2"	6	—	—	7'-0"	5	7'-0"	1	6'-4"	1	5'-8"	1	—	—	3'-8"	5	3'-8"	1	3'-0"	1	2'-4"	1	—	—	413	8.6	261		
LAK-1-1136	245+25 LT.	54"	21°	10'-3"	8	10'-9"	8	—	—	5'-0"	30	14'-2"	4	7'-0"	2	9'-2"	8	4'-10"	6	—	—	8'-9"	6	8'-9"	1	8'-1"	1	7'-5"	1	6'-10"	1	5'-5"	6	5'-5"	1	4'-9"	1	4'-1"	1	3'-6"	1	—	—	691	16.13	262
LAK-1-1136	245+25 RT.	54"	21°	—	—	—	—	—	—	—	—	—	—	—	—	—	—	—	—	—	—	—	—	—	—	—	—	—	—	—	—	—	—	—	—	—	—	—	—	—	—	—	—	691	16.13	262
LAK-1-1173	265+01 LT.	66"	17°	12'-1"	10	14'-1"	10	—	—	5'-6"	38	17'-3"	4	9'-5"	2	11'-2"	10	7'-3"	8	—	—	9'-9"	7	9'-9"	1	9'-3"	1	8'-10"	1	8'-4"	1	6'-5"	7	6'-5"	1	5'-11"	1	5'-6"	1	5'-0"	1	—	—	1004	23.6	263
LAK-1-1173	265+01 RT.	66"	9°	11'-3"	10	16'-3"	10	—	—	5'-6"	42	16'-9"	4	11'-11"	2	10'-8"	10	9'-9"	10	—	—	9'-9"	7	9'-9"	1	9'-7"	1	9'-5"	1	9'-3"	1	6'-5"	7	6'-5"	1	6'-3"	1	6'-1"	1	5'-11"	1	—	—	1107	25.4	263



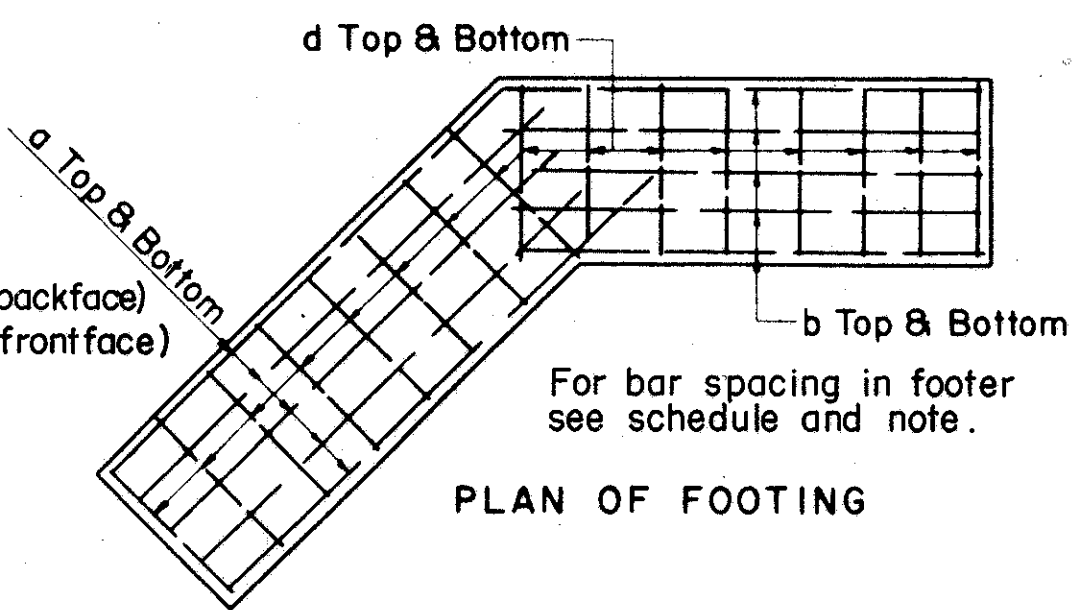
SECTION B-B



SECTION C-C



ELEVATION



PLAN OF FOOTING

MARK	SIZE	A*	B	C
ALL H BARS	VARIABLE	—	4 3/4"	4 1/4"
d	5/8	—	4 3/4"	4 1/4"

*Varies

NOTE:
For additional information see Std. Constr. Dwgs. Hdwl. A, B & C.
Mark l and l4 bars to be bent in field.

NOTE:
Variable length as shown is length of H bar shown above less 7 3/8"

*NOTE:
Quantities shown are for one Hdwl. Vertical Bars spaced @ 2'-0" c-c Max. Horizontal Bars spaced @ 1'-6" c-c Max.
Reinforcing shall have 2" clearance unless otherwise indicated.

TYPE B HEADWALL DETAIL