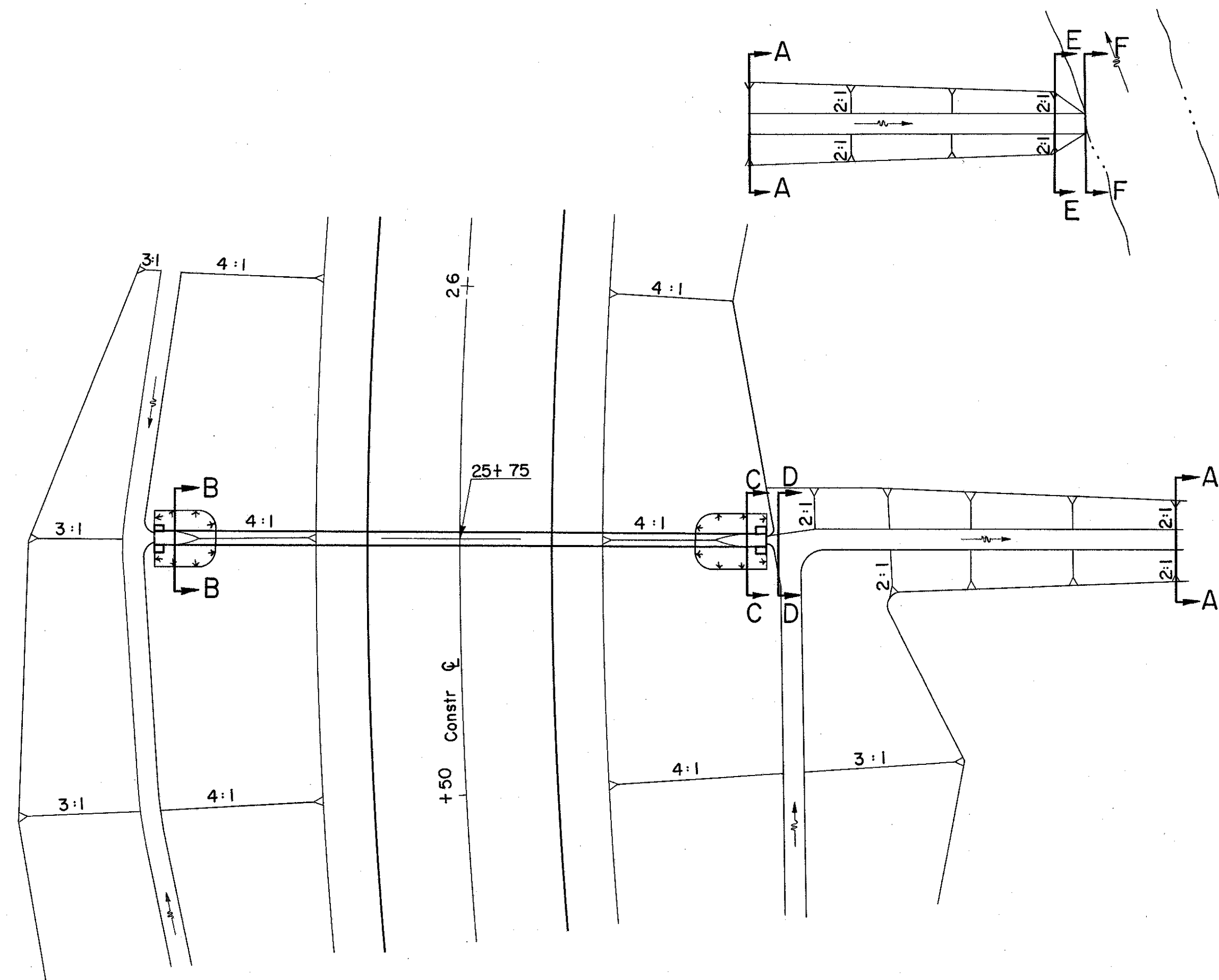
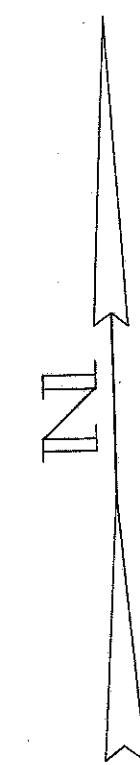


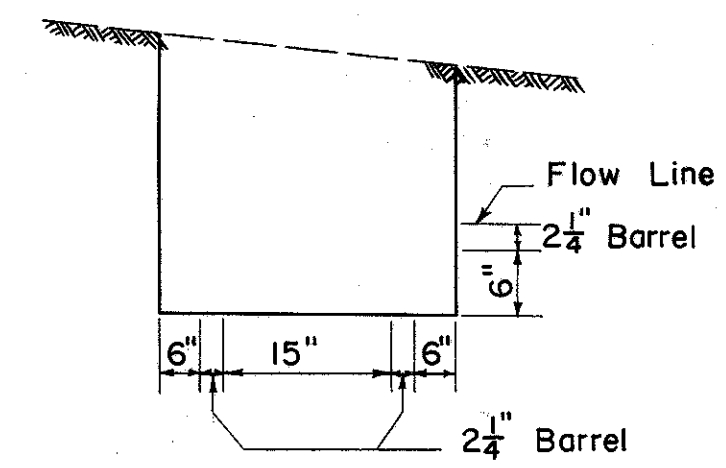
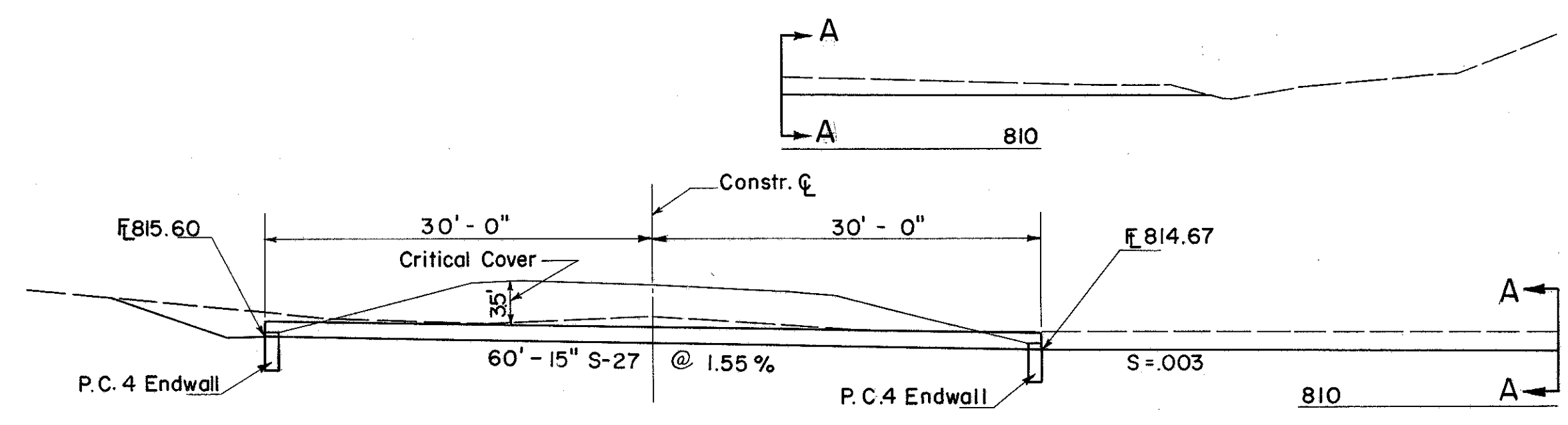
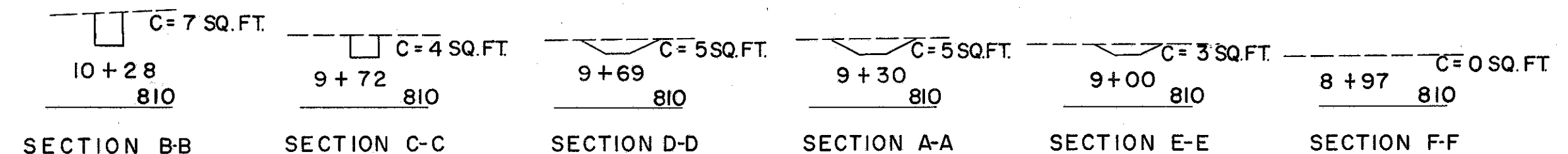
LAKE COUNTY  
LAK-1-1038



HEADWATER = 1.16 FT.  
OUTLET VELOCITY = 5.6 F.P.S.  
4.0 F.P.S.

SCALE: 1" = 10'-0"

AREA = 1.0 ACRE  
Q<sub>25</sub> = 3.6 C.F.S.



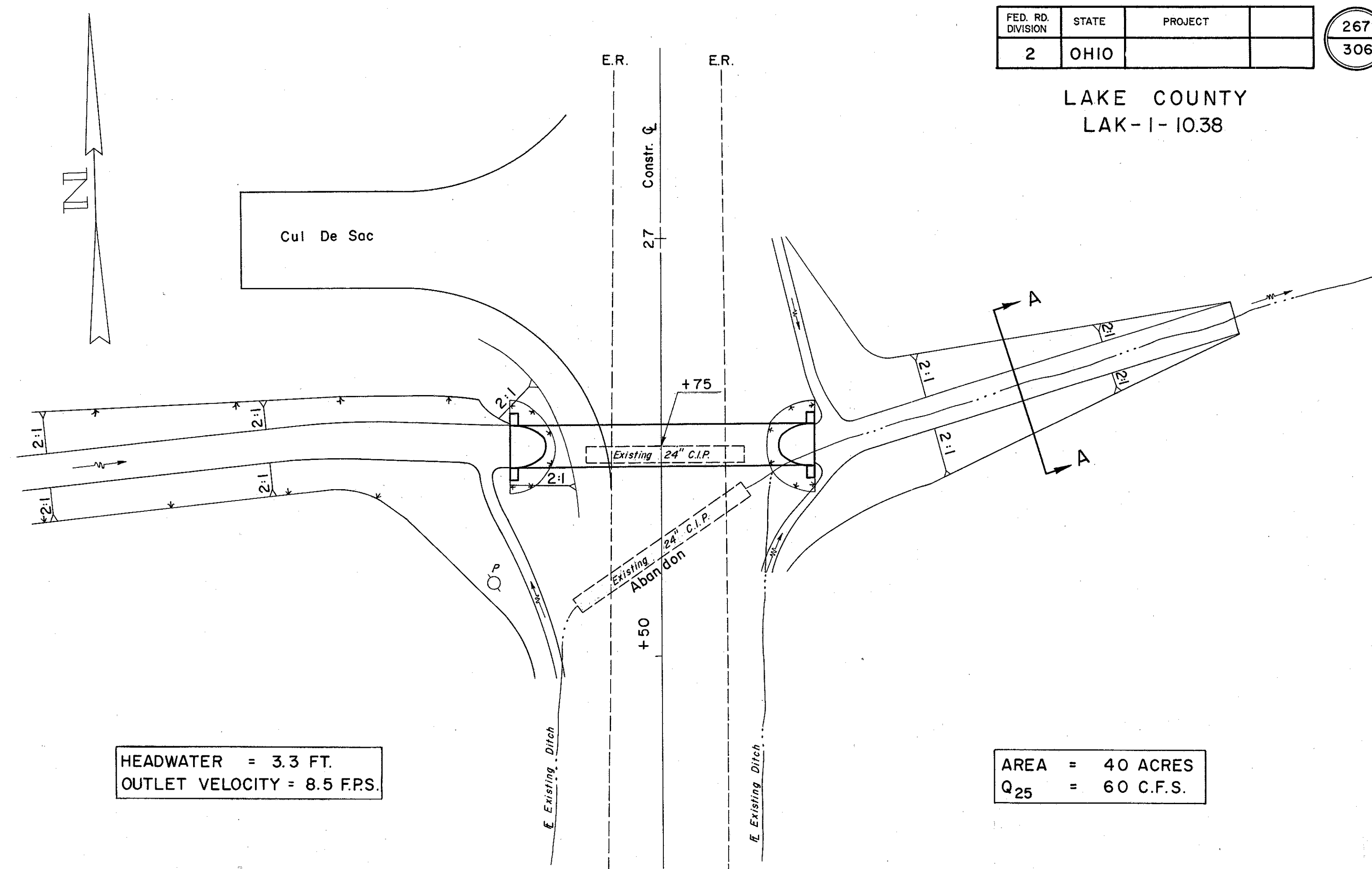
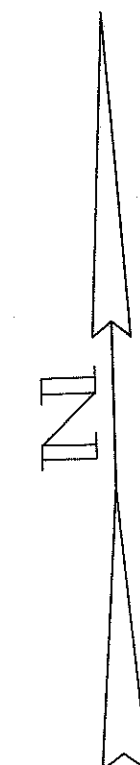
METHOD OF ESTIMATING E-2, EXCAVATION FOR STRUCTURES

**CULVERT DATA**  
TYPE: S-27 with P.C.4 Endwalls  
SIZE: 15" x 60'  
WORK REQ'D: Build a Pipe Culvert with P.C.4 Endwalls, Excavate Channel on Rt. as shown. Place Sodding Rt. & Lt. as shown.

**ESTIMATED QUANTITIES**

* E-2 Excavation for Structures	16 C.Y.
E-3 Channel Excavation	12 C.Y.
S-1 Concrete for Structures Cl. "E"	0.56 C.Y.
L-10 Sodding	60 S.Y.
S-27 15" Pipe for Roadway Culverts	60 L.F.

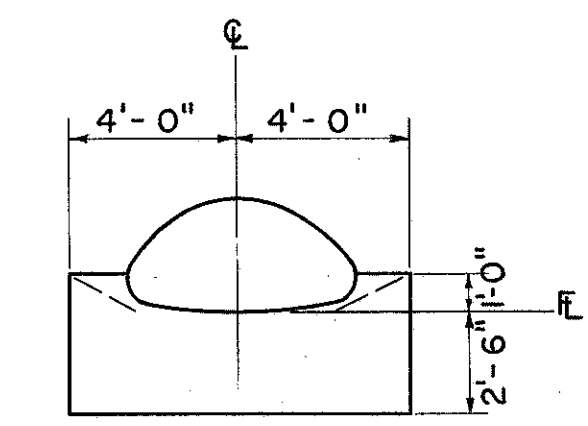
\* Includes Excavation for Headwalls



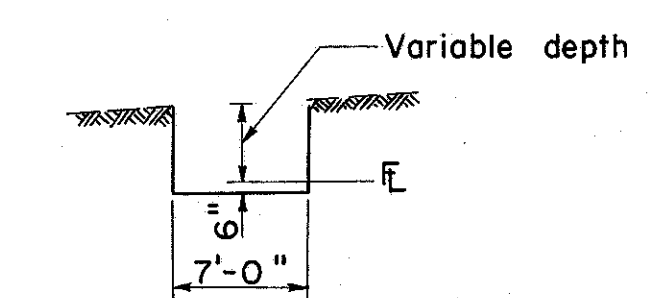
HEADWATER = 3.3 FT.  
OUTLET VELOCITY = 8.5 F.P.S.

SCALE: 1" = 10'-0"

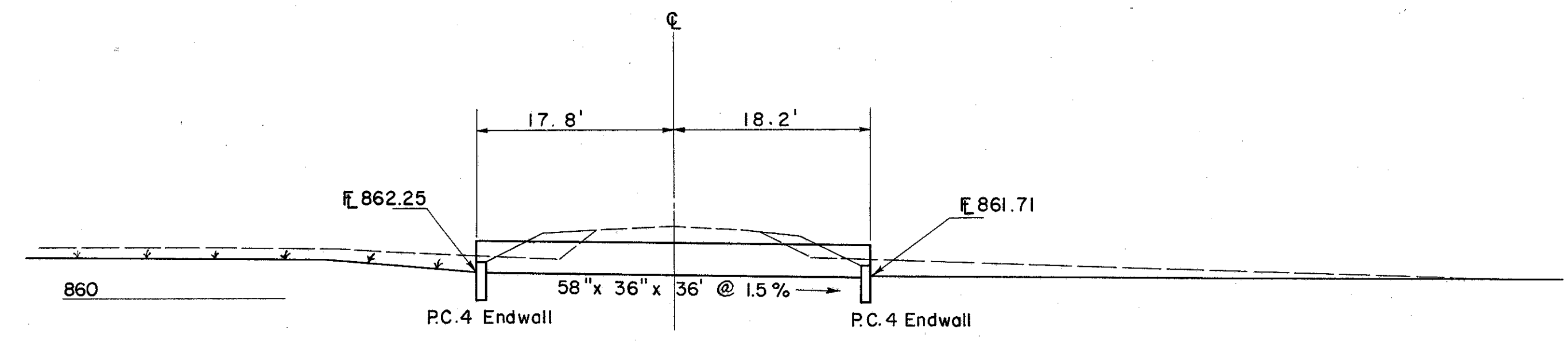
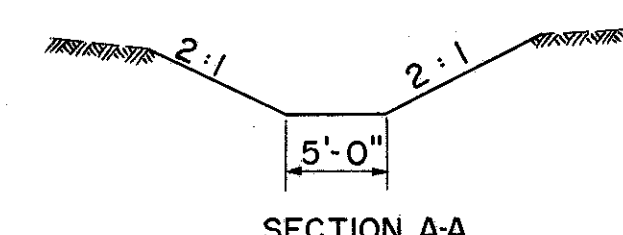
AREA = 40 ACRES  
Q<sub>25</sub> = 60 C.F.S.



P.C. 4 ENDWALL  
For Further Details See Standard Construction Drawing P.C. 4



METHOD OF ESTIMATING E-2 EXCAVATION FOR STRUCTURES



**CULVERT DATA**  
TYPE: P.C. 4, Sec. M-6.4 (i) 8ga.  
SIZE: 58" x 36" x 36"  
WORK REQ'D: Build a Pipe Culvert with P.C.4 Endwalls. Excavate Channel Rt. Place Sodding Lt. & Rt. as shown.

Note: Replacement of existing pavement shall be at the direction of the Engineer. Payment for replacement shall be at the unit price bid for the pertinent items.

**ESTIMATED QUANTITIES**

* E-2 Excavation for Structures	37 C.Y.
E-3 Channel Excavation	13 C.Y.
S-1 Concrete for Structures Cl. "E"	1.8 C.Y.
L-10 Sodding	7 S.Y.
S-27 58" x 36" Corrugated Metal Arch Sec. M-6.4 (i)(d)	36 L.F.

\* Includes Excavation for Headwalls